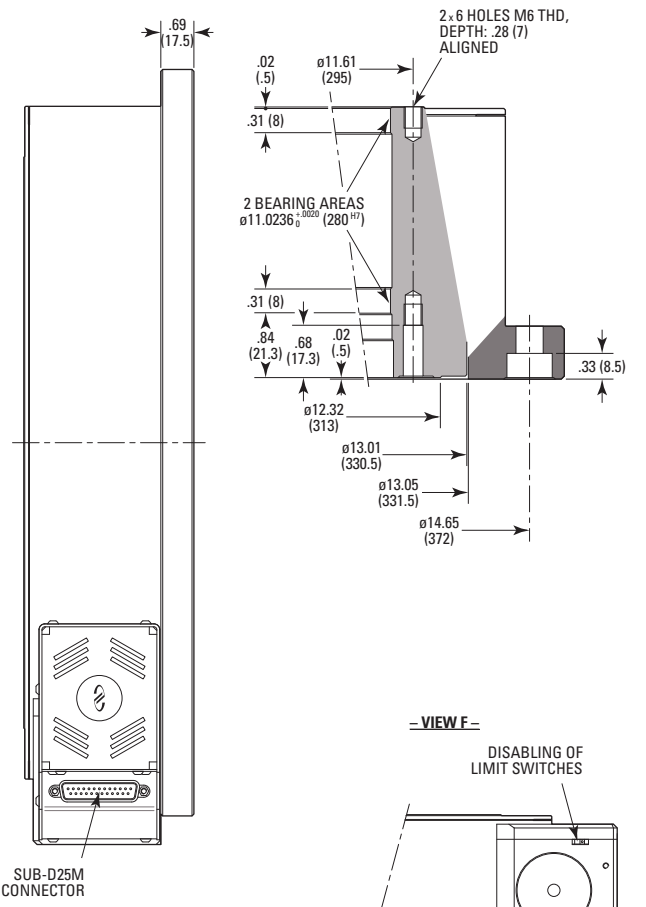
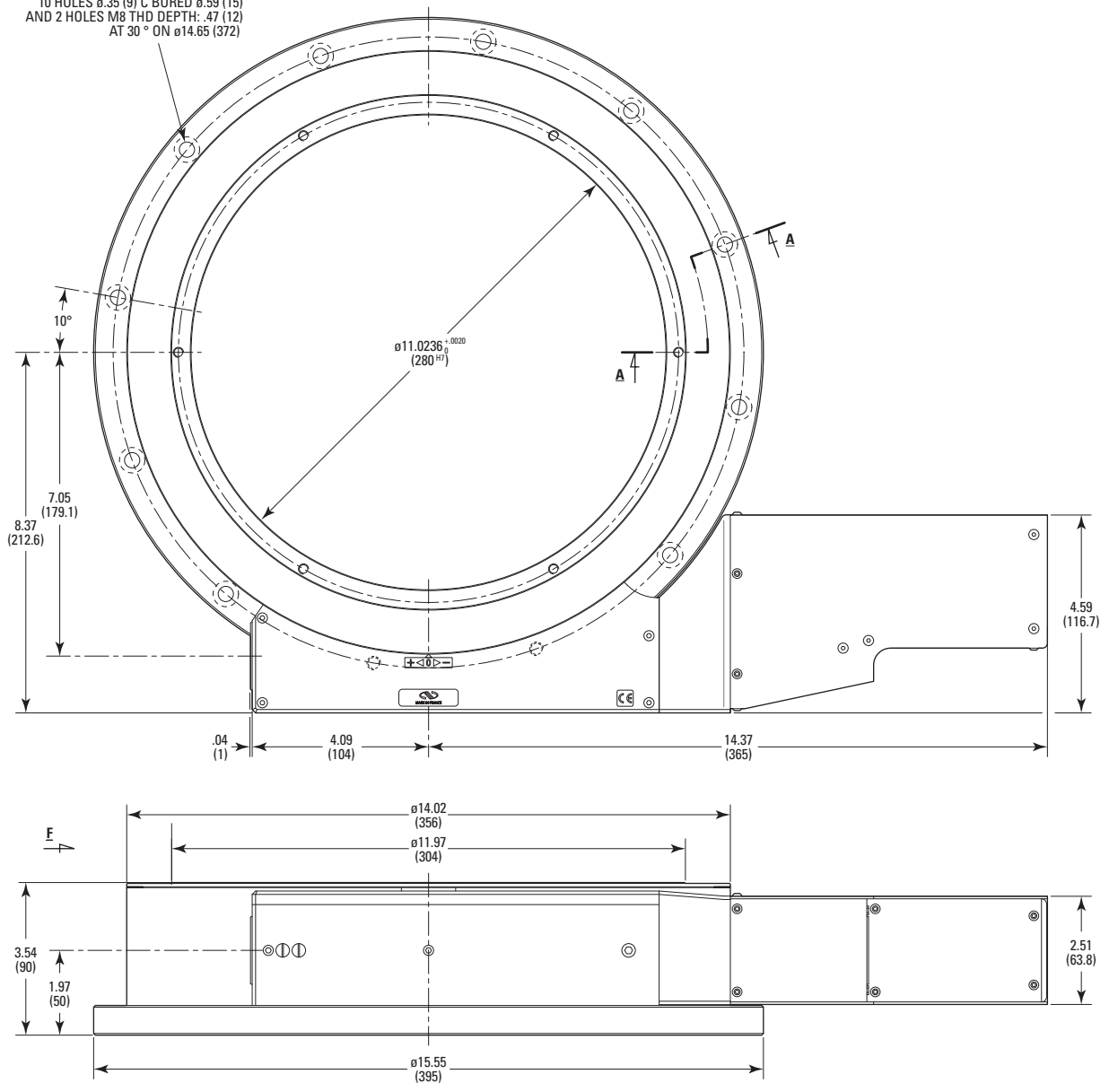


10 HOLES $\phi .35$ (9) C'BORED $\phi .59$ (15)
AND 2 HOLES M8 THD DEPTH: .47 (12)
AT 30° ON $\phi 14.65$ (372)



MODEL SHOWN: RV350BPE AND RV350CCHL

