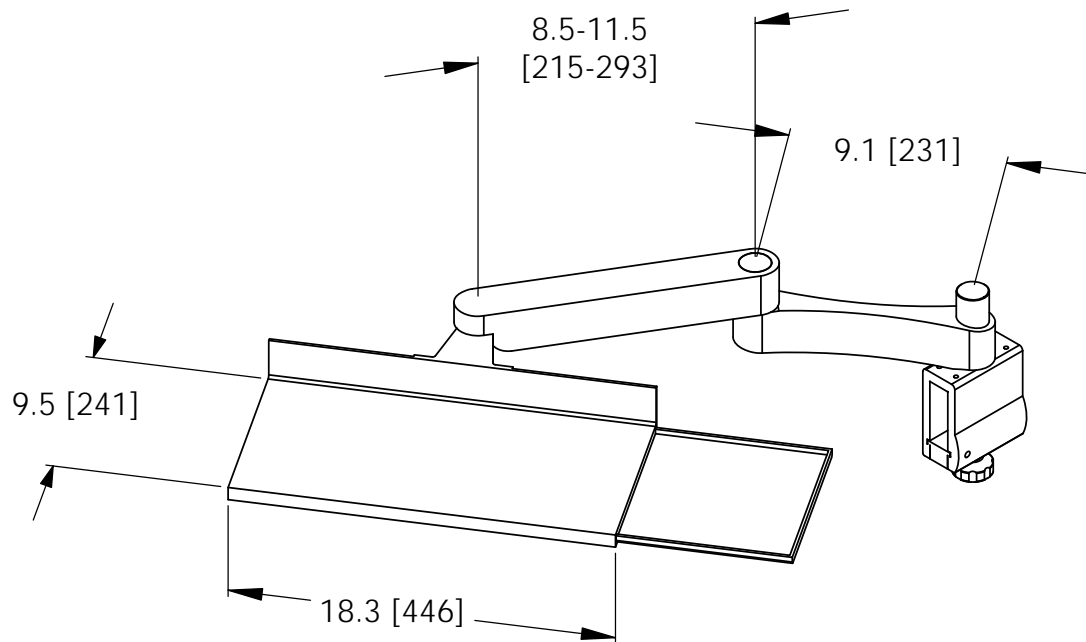


VIS-KBA

- WEIGHT CAPACITY: 0-5 LBS (0-2.3 KG)
- NEED TO BE MOUNTED ON VISION HIPGUARD
- DIMS IN [] ARE IN mm



SIZE A	CAGE CODE	DWG NO.	REV XA
SCALE 1:1	FILE NAME VIS-KBA OUTLINE	SHT 2 OF 3	

SIZE A	CAGE CODE	DWG NO.	REV XA
SCALE 1:1	FILE NAME VIS-KBA OUTLINE	SHT 3 OF 3	