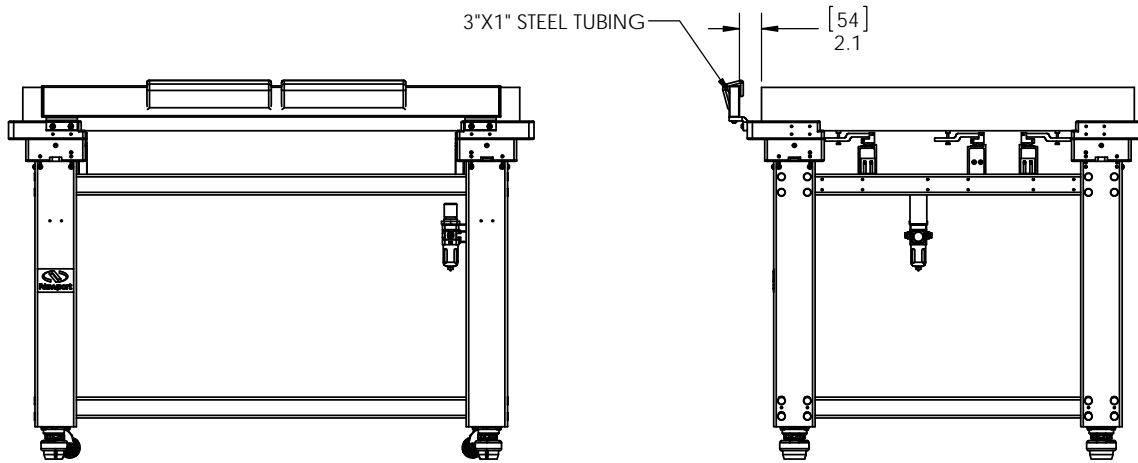


MOUNTING POSITION FOR WORKSTATION WITH 4" BREADBOARD



MOUNTING POSITION FOR WORKSTATION WITH 2" BREADBOARD

PART NUMBER	A in [mm]	B in [mm]
VIS-HG-24	24 [600]	20.3 [517]
VIS-HG-30	30 [750]	26.3 [669]
VIS-HG-36	36 [900]	32.3 [821]
VIS-HG-48	48 [1200]	44.3 [1126]
VIS-HG-60	60 [1500]	56.3 [1431]
VIS-HG-72	72 [1800]	68.3 [1736]



NOTES:

1. VIS-HG-XX CAN BE ADJUSTED FOR HEIGHTS CORRESPONDING TO BREADBOARDS OF 2" THK AND 4" THK.
2. WORKSTATION IS SHOWN FOR DESMONSTRATION PURPOSE AND DOESN'T COME WITH VIS-LSS SHELF PRODUCT.
3. DIMS IN [] ARE IN mm

