

Super Agilis Series

CONEX-SAG Controller with SAG-LSxx Linear Stages

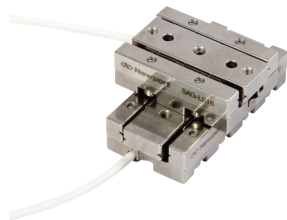


The CONEX-SAG-LSxx is a fast piezo motor linear stage integrated with an open-loop piezo motor controller/driver. For out-of-the box control, the CONEX-SAG controller is preconfigured and delivered with a Super Agilis SAG-LSxx linear stage.

The CONEX-SAG is a very compact and inexpensive single axis motion controller/driver.

The controller comes with the familiar CONEX GUI, simple and intuitive to use and conveniently accessible via USB, which also supplies power to the controller.

The linear stages of the CONEX-SAG-LSxx is based on the Super Agilis SAG-LSxx linear stages, which have a very small footprint while delivering sub-micron precision motion. Like the controller, the linear stages are very compact with a low profile, 12 mm, but are capable of 16, 32 and 48 mm travel, and 100 nm MIM. The stages are also designed to easily stack as XY stage, without requiring an adapter plate, resulting in only 24 mm height.



Specifications

Travel Range (mm)	16	32	48
Maximum Speed (mm/s)	>10	>10	>10
Material	Stainless Steel	Stainless Steel	Stainless Steel
Centered Load Capacity (N)	20	30	30
Axial/Vertical Load Capacity (N)	2	2	2
Holding Force (N)	3	3	3
Minimum Incremental Motion (nm)	100	100	100
Cable Length (m)	1.5	1.5	1.5
Limit Switches	Not Available	Not Available	Not Available
Operating Temperature (°C)	10 to 35	10 to 35	10 to 35
Weight, Without Cable (g)	65	93	127

Key Features

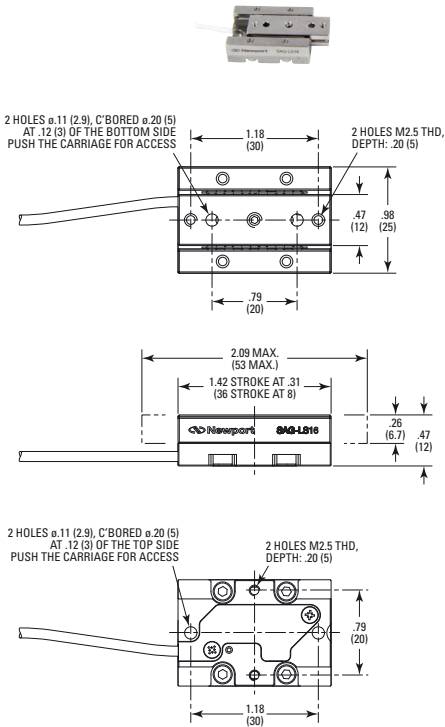
- Fast: >10 mm/s
- Compact size
- Only 24 mm height for XY stack
- Easy to stack
- Stainless steel parts
- Integrated and easy to setup
- Easy to use GUI
- USB Plug-and-play communication:
Optional RS-232 and RS-485



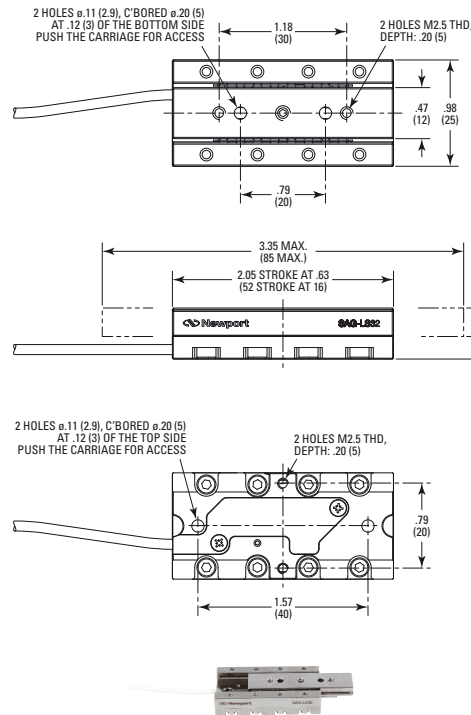
Super Agilis Series with Open-Loop Piezo Motor Controller/Driver

Dimensions

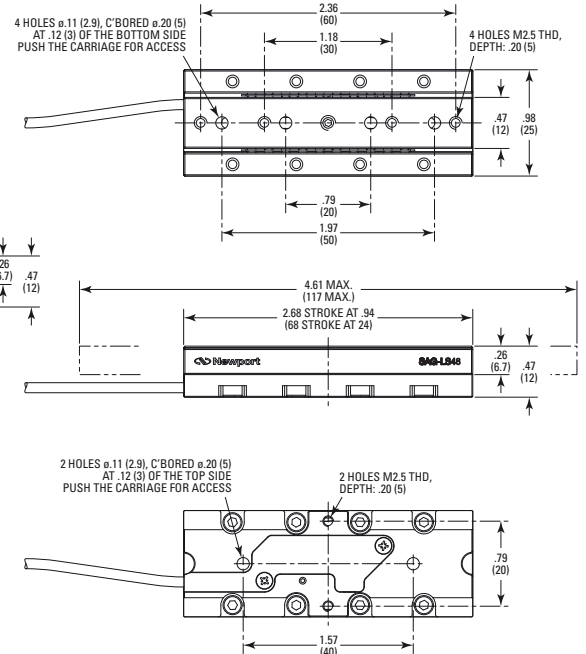
SAG-LS16 Stage



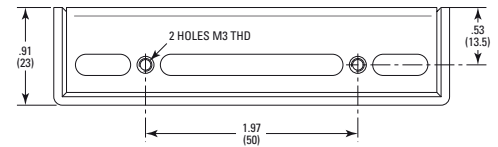
SAG-LS32 Stage



SAG-LS48 Stage



CONEX-SAG Controller



Ordering Information

Stages

Stages	Code
16 mm Travel Stage & CONEX-SAG Controller	CONEX-SAG-LS16
32 mm Travel Stage & CONEX-SAG Controller	CONEX-SAG-LS32
48 mm Travel Stage & CONEX-SAG Controller	CONEX-SAG-LS48

Accessories

Base Plate, Mounts Multiple CONEX Controllers	CONEX-BP
---	----------

