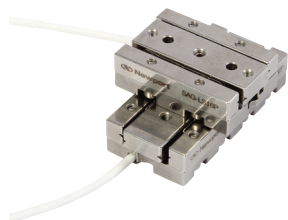


Super Agilis Series

CONEX-SAG-P Controller with SAG-LSxxP Linear Stages



The CONEX-SAG-LSxxP is a fast piezo motor linear stage integrated with a closed-loop piezo motor controller/driver. For out-of-the box control, the CONEX-SAG-P controller is preconfigured and delivered with a Super Agilis SAG-LSxxP linear stage with encoder feedback. The CONEX-SAG-P is a very compact and inexpensive single axis closed-loop motion controller/driver. The controller comes with the familiar CONEX GUI, simple and intuitive to use and conveniently accessible via USB, which also supplies power to the controller. The linear stages of the CONEX-SAG-LSxxP is based on the Super Agilis SAG-LSxxP linear stages, which have a very small footprint while delivering sub-micron precision motion. Like the controller, the linear stages are very compact with a low profile, 12 mm, but are capable of 16, 32 and 48 mm travel, and 25 nm MIM. The stages are also designed to easily stack as XY stage, without requiring an adapter plate, resulting in only 24 mm height.



Specifications

Travel Range (mm)	16	32	48
Maximum Speed (mm/s)	>10	>10	>10
Material	Stainless Steel	Stainless Steel	Stainless Steel
Centered Load Capacity (N)	20	30	30
Axial/Vertical Load Capacity (N)	2	2	2
Holding Force (N)	3	3	3
Bi-directional Repeatability (nm)	25	25	25
Minimum Incremental Motion (nm)	25	25	25
Cable Length (m)	1.5	1.5	1.5
Limit Switches	Not Available	Not Available	Not Available
Operating Temperature (°C)	10 to 35	10 to 35	10 to 35
Weight, Without Cable (g)	65	93	127

Key Features

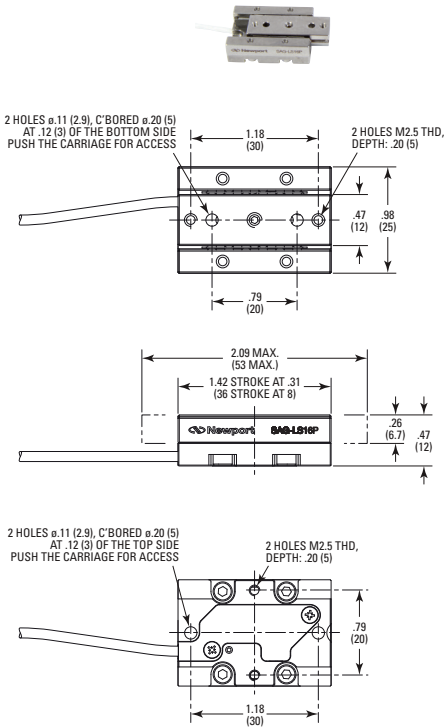
- Fast: >10 mm/s
- Compact size
- Only 24 mm height for XY stack
- Easy to stack
- Stainless steel parts
- Integrated and easy to setup
- Easy to use GUI
- USB Plug-and-play communication:
Optional RS-232 and RS-485



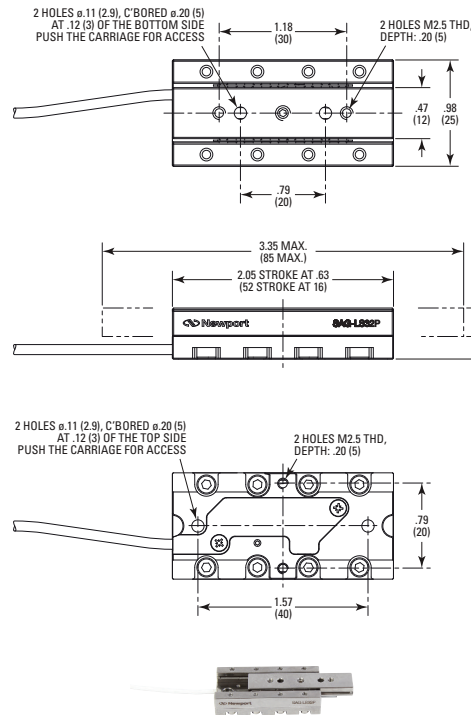
Super Agilis Series with Closed-Loop Piezo Motor Controller/Driver

Dimensions

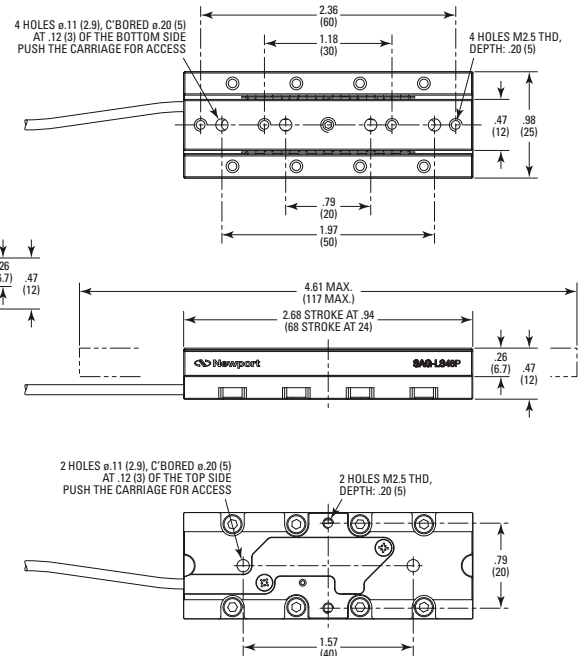
SAG-LS16P Stage



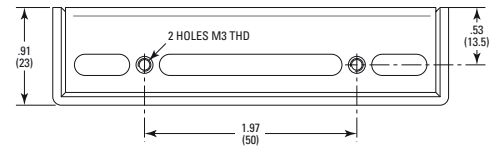
SAG-LS32P Stage



SAG-LS48P Stage



CONEX-SAG-P Controller



Ordering Information

Stages

	Code
16 mm Travel Stage & CONEX-SAG-P Controller	CONEX-SAG-LS16P
32 mm Travel Stage & CONEX-SAG-P Controller	CONEX-SAG-LS32P
48 mm Travel Stage & CONEX-SAG-P Controller	CONEX-SAG-LS48P

Accessories

Base Plate, Mounts Multiple CONEX Controllers	CONEX-BP
---	----------

