

High-Performance Precision Rotation Stages

RV Series



The RV Series rotation stages provide high-precision angular positioning accuracy combined with high load capacity. There are five stage sizes and six drive configurations available, optimizing load capacity, torque, speed and resolution for a variety of operating conditions.

All RV stages are constructed of tool steel, with rotation accuracy ensured by ground bearing surfaces. A double row of preloaded bearings allows for high off-center loads in a reduced footprint. The single monolithic design offers improved stiffness without compromising dynamic performance. The largest RV stage can bear up to

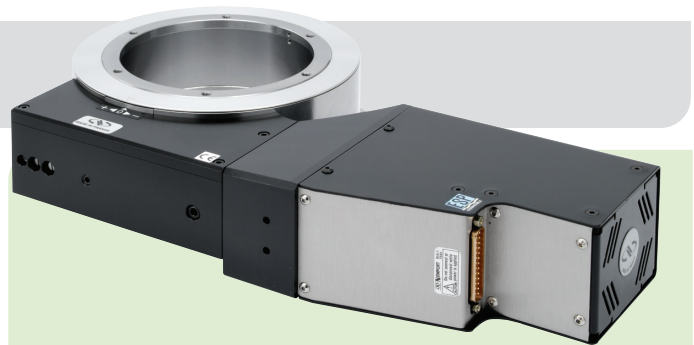


6500 N or rotate up to 80°/s, while maintaining less than 4 μm eccentricity.

Precise rotation is ensured by a precision ground and hardened worm gear. A rotary encoder mounted on the worm gear shaft provides 0.001° position feedback resolution (0.00025° resolution with RVS80CC) on the standard configurations. For more demanding

Design Details

Base Material	Stainless Steel
Bearings	Double row ball bearings
Drive Mechanism	Ground worm gear with self compensating preload
Worm Gear Ratio	RVS80: 1:180 RV120 to RV350: 1:90
Feedback	RVS80CC: Worm mounted rotary encoder, 8,000 pts/rev, Index pulse RVS80PP: None. One full-step equals 0.01° RV120 to RV350: • except for HAT and HAHLT versions: Worm mounted rotary encoder, 4,000 pts/rev, Index pulse • HAT and HAHLT versions: Direct reading optical encoder on the rotating platen, 20 μm signal period
Limit Switches	Optical, at ±170°, can be disabled for continuous rotation (except HAT, HAHL and HAHLT versions)
Origin	Optical
Cable Length	3 m cable included
Vacuum Compatibility	Vacuum compatible versions are available up to 10 ⁻⁶ hPa using fullstep motor, in this case, max. speed and load capacity have to be divided by two
Weight [lb (kg)]	RVS80: 4.0 (1.8) RV120: 14.3 (6.5) RV120HAT: 17.6 (8) RV160: 19.8 (9) RV160HAT: 24.2 (11) RV240: 35.3 (16) RV240HAT: 41.9 (19) RV350: 57.5 (27) RV350HAT: 72.8 (33)



Features:

- Precision 80–350 mm diameter rotation stages
- Monolithic design ensures high structural stiffness
- Ideal for high-load application
- High-accuracy versions with direct reading encoder and better than 0.0001° (0.36 arcsec) resolution

applications, the HAT and HAHLT options are available on the RV120 to RV350 models. These stages are equipped with a direct reading optical encoder attached to the moving platen for superior resolution and accuracy.

The selection of the drive configuration should be based on the precision and speed requirements relative to the inertia of the payload.

Motor Drive Versions

Stepper motor-driven stages are available in full step BPE and mini-step PP or BPP versions. The mini-step drive version enables high angular speed motions up to 20°/s. The larger models, RV120BPP to RV350BPP, feature a worm mounted rotary encoder for improved accuracy and repeatability. The encoder also provides a method for detecting motor stalling, an important feature for applications with high acceleration ramps and high torques or payload inertias.

The RVS80PP does not use an encoder. Instead, position is attained by the number of commanded steps and micro-steps. The high output torque of the stepper motor, combined with extensive performance tests, ensures position accuracy as long as the recommended load, torque and payload inertia are not exceeded. The RVS80PP provides very high motion sensitivity with good linearity between commanded micro-steps and the actual motion of the stage at a very reasonable price. The fullstep PE version is equipped with a reduction gear providing higher torque. This version is only available on the models RV120 to RV350 and is recommended for high inertia payloads and vacuum applications.

DC motor-driven stages are available in high speed (CC and HAT) and high torque (CCHL and HAHLT) versions. The CC and HAT versions enable speeds up to 80°/s. The HAT features a high-resolution direct reading encoder and tachometer for superior repeatability, position stability and speed regulation. The CCHL and HAHLT versions are equipped with a reduction gear

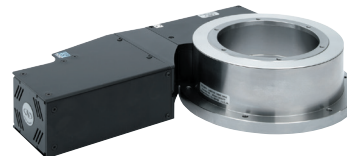
providing higher torque and payload inertia capacity. The HAHLT features a high-resolution direct reading encoder and tachometer for superior repeatability, position stability and speed regulation.



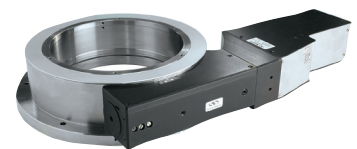
RVS80CC



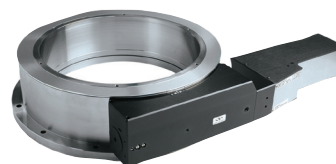
RV120HAT-F



RV160BPP



RV240CCHL



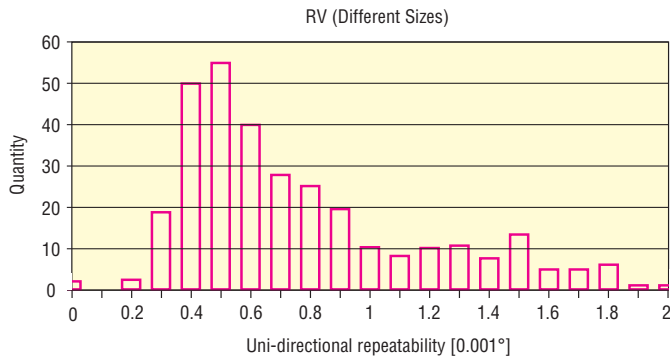
RV350HAHLT

Specifications

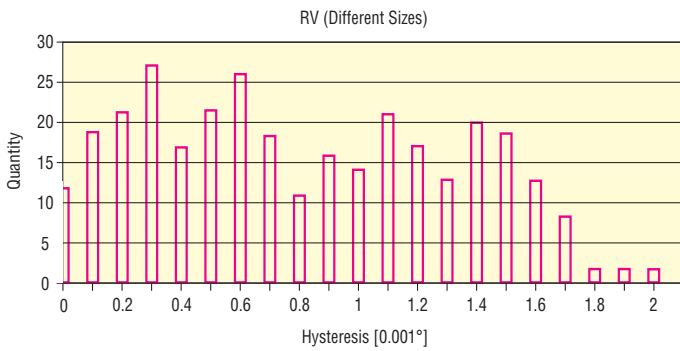
Travel Range (°)	360 continuous	With disabled limits, except RV-HAT & HAHLT versions
	±170	RV-HAT & HAHLT versions
Minimum Incremental Motion (mdeg)	1.0	Except RVS80PP and RV-HAT & HAHLT versions
	0.75	RV-HAT versions
	0.2	RVS80PP and RV-HAHLT versions
Uni-directional Repeatability ⁽¹⁾ (mdeg) Typical (Guaranteed)	±0.5 (±1.0)	RVS80PP
	±0.36 (±1.0)	RVS80CC
	±0.35 (±1.0)	Except RV-HAT & HAHLT versions
	±0.09 (±0.1)	RV120HAT & HAHLT
	±0.08 (±0.1)	RV160HAT & HAHLT
	±0.07 (±0.1)	RV240 & RV350HAT & HAHLT
Bi-directional Repeatability ⁽¹⁾ (mdeg) Typical (Guaranteed)	±2.8 (±3.5)	RVS80PP
	±1.2 (±1.5)	RVS80CC
	±0.7 (±2.0)	RV120 & RV160 Except HAT & HAHLT
	±0.6 (±2.0)	RV240 & RV350 Except HAT & HAHLT
	±0.45 (±0.6)	RV160HAT & HAHLT
	±0.4 (±0.6)	RV120 RV240 & RV350HAT & HAHLT
Absolute Accuracy ⁽¹⁾ (mdeg) Typical (Guaranteed)	±7.0 (±10)	RVS80
	±4.0 (±7.5)	RV120 Except HAT & HAHLT
	±4.0 (±5.0)	RV160 Except HAT & HAHLT
	±3.5 (±5.0)	RV240 & RV350 Except HAT & HAHLT
	±2.0 (±2.5)	RV-HAT & HAHLT versions
Origin Repeatability (mdeg)	±10	RVS80PP
	±0.5	Except RV-HAT & HAHLT versions
	±0.25	RVS80CC
	±0.1	RV-HAT & HAHLT versions
Maximum Speed (°/s)	80	RV-CC & HAT versions
	40	RVS80CC
	20	RVS80PP & RV-BPP versions
	16	RV-CCHL, HAHL & HAHLT versions
	2	RV-BPE versions
Wobble ⁽¹⁾⁽²⁾ (μrad) Typical (Guaranteed)	±8.0 (±20)	RVS80
	±5.0 (±10)	RV120 & RV160
	±4.0 (±8.0)	RV 240 & RV350
Eccentricity, Guaranteed ⁽¹⁾ (μm) Typical (Guaranteed)	±0.5 (±2.0)	RVS80
	±0.6 (±2.0)	RV120
	±0.8 (±2.0)	RV160 & RV240
	±1.4 (±2.0)	RV350

1) For the definition of Typical and Guaranteed specifications see "Motion Basics Terminology & Standards" Tutorial at www.newport.com

2) To obtain arcsec units, divide μrad value by 4.8.



Uni-directional repeatability plot for RV Series stages. The typical (mean) uni-directional repeatability is 0.001°. The guaranteed value is 0.002°.



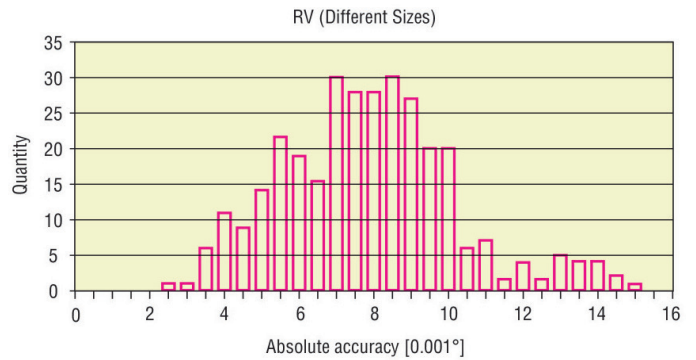
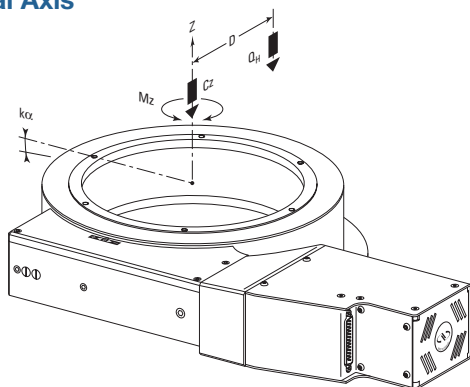
Reversal value (Hysteresis) plot for RV Series stages. The typical (mean) reversal value is 0.001°. The guaranteed value is 0.002°.

Load Characteristics

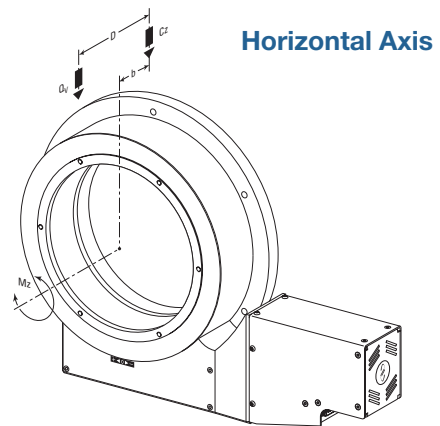
	RVS80	RV120	RV160	RV240	RV350
Cz, Normal centered load capacity (N)	900	1800	2700	4000	6500
a, construction parameter (mm)	30	40	50	70	100
b ⁽¹⁾ , (mm) except HAT, HAHL & HAHLT for HAT, HAHL & HAHLT	39	53	57	59	73
kα, radial compliance (μrad/Nm)	3.5	1.5	0.6	0.3	0.1
Q _H , Off-center load, vertical rotation axis	$Q_H \leq Cz \div (1 + D/a)$				
Q _V , Off-center load, horizontal rotation axis	$Q_V \leq Cz/2 \div (1 + D/a)$				

⁽¹⁾ Construction parameter: Distance between the top surface of the RV stage and the bearing center.

Vertical Axis



On-axis accuracy plot for RV Series stages. The typical (mean) on-axis accuracy is 0.001°. The guaranteed value is 0.002°.



Example: Q_V at a distance D of 100 mm, for RV160 rotation stage.

$$Q_V = \frac{2700}{[2 \times (1 + 100/50)]} = 450 \text{ N}$$

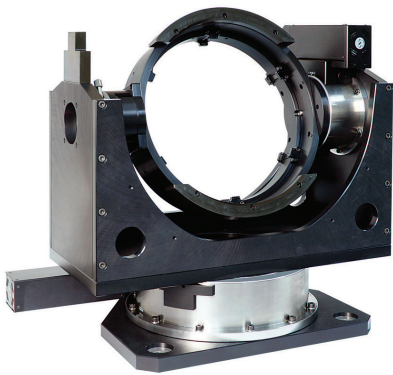
In this example, the load Q_V is placed at 43 mm (100 - 57) from the mounting plane of the stage.

Example: Q_H at a distance D of 100 mm, for RV160 rotation stage.

$$Q_H = \frac{2700}{(1 + 100/50)} = 900 \text{ N}$$

Torque and Payload Inertia

This table lists the maximum torque and the maximum payload inertia for all RV rotation stages. The maximum payload inertia equals the maximum kinetic energy that the rotation stage can absorb in the event of a sudden stop at the maximum speed. Likewise, this is the maximum inertia to accelerate from stop to the maximum stage speed in 250 ms. Some RV stages can handle higher payload inertias at reduced speed. For detailed information, please contact a Newport Applications Engineer.



This Azimuth/Elevation gimbal system positions a 350 mm dia. mirror that can be used for laser based qualification and characterization of precision optical sensors, LIDAR analysis, or target tracking.

Model	Max. Torque	Max. Inertia	Max. Speed
	Mz (Nm)	Iz (kg.m ²)	(°/s)
RVS80PP	2	0.5	20
RVS80CC	2	0.1	40
RV120BPP	15	1	20
RV120BPE	20	70	2
RV120CC	10	0.2	80
RV120CCHL	15	7	16
RV120HAT	4	0.9	80
RV120HAHLT	6	7	16
RV160BPP	20	3	20
RV160BPE	35	100	2
RV160CC	11	0.7	80
RV160CCHL	20	24	16
RV160HAT	6	1	80
RV160HAHLT	8	8	16
RV240BPP	22	4	20
RV240BPE	60	150	2
RV240CC	13	1.5	80
RV240CCHL	30	38	16
RV240HAT	7	1.1	80
RV240HAHLT	10	10	16
RV350BPP	25	4	20
RV350BPE	80	220	2
RV350CC	14	1.8	80
RV350CCHL	30	56	16
RV350HAT	7	1.2	80
RV350HAHLT	10	10	16

Recommended Controllers/Drivers

Model	Description
XPS-D	1- to 8-axis universal high-performance motion controller/driver
XPS-DRV11	Universal digital driver card for stepper, DC and direct motors
XPS-RL	1- to 4-axis universal high-performance motion controller/driver
XPS-DRV01	PWM drive module for DC brush and stepper motors, 3 A/43 V max.
XPS-DRV03	High performance PWM drive module for DC motors, 5 A/43 V max.
ESP302	1- to 3-axis motion controller/driver
SMC100CC	Single-axis DC motor controller/driver
SMC100PP	Single-axis stepper motor controller/driver

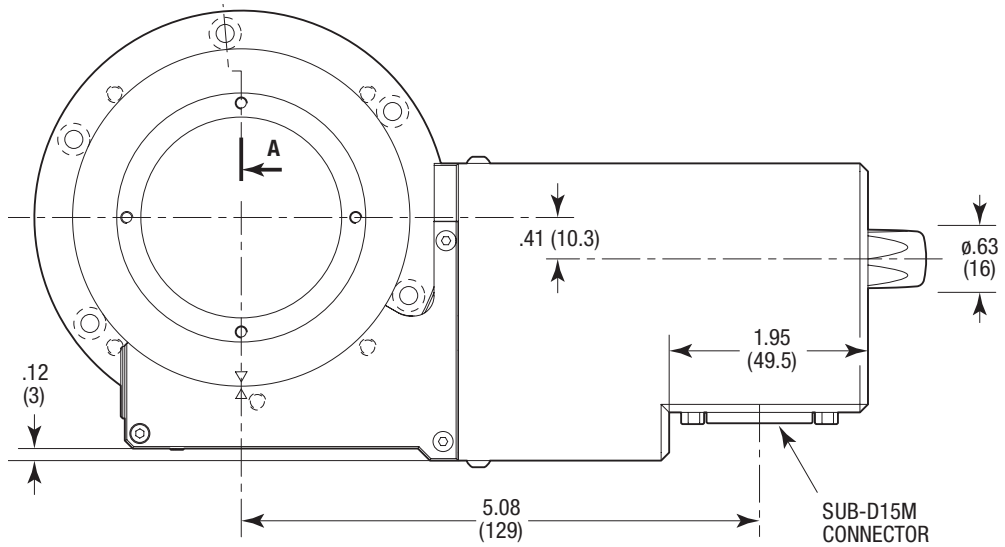
Compatible Controllers/Drivers

Family	Max. Power	XPS ⁽¹⁾	ESP302 ⁽¹⁾	Compatibility	
	Consumption (W)	Driver Module		SMC100CC ⁽¹⁾	SMC100PP ⁽¹⁾
RV120CC to RV350CC	130	XPS-DRV03			
RV120CCHL	40	XPS-DRV03	√		
RV160CCHL to RV350CCHL	130	XPS-DRV03			
RV120HAT to RV350HAT	170	XPS-DRV03			
RV120HAHLT to RV350HAHLT	170	XPS-DRV03			
RV120PE to RV350PE	60	XPS-DRV01	√		
RV120BPP to RV350BPP	60	XPS-DRV01	√		
RVS80CC	40	XPS-DRV01	√	√	
RVS80PP	20	XPS-DRV01	√		√ ⁽²⁾

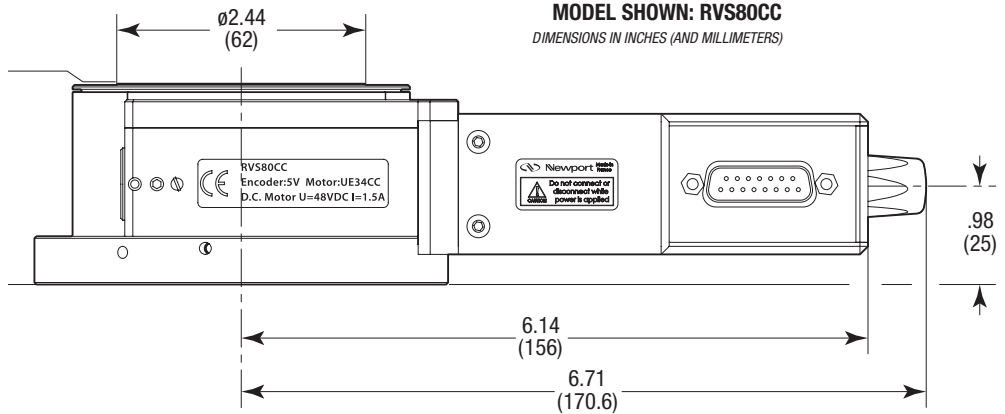
1) Enhanced System Performance (ESP) Controller.

2) Compatible, but MIM is 1/20 th of a full step.

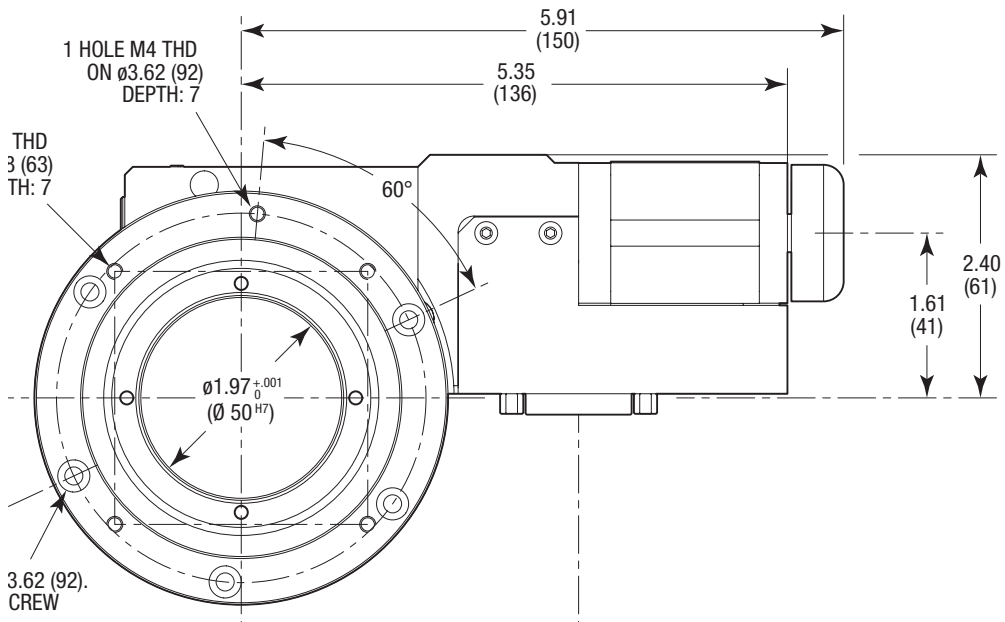
RVS80 Models



MODEL SHOWN: RVS80CC
DIMENSIONS IN INCHES (AND MILLIMETERS)

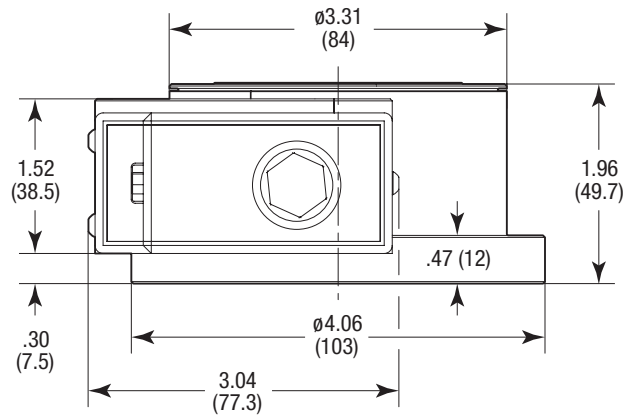
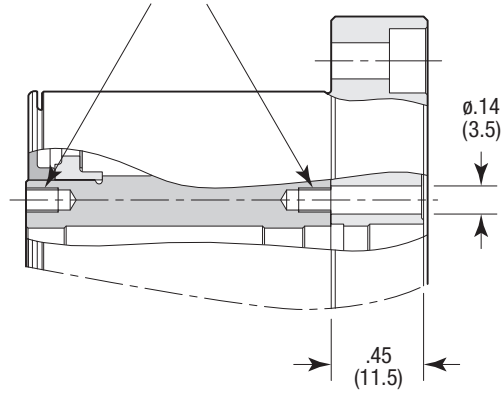


BOTTOM VIEW OF THE RVS80PP



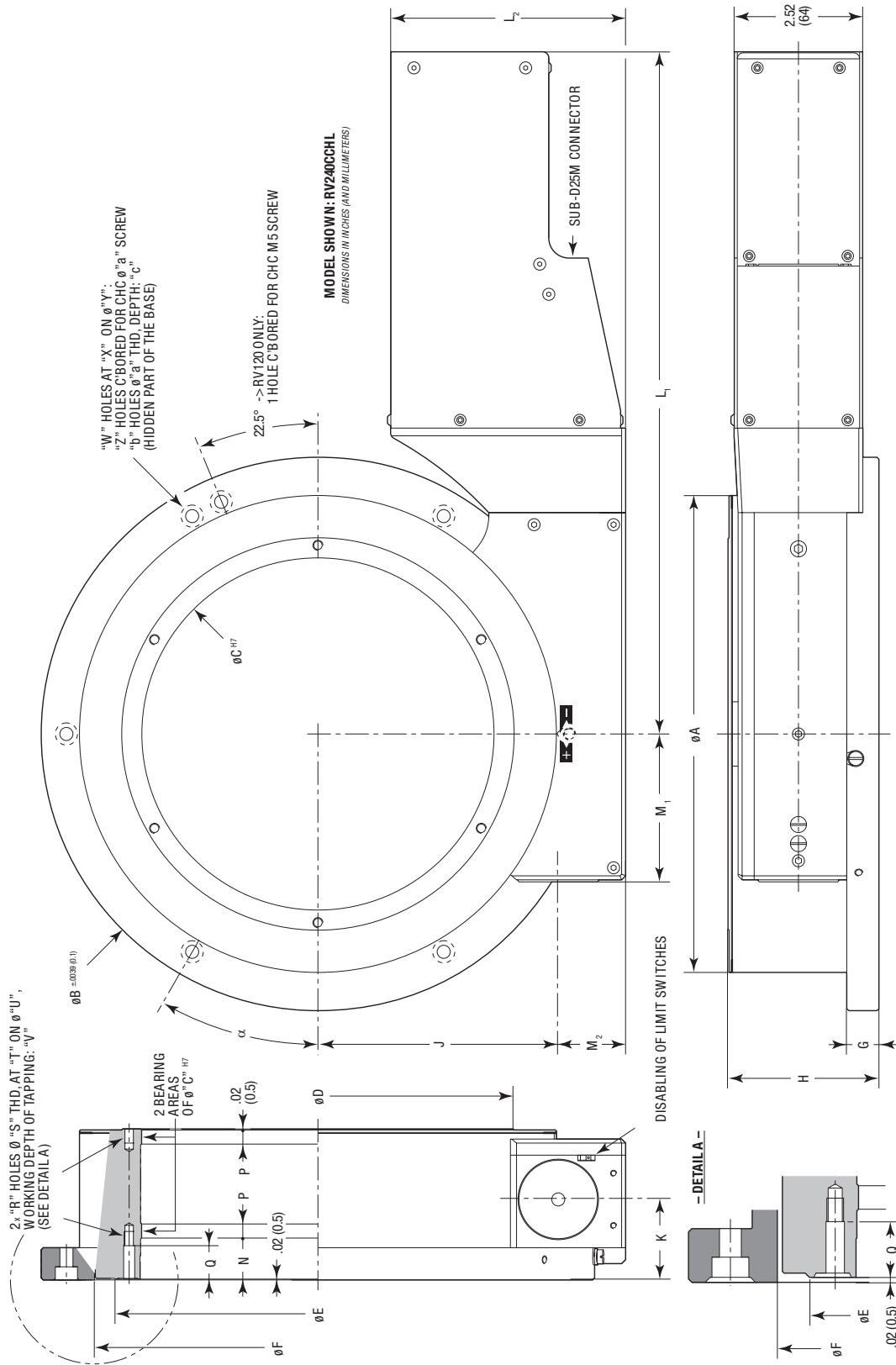
A - A

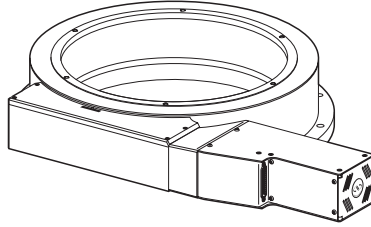
2 x 4 HOLES M3 THD ON $\phi 2.24$ ($\phi 57$),
 DEPTH: .16 (4)
 TOP AND BOTTOM HOLES ARE ALIGNED



RVS80PP and RVS80CC rotations stages.

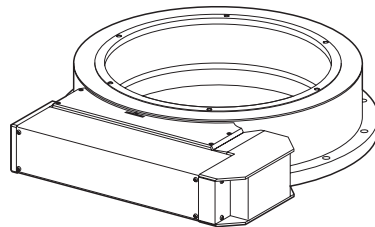
RV120 to RV350
BPP, BPE, CC & CCHL Models





ROTATION STAGE, DIRECT MOTOR

MODEL	L ₁				M ₁	L ₂	M ₂
	BPP	BPE	CC	CCHL			
RV120	9.90 (251.5)	9.90 (251.5)	9.90 (251.5)	11.87 (301.5)	1.79 (45.5)		
RV160	10.39 (264)	12.36 (314)	10.39 (264)	12.36 (314)	2.13 (54)	4.61	1.32
RV240	11.38 (289)	13.35 (339)	11.38 (289)	13.35 (339)	2.89 (73.5)	117	33.5
RV350	12.40 (315)	14.37 (365)	12.40 (315)	14.37 (365)	4.13 (105)		



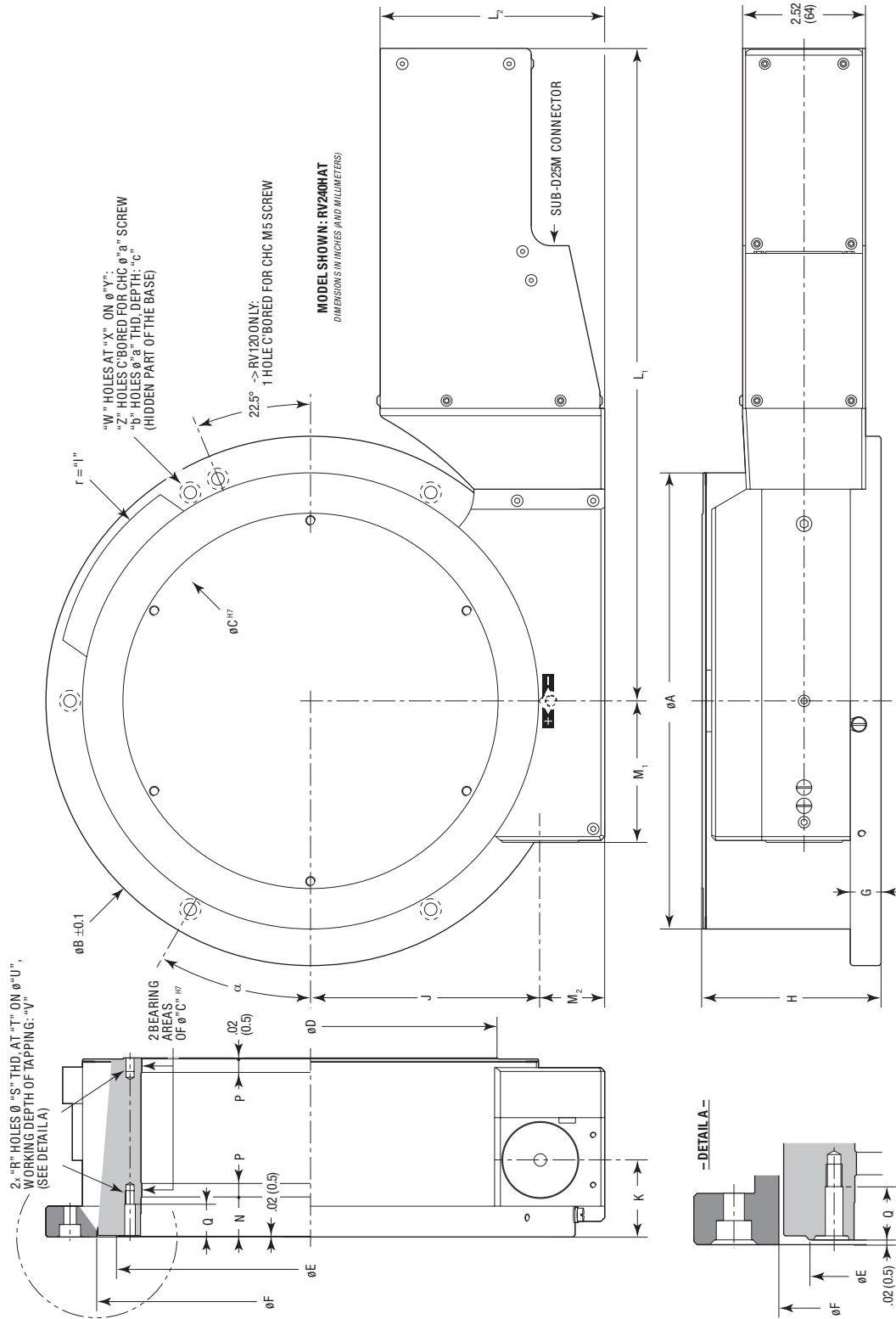
ROTATION STAGE, FOLDED MOTOR

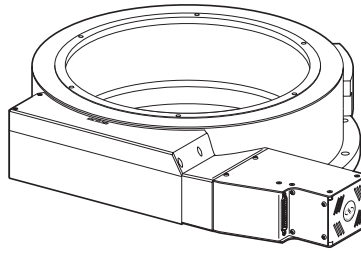
MODEL	L ₁	M ₁	L ₂	M ₂
RV120	6.12 (155.5)	2.15 (54.5)		
RV160	6.61 (168)	2.48 (63)	6.32	4.35
RV240	7.60 (193)	3.25 (82.5)	160.5	110.5
RV350	8.62 (219)	4.49 (114)		

MODEL	A	B	C	D	E	F	G	H	J	K	N	P	Q
RV120	4.96 (126)	6.10 (155)	3.07 (78)	3.70 (94)	3.84 (97.5)	4.55 (115.5)	.55 (14)	2.68 (68)	2.48 (63)	1.34 (34)	.75 (19)	.16 (4)	.59 (15)
RV160	6.42 (163)	7.56 (192)	4.33 (110)	5.12 (130)	5.22 (132.5)	5.98 (152)	.55 (14)	2.80 (71)	3.21 (81.5)	1.42 (36)	.73 (18.5)	.20 (5)	.57 (14.5)
RV240	9.33 (237)	10.83 (275)	6.89 (175)	7.68 (195)	7.93 (201.5)	8.74 (222)	.63 (16)	2.95 (75)	4.70 (119.5)	1.58 (40)	.80 (20.3)	.28 (7)	.65 (16.6)
RV350	14.02 (356)	15.55 (395)	11.02 (280)	11.97 (304)	12.32 (313)	13.05 (331.5)	.69 (17.5)	3.54 (90)	7.05 (179)	1.97 (50)	.84 (21.3)	.31 (8)	.68 (17.3)

MODEL	R	S	T	U	V	W	X	Y	Z	a	b	c	α
RV120	4	M4	90°	3.44 (87.5)	.24 (6)	6	60°	5.39 (137)	5	M5	1	7	17.5°
RV160	6	M5	60°	4.72 (120)	.28 (7)	6	60°	6.85 (174)	5	M5	1	7	25°
RV240	6	M5	60°	7.38 (187.5)	.28 (7)	6	60°	9.84 (250)	5	M6	1	10	30°
RV350	6	M6	60°	11.61 (295)	.28 (7)	12	30°	14.65 (372)	10	M8	2	12	10°

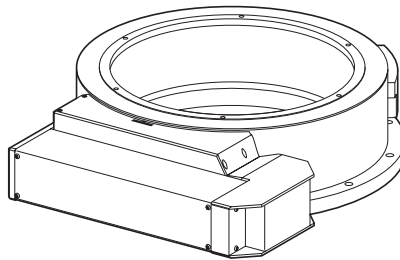
RV120 to RV350
HAT, HAHL & HAHLT Models





ROTATION STAGE, DIRECT MOTOR

MODEL	L ₁		M ₁	L ₂	M ₂
	HAT	HAHL & HAHLT			
RV120	11.87 (301.5)	13.84 (351.5)	1.79 (45.5)		
RV160	12.36 (314)	14.06 (357)	2.13 (54)	4.61 (117)	1.32 (33.5)
RV240	13.35 (339)	15.04 (382)	2.89 (73.5)		
RV350	14.37 (365)	16.06 (408)	4.13 (105)		



ROTATION STAGE, FOLDED MOTOR

MODEL	L ₁	M ₁		L ₂	M ₂
		HAT-F	HAHLT & HAHLT-F		
RV120	6.12 (155.5)	2.15 (54.5)	3.13 (79.5)		
RV160	6.61 (168)	2.48 (63)	4.23 (107.5)	6.32 (160.5)	4.35 (110.5)
RV240	7.60 (193)	3.25 (82.5)	3.25 (82.5)		
RV350	8.62 (219)	4.49 (114)	4.49 (114)		

MODEL	A	B	C	D	E	F	G	H	I	J	K	N	P	Q
RV120	4.96 (126)	6.10 (155)	3.07 (78)	3.70 (94)	3.84 (97.5)	4.55 (115.5)	.55 (14)	3.39 (86)	3.15 (80)	2.48 (63)	1.34 (34)	.75 (19)	.16 (4)	.59 (15)
RV160	6.42 (163)	7.56 (192)	4.33 (110)	5.12 (130)	5.22 (132.5)	5.98 (152)	.55 (14)	3.50 (89)	3.86 (98)	3.21 (81.5)	1.42 (36)	.73 (18.5)	.20 (5)	.57 (14.5)
RV240	9.33 (237)	10.83 (275)	6.89 (175)	7.68 (195)	7.93 (201.5)	8.74 (222)	.63 (16)	3.66 (93)	5.22 (132.5)	4.70 (119.5)	1.58 (40)	.80 (20.3)	.28 (7)	.65 (16.6)
RV350	14.02 (356)	15.55 (395)	11.02 (280)	11.97 (304)	12.32 (313)	13.05 (331.5)	.69 (17.5)	4.25 (108)	7.44 (189)	7.05 (179)	1.97 (50)	.84 (21.3)	.31 (8)	.68 (17.3)

MODEL	R	S	T	U	V	W	X	Y	Z	a	b	c	α
RV120	4	M4	90°	3.44 (87.5)	.24 (6)	6	60°	5.39 (137)	5	M5	1	7	17.5°
RV160	6	M5	60°	4.72 (120)	.28 (7)	6	60°	6.85 (174)	5	M5	1	7	25°
RV240	6	M5	60°	7.38 (187.5)	.28 (7)	6	60°	9.84 (250)	5	M6	1	10	30°
RV350	6	M6	60°	11.61 (295)	.28 (7)	12	30°	14.65 (372)	10	M8	2	12	10°

Ordering Information

Direct Motor Versions	Models				
Mini-step	RVS80PP	RV120BPP	RV160BPP	RV240BPP	RV350BPP
Full-step		RV120BPE	RV160BPE	RV240BPE	RV350BPE
Full-step & vacuum preparation	-	RV120BPEV6	RV160BPEV6	RV240BPEV6	RV350BPEV6
Vacuum compatible to 10 ⁻⁶ hPa. In this case, max. speed and load capacity have to be divided by two.					
DC	RVS80CC	RV120CC	RV160CC	RV240CC	RV350CC
HAT: DC & integral optical encoder	-	RV120HAT	RV160HAT	RV240HAT	RV350HAT
CCHL: DC & gear reduction	-	RV120CCHL	RV160CCHL	RV240CCHL	RV350CCHL
HAHLT: CCHL version & integral optical encoder	-	RV120HAHLT	RV160HAHLT	RV240HAHLT	RV350HAHLT

Folded Motor Versions

Except RVS80, add -F for folded motor versions

Note: For higher capacity rotary stages, please call an Applications Engineer

Accessories

Newport's EQ120 and EQ180 brackets (to order separately) are ideal for mounting our ILS or IMS Series of linear stages and RV80 to RV160 rotation stages for stable and stiff multi-axis positioning systems.

Model	Description
EQ120	Right-Angle Bracket for ILS and RV
EQ180	Right-Angle Bracket for IMS, RV120 and RV160



EQ180 bracket on an (M)-JIMS stage, with an RV160 in vertical configuration.

