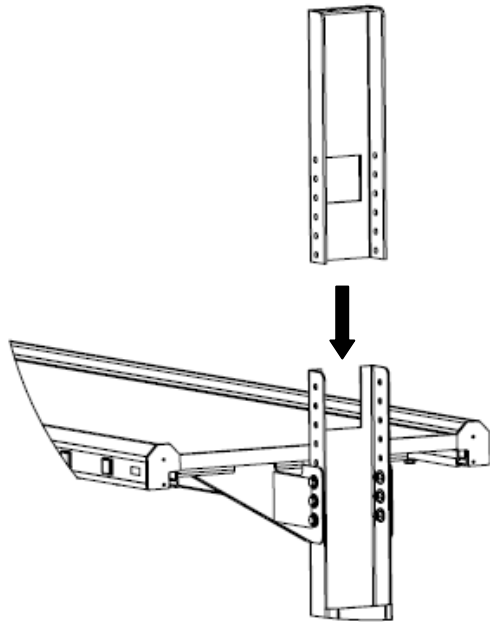
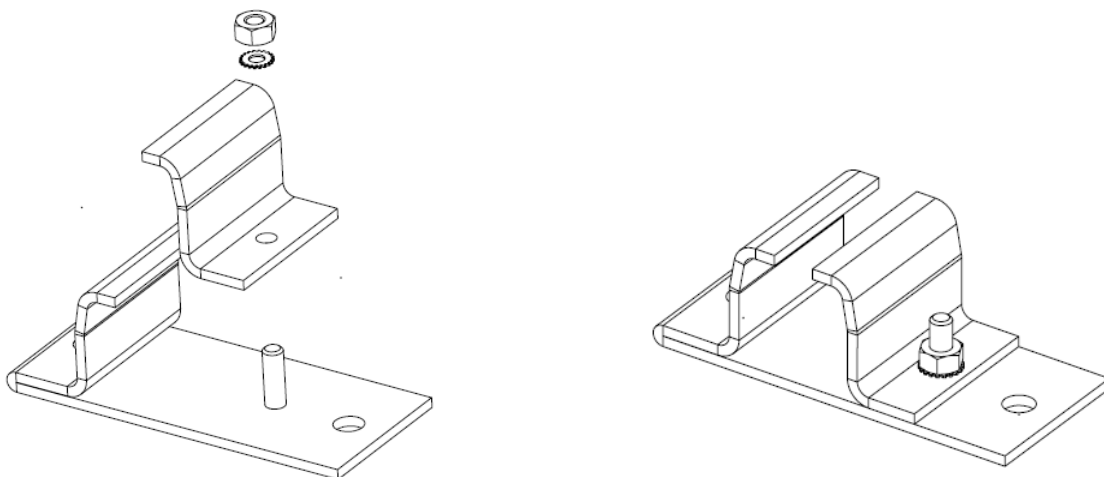


An overhead table shelf is required to mount the laser safety curtain. Install vertical mounting bracket into vertical supports of shelf. Depending on where your shelf is positioned and where you want the curtain positioned, you may overlap mounting holes and use the provided longer bolts.



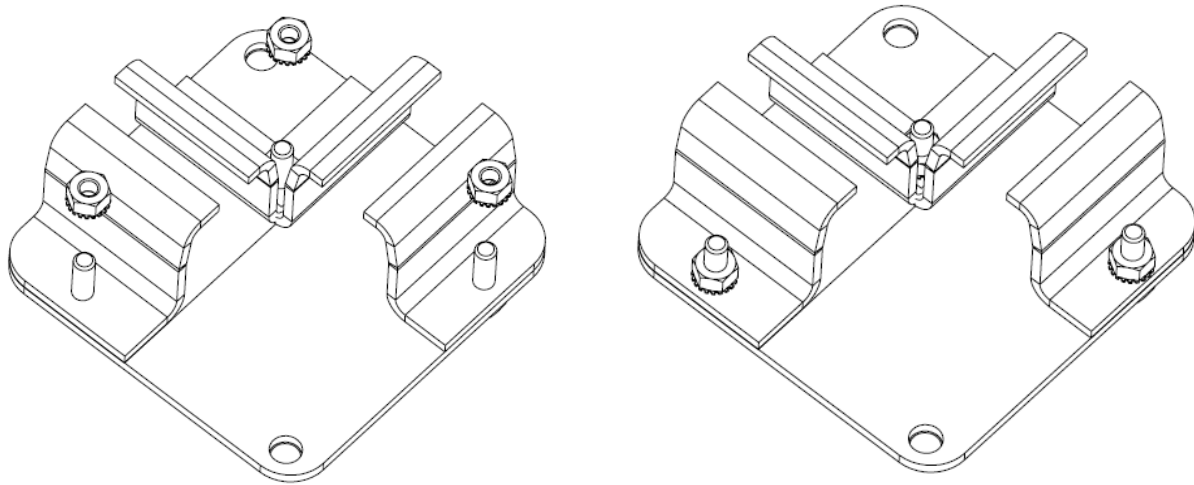
Track Hangers Assembly:

Assemble track hangers with included hardware. Allow some movement so that adjustments can be made when inserting tracks. Final tightening can be done at the end.



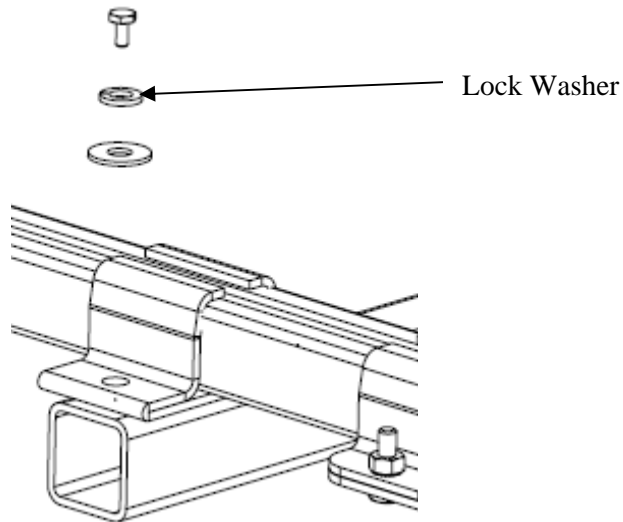
Corner Track Hangers Assembly:

Assemble corner track hangers in the same manner as track hangers. Again, leave some movement so that adjustments can be made when inserting tracks. Final tightening can be done at the end.

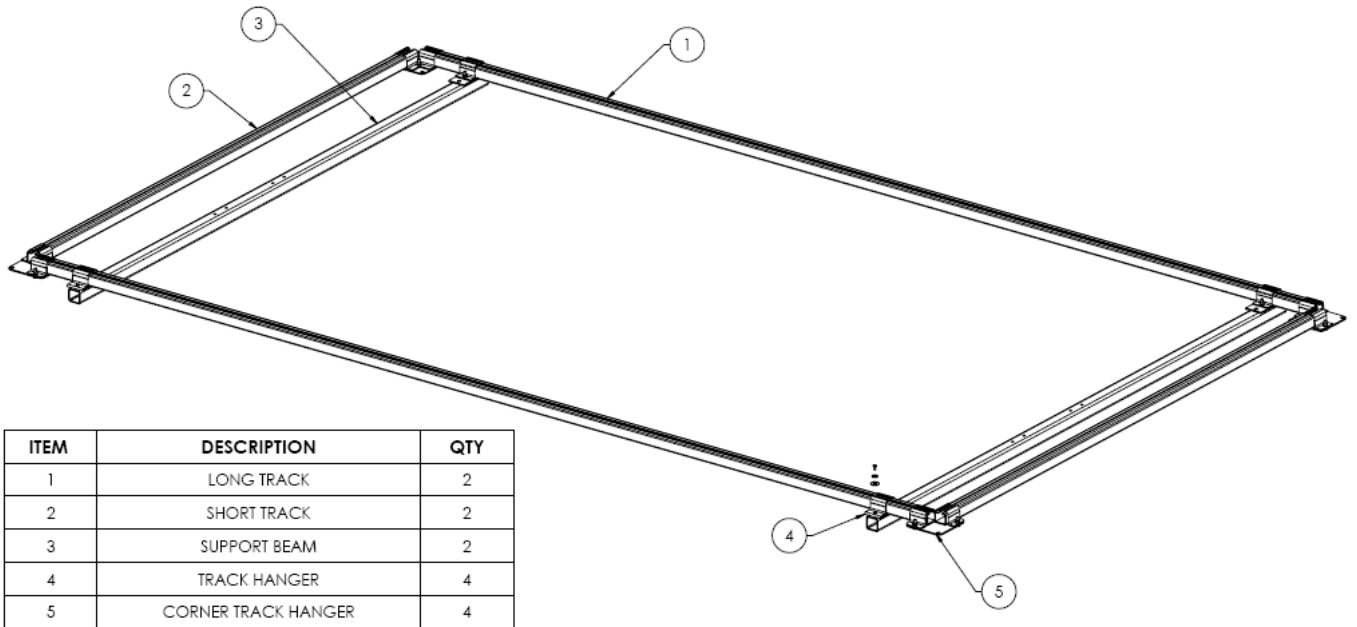


Track Frame Assembly:

Attach track hanger assembly to support beams, using provided hardware.



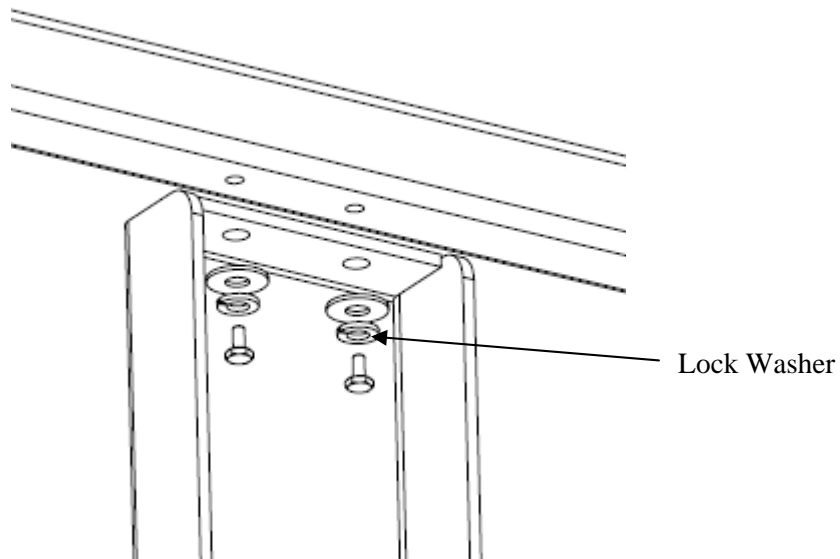
Layout tracks on open floor space. Insert tracks into hangers to create the assembly shown below.



Use as many people as needed to flip and lift frame assembly. Adjust positions of support beams as needed and set support beams on top of vertical mounting bracket that you previously installed.



Attach support beams to vertical bracket. There are two sets of holes to accommodate different shelf locations.



Hanging The Curtain:

Insert correct number of rollers into each track. Install end stops into each open end to prevent rollers from falling out.



Hang curtains on all 4 sides.



Attach Velcro to outer surface of tracks around entire perimeter. Attach valence around perimeter.

