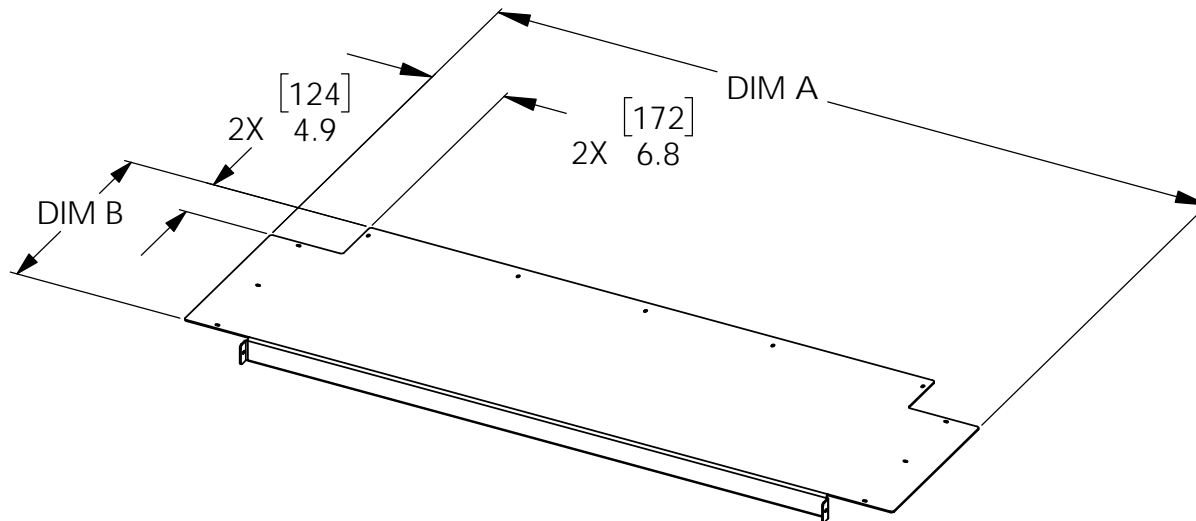
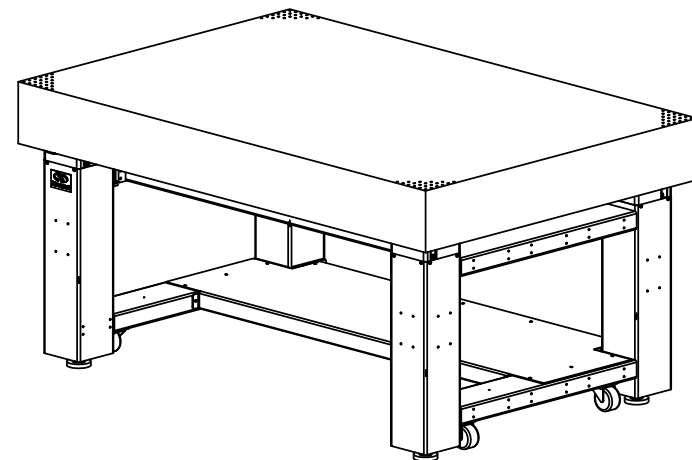


OTS-BTS



PART NUMBER	DIM A in [mm]	DIM B in [mm]
OTS-BSH-6	66.8 [1697]	20.4 [518]
OTS-BSH-8	90.8 [2306]	20.4 [518]
OTS-BSH-10-4	114.8 [2916]	20.4 [518]
OTS-BSH-10-5	114.8 [2916]	26.4 [671]
OTS-BSH-6-5	66.8 [1697]	26.4 [671]



SIZE A	CAGE CODE	DWG NO.	REV XA
SCALE 1:1	FILE NAME OTS=BTS OUTLINE	SHT 2 OF 3	

SIZE A	CAGE CODE	DWG NO.	REV XA
SCALE 1:1	FILE NAME OTS=BTS OUTLINE	SHT 3 OF 3	