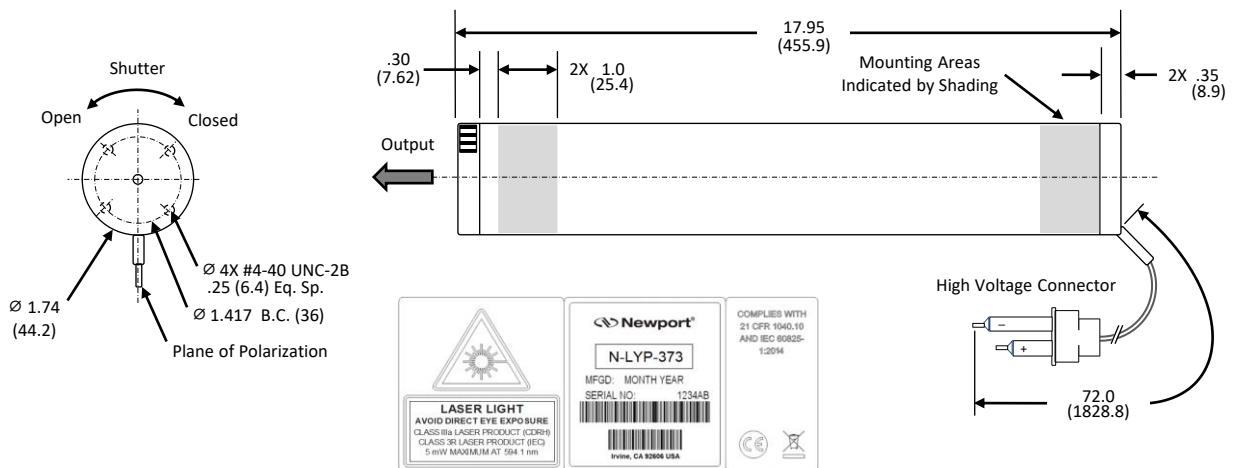


1 mW 594.1 nm (YELLOW) HELIUM NEON LASER MODEL: N-LYP-373

| OUTPUT SPECIFICATIONS | | |
|---|-------------------|--|
| CW Power Output (mW) | | > 1.0 |
| Wavelength (nm) | | 594.1 |
| Transverse Mode | | > 90% TEM ₀₀ |
| Polarization | Linear | >500:1 |
| Beam Diameter at 1/e ² Points | | 0.83 ± 5% |
| Beam Divergence (mrad) | | 0.91 ± 5% |
| Longitudinal Mode Spacing (MHz) | | 373 |
| Mode Sweeping | | ≤ 5% |
| Long Term Power Drift (8 hrs) | | ≤ 2.5% |
| Amplitude Noise, 30 Hz to 30 MHz (peak-to-peak) | | ≤ 2.8% |
| Warmup to > 95% of Maximum Power (minutes) | | 15 |
| Beam Position Drift From Cold Start (mrad) | | < 0.05 |
| Beam Position Drift After 15 Minute Warmup (mrad) | | < 0.03 |
| ELECTRICAL SPECIFICATIONS | | |
| Start Voltage (kVdc) | | < 10 |
| Recommended Operating Current (mA) | | 6.5 ± 0.2 |
| Operating Voltage (VDC) | | 2510 ± 100 |
| ENVIRONMENTAL SPECIFICATIONS | OPERATING | NON-OPERATING |
| Temperature (°C) | -20 to +40 | -40 to +80 |
| Altitude (meters) | 0 to 3000 | 0 to ∞ |
| Relative Humidity (% , non-condensing) | 0 to 99% | 0 to 99% |
| Mechanical Shock (g) | < 1 for < 11 msec | < 25 for < 11 msec < 100 for < 1 msec |

Specifications are subject to change without notice.



Dimensions in Inches (mm)

© Newport. All Rights Reserved

Rev 6.20.3

LABORATORY HELIUM NEON LASER POWER SUPPLY

INPUT SPECIFICATIONS

| | |
|---------------------|-----------|
| Voltage (VAC)* | 115 / 230 |
| Line Frequency (Hz) | 50 to 400 |
| Current (A) | 0.2 / 0.1 |

OUTPUT SPECIFICATIONS

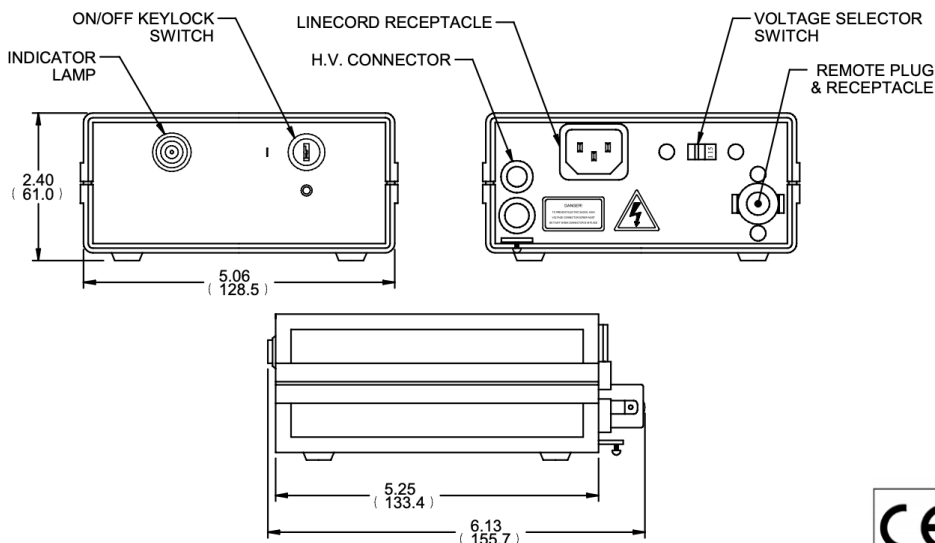
| | |
|---------------------------------|--------------|
| Sustaining Voltage (VDC) | 2400 to 3200 |
| Start Voltage (kVDC) | >10 |
| Current Setting (mA) | 6.5 ± 0.2 |
| Power (W) | < 19.1 |
| Current Ripple (% Peak to Peak) | < 2.0 |
| Current Ripple (% RMS) | < 0.71 |
| Time Delay (Seconds) | 3 to 7 |

ENVIRONMENTAL SPECIFICATIONS

| | OPERATING | NON-OPERATING |
|--|--------------------|--|
| Temperature (°C) | -20 to +40 | -40 to +80 |
| Altitude (meters) | 0 to 3000 | 0 to ∞ |
| Relative Humidity (% , non-condensing) | 0 to 99% | 0 to 99% |
| Mechanical Shock (g) | < 50 for < 11 msec | < 50 for < 11 msec < 100 for < 1 msec |

Specifications are subject to change without notice.

*Please specify AC power cord plug type: NEMA 5-15P for 100 to 120 VAC, Europlug (CEE7/4) for 230 VAC, or British Standard (BS 1363) for 230 to 240 VAC.



Dimensions in Inches (mm)
 Reference Dimensions Only



© Newport. All Rights Reserved