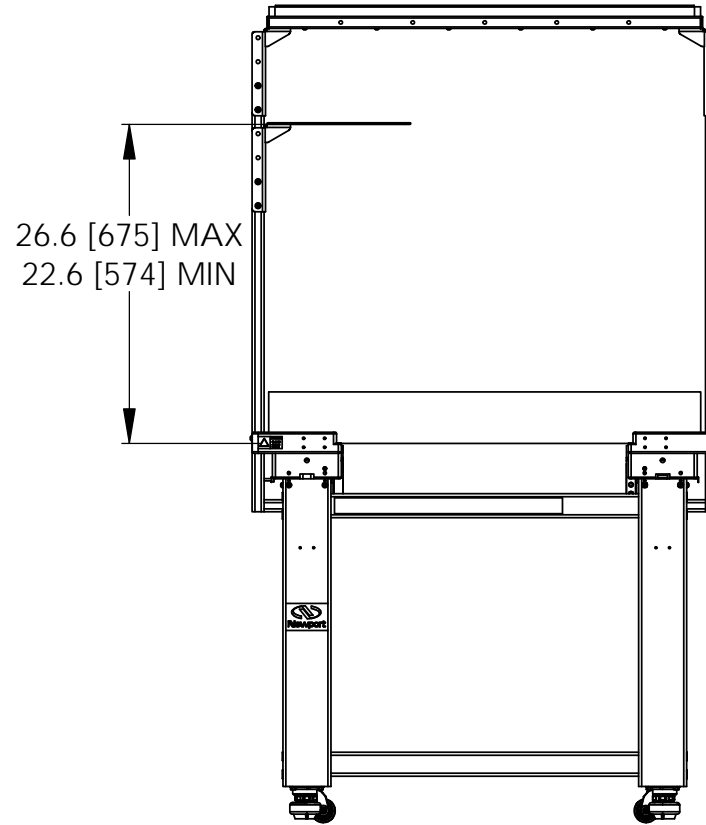
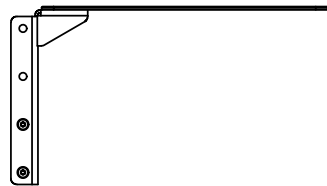
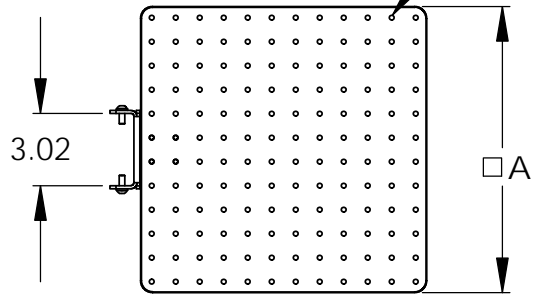


VIS-LS-P-11: 1/4-20 @ 1 IN DISTANCE TYP  
 M-VIS-P-11: M6 @ 25 mm DISTANCE TYP



PART NUMBER	A in [mm]
VIS-LS-P-11	11.9 [303]
M-VIS-LS-P-11	11.7 [298]

NOTES:

1. DIMS IN [ ] ARE IN mm

