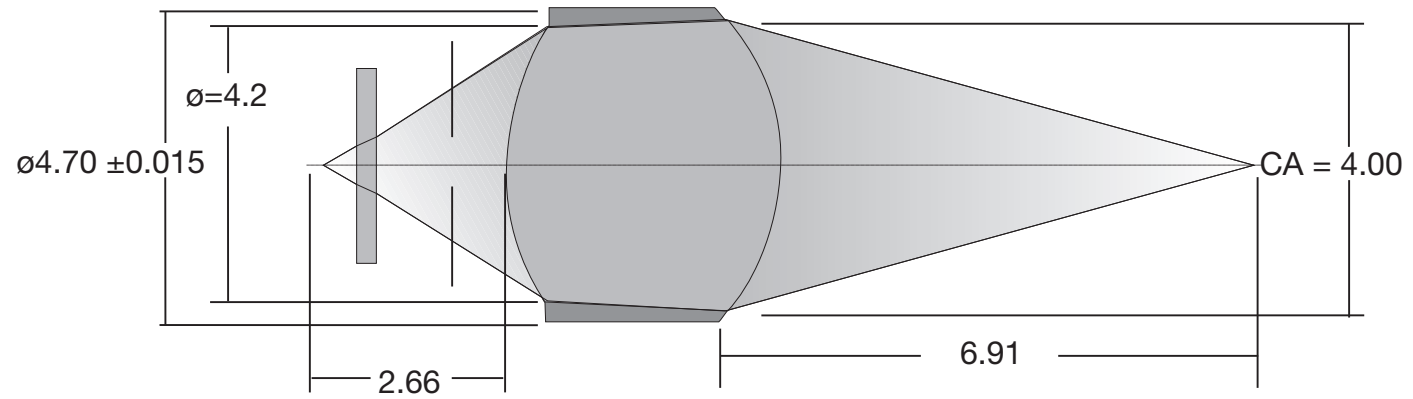


NA = 0.53

EFL = 3.0 mm

CT = 4.07 mm



Dimensions in mm