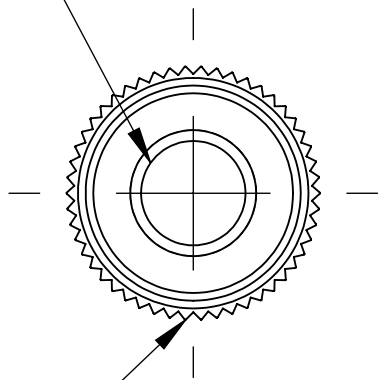
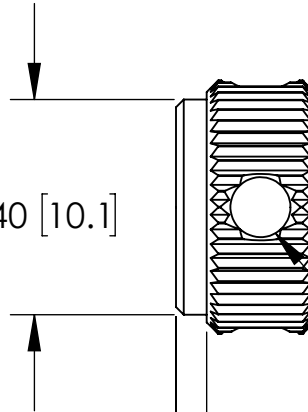


.250-100 UNS THRU



$\phi$  0.50 [12.7]

$\phi$ .40 [10.1]



6X  $\phi$ .094 [2.4]  $\nabla$  .08 [2.0]  
60° SPACING

.200 [5.1]

.04 [1.0]



Newport