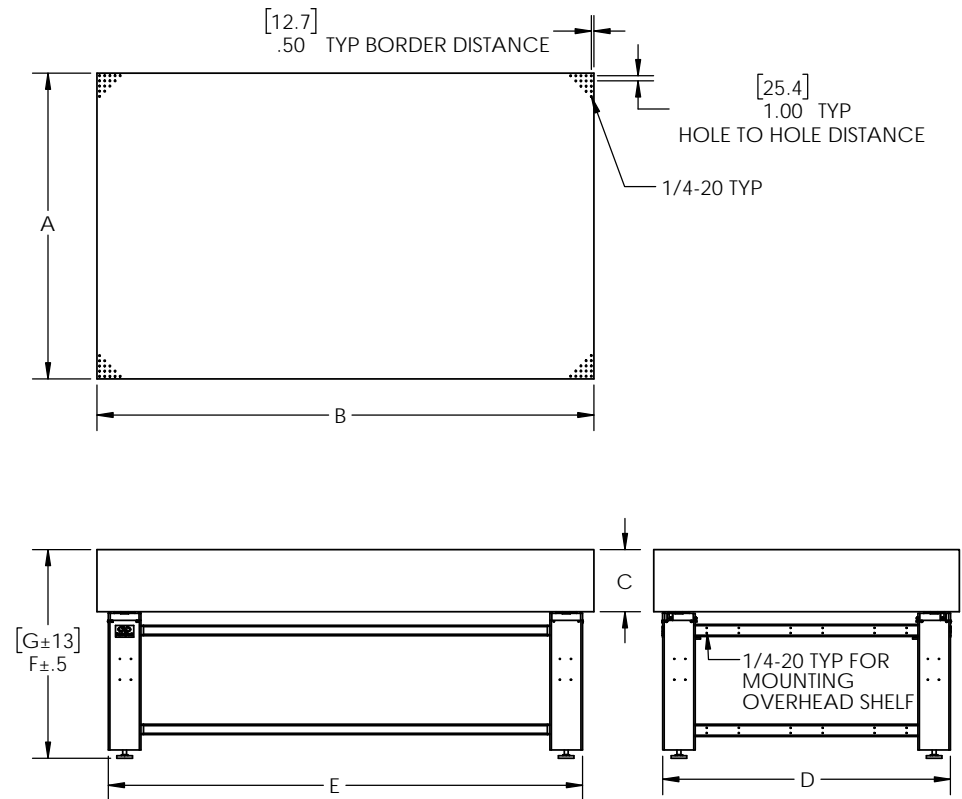


MODEL NUMBER	A in. [mm]	B in. [mm]	C in. [mm]	D in. [mm]	E in. [mm]	F in	G mm
INT4-36-8-N	36.0 [914]	72.0 [1829]	8 [203]	31.6 [803]	67.6 [1717]	36.7	932
INT4-36-12-N	36.0 [914]	72.0 [1829]	12 [305]	31.6 [803]	67.6 [1717]	40.7	1034
INT4-38-8-N	36.0 [914]	96.0 [2438]	8 [203]	31.6 [803]	91.6 [2327]	36.7	932
INT4-38-12-N	36.0 [914]	96.0 [2438]	12 [305]	31.6 [803]	91.6 [2327]	40.7	1034
INT4-46-8-N	48.0 [1219]	72.0 [1829]	8 [203]	43.6 [1107]	67.6 [1717]	36.7	932
INT4-46-12-N	48.0 [1219]	72.0 [1829]	12 [305]	43.6 [1107]	67.6 [1717]	40.7	1034
INT4-47-8-N	48.0 [1219]	84.0 [2134]	8 [203]	43.6 [1107]	79.6 [2022]	36.7	932
INT4-47-12-N	48.0 [1219]	84.0 [2134]	12 [305]	43.6 [1107]	79.6 [2022]	40.7	1034
INT4-48-8-N	48.0 [1219]	96.0 [2438]	8 [203]	43.6 [1107]	91.6 [2327]	36.7	932
INT4-48-12-N	48.0 [1219]	96.0 [2438]	12 [305]	43.6 [1107]	91.6 [2327]	40.7	1034
INT4-49-8-N	48.0 [1219]	108.0 [2743]	8 [203]	43.6 [1107]	103.6 [2631]	36.7	932
INT4-49-12-N	48.0 [1219]	108.0 [2743]	12 [305]	43.6 [1107]	103.6 [2631]	40.7	1034
INT4-410-8-N	48.0 [1219]	120.0 [3048]	8 [203]	43.6 [1107]	115.6 [2936]	36.7	932
INT4-410-12-N	48.0 [1219]	120.0 [3048]	12 [305]	43.6 [1107]	115.6 [2936]	40.7	1034
INT4-56-8-N	59.06 [1500]	72.0 [1829]	8 [203]	55.6 [1412]	67.6 [1717]	36.7	932
INT4-56-12-N	59.06 [1500]	72.0 [1829]	12 [305]	55.6 [1412]	67.6 [1717]	40.7	1034
INT4-57-8-N	59.06 [1500]	84.0 [2134]	8 [203]	55.6 [1412]	79.6 [2022]	36.7	932
INT4-57-12-N	59.06 [1500]	84.0 [2134]	12 [305]	55.6 [1412]	79.6 [2022]	40.7	1034
INT4-58-8-N	59.06 [1500]	96.0 [2438]	8 [203]	55.6 [1412]	91.6 [2327]	36.7	932
INT4-58-12-N	59.06 [1500]	96.0 [2438]	12 [305]	55.6 [1412]	91.6 [2327]	40.7	1034
INT4-59-8-N	59.06 [1500]	108.0 [2743]	8 [203]	55.6 [1412]	103.6 [2631]	36.7	932
INT4-59-12-N	59.06 [1500]	108.0 [2743]	12 [305]	55.6 [1412]	103.6 [2631]	40.7	1034
INT4-510-8-N	59.06 [1500]	120.0 [3048]	8 [203]	55.6 [1412]	115.6 [2936]	36.7	932
INT4-510-12-N	59.06 [1500]	120.0 [3048]	12 [305]	55.6 [1412]	115.6 [2936]	40.7	1034



NOTES:

1. INT4 OPTICAL TABLE HAS 4.8mm SKIN AND TWO PRECISION TUNABLE DAMPERS
2. DIMS IN [] ARE IN mm.