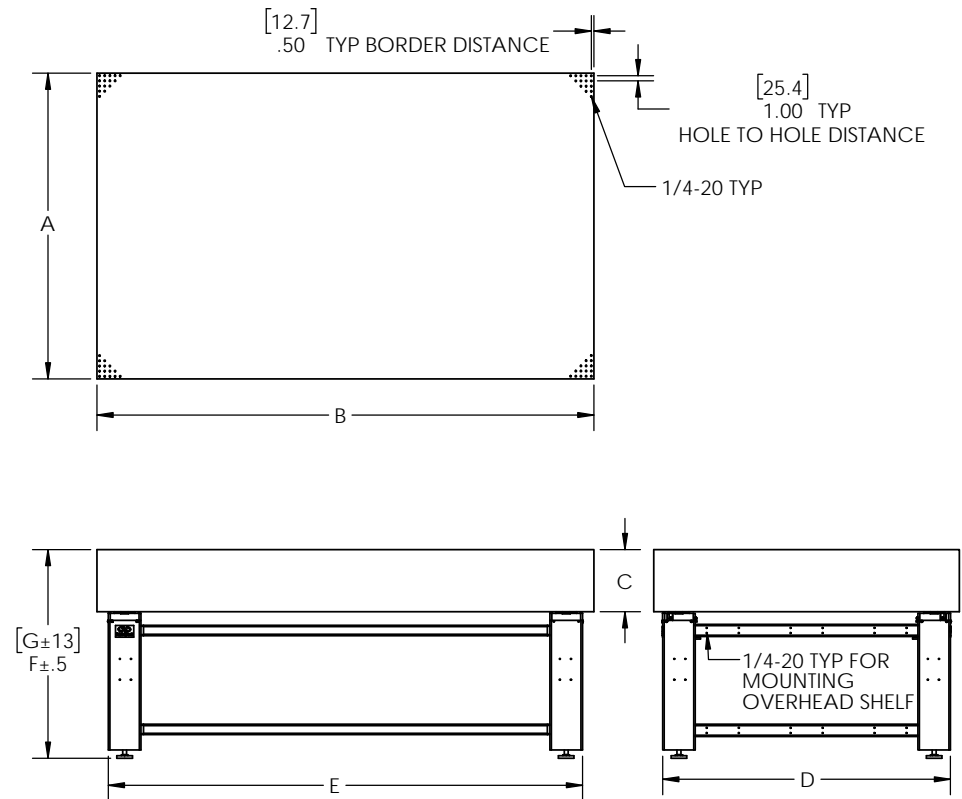


MODEL NUMBER	A in. [mm]	B in. [mm]	C in. [mm]	D in. [mm]	E in. [mm]	F in	G mm
INT1-36-6-N	36.0 [914]	72.0 [1829]	6 [152]	31.6 [803]	67.6 [1717]	34.7	881
INT1-36-8-N	36.0 [914]	72.0 [1829]	8 [203]	31.6 [803]	67.6 [1717]	36.7	932
INT1-38-6-N	36.0 [914]	96.0 [2438]	6 [152]	31.6 [803]	91.6 [2327]	34.7	881
INT1-38-8-N	36.0 [914]	96.0 [2438]	8 [203]	31.6 [803]	91.6 [2327]	36.7	932
INT1-46-6-N	48.0 [1219]	72.0 [1829]	6 [152]	43.6 [1107]	67.6 [1717]	34.7	881
INT1-46-8-N	48.0 [1219]	72.0 [1829]	8 [203]	43.6 [1107]	67.6 [1717]	36.7	932
INT1-46-12-N	48.0 [1219]	72.0 [1829]	12 [305]	43.6 [1107]	67.6 [1717]	40.7	1034
INT1-47-6-N	48.0 [1219]	84.0 [2134]	6 [152]	43.6 [1107]	79.6 [2022]	34.7	881
INT1-47-8-N	48.0 [1219]	84.0 [2134]	8 [203]	43.6 [1107]	79.6 [2022]	36.7	932
INT1-47-12-N	48.0 [1219]	84.0 [2134]	12 [305]	43.6 [1107]	79.6 [2022]	40.7	1034
INT1-48-6-N	48.0 [1219]	96.0 [2438]	6 [152]	43.6 [1107]	91.6 [2327]	34.7	881
INT1-48-8-N	48.0 [1219]	96.0 [2438]	8 [203]	43.6 [1107]	91.6 [2327]	36.7	932
INT1-48-12-N	48.0 [1219]	96.0 [2438]	12 [305]	43.6 [1107]	91.6 [2327]	40.7	1034
INT1-49-6-N	48.0 [1219]	108.0 [2743]	6 [152]	43.6 [1107]	103.6 [2631]	34.7	881
INT1-49-8-N	48.0 [1219]	108.0 [2743]	8 [203]	43.6 [1107]	103.6 [2631]	36.7	932
INT1-49-12-N	48.0 [1219]	108.0 [2743]	12 [305]	43.6 [1107]	103.6 [2631]	40.7	1034
INT1-410-6-N	48.0 [1219]	120.0 [3048]	6 [152]	43.6 [1107]	115.6 [2936]	34.7	881
INT1-410-8-N	48.0 [1219]	120.0 [3048]	8 [203]	43.6 [1107]	115.6 [2936]	36.7	932
INT1-410-12-N	48.0 [1219]	120.0 [3048]	12 [305]	43.6 [1107]	115.6 [2936]	40.7	1034



NOTES:

1. INT1 OPTICAL TABLE HAS 3.4mm SKIN.
2. DIMS IN [] ARE IN mm.