



GTS-V

High Precision Vertical Linear Stages



 **Newport®**

USER'S MANUAL

Warranty

Newport Corporation warrants this product to be free from defects in material and workmanship for a period of 1 year from the date of shipment. If found to be defective during the warranty period, the product will either be repaired or replaced at Newport's discretion.

To exercise this warranty, write or call your local Newport representative, or contact Newport headquarters in Irvine, California. You will be given prompt assistance and return instructions. Send the instrument, transportation prepaid, to the indicated service facility. Repairs will be made and the instrument returned, transportation prepaid. Repaired products are warranted for the balance of the original warranty period, or at least 90 days.

Limitation of Warranty

This warranty does not apply to defects resulting from modification or misuse of any product or part.

CAUTION

Warranty does not apply to damages resulting from:

- **Incorrect usage:**
 - **Load on the stage greater than maximum specified load.**
 - **Carriage speed higher than specified speed.**
 - **Improper grounding.**
 - **Connectors must be properly secured.**
 - **When the load on the stage represents an electrical risk, it must be connected to ground.**
 - **Excessive or improper cantilever loads.**
- **Modification of the stage or any part thereof.**



CAUTION

Please return equipment in the original (or equivalent) packing.

You will be responsible for damage incurred from inadequate packaging if the original packaging is not used.

This warranty is in lieu of all other warranties, expressed or implied, including any implied warranty of merchantability or fitness for a particular use. Newport Corporation shall not be liable for any indirect, special, or consequential damages.

© 2019 by Newport Corporation, Irvine, CA. All rights reserved.

Original instructions.

No part of this document may be reproduced or copied without the prior written approval of Newport Corporation. This document is provided for information only, and product specifications are subject to change without notice. Any change will be reflected in future publishings.

Table of Contents

Warranty	ii
EC Declaration of Conformity.....	v
Definitions and Symbols.....	vi
Warnings	vii
Caution	viii
<hr/>	
1.0 — Introduction.....	1
<hr/>	
2.0 — Description	2
2.1 Design Details	2
<hr/>	
3.0 — Characteristics.....	3
3.1 Definitions	3
3.2 Mechanical Specifications	4
3.3 Load Specification Definitions.....	4
3.4 Load Characteristics and Stiffness	4
3.5 Stage Weights	5
<hr/>	
4.0 — Drive and Motor.....	5
4.1 DC-Servo Drive Version	5
4.2 Sensor Position.....	6
4.3 Feedback Signal Position	6
4.4 Pinouts.....	7
4.5 MCAB-3 Cable	7
<hr/>	
5.0 — Connection to Newport Controllers.....	8
5.1 Warnings on Controllers	8
5.2 Connection.....	9
5.3 Cables	9
5.4 MCAB-3 Cable	9
<hr/>	
6.0 — Connection to Non-Newport Electronics	10
6.1 Connections.....	10
<hr/>	
7.0 — Dimensions.....	11
7.1 GTS30V Stage.....	11
7.2 GTS70V Stages	12
<hr/>	

8.0	— Stage Installation	13
8.1	Unpacking	13
8.2	Mounting Patterns	13

9.0	— Maintenance	14
9.1	Maintenance	14
9.2	Repair	14
9.3	Calibration	14

	Service Form	15
--	--------------	----

EC Declaration of Conformity



EU Declaration of Conformity

Application of Council Directive(s): 2014/30/EU Electromagnetic Compatibility Directive (EMCD)
 2014/35/EU Low Voltage Directive (LVD)
 2014/68/EU European Pressure Equipment Directive (PED)
 2006/42/EC Machinery Directive (MD)
 2011/65/EU Restriction of Hazardous Substances Directive (RoHS)

Standard(s) to which conformity is declared: EN 61326-1:2013 (EMC); EN 61326-2-3:2013 (EMC);
 EN 61010-1:2010 (Safety);
 EN 60825-1 (Safety of Laser Products – Part 1); 2014
 PED Module SEP (Sound Engineering Practices); 2014

Emissions:

CISPR 11:2015 Industrial, Scientific and Medical Equipment Radio-Frequency Disturbance Characteristics - Limits and Methods of Measurement
 IEC 61000-3-2:2014 EMC/Limits for Harmonic Current Emission ⁽¹⁾
 IEC 61000-3-3:2013 EMC/Limitations of Voltage Fluctuations and Flicker in Low-Voltage Supply Systems ⁽²⁾
 IEC 61000-3-3:2013 EMC/Limitations of Voltage Fluctuations and Flicker in Low-Voltage Supply Systems ⁽³⁾
 EN 55011: 2009+A1:2010 ⁽⁴⁾
 FCC 47 CFR Part 18: 2015

Immunity:

IEC 61000-4-2:2008 EMC/Electrostatic Discharge Immunity Test
 IEC 61000-4-3:2006 2006+AMD1:2007+AMD2:2010 EMC/Radiated Radio - Frequency Electromagnetic Field Immunity Test
 IEC 61000-4-4:2012 EMC/Electrical Fast Transient/Burst Immunity Test
 IEC 61000-4-5:2014 EMC/Surge Immunity Test ⁽³⁾
 IEC 61000-4-6:2013 EMC/Conducted Disturbances induced by Radio Frequency Fields Immunity Test
 IEC 61000-4-8:2009 EMC/Power Frequency Magnetic Field Immunity Test
 IEC 61000-4-11:2004 EMC/Voltage Dips, Short Interruptions and Variations Immunity Test ⁽⁵⁾
 IEC 61000-4-34:2005+AMD1:2009 EMC/Voltage Dips, Short Interruptions and Variations Immunity Test ⁽⁵⁾

Manufacturers Name: MICRO-CONTROLE Spectra-Physics S.A.S

Importer's Name & Location: /

Equipment Type/Description: **GTS-V Series - High Precision Vertical Linear Stage**

Model Number(s) ⁽⁶⁾: **GTS30-V; GTS70-V & GTS70-VCC**

MKS confirms that, with respect to the products listed above, it believes it is in conformity with the selected European Union harmonization legislation. MKS product conforms to the above Directive(s) and Standard(s) only when installed in accordance with manufacturer's specifications. This declaration has been issued under the sole responsibility of the manufacturer.

Date: **03/10/2019**



Le Cointe Hervé
Quality Director

- 1) Applicable to AC powered product only. Class B
- 2) Applicable to AC powered product; DC powered connections must not connect to a D.C. distribution network; I/O Signal and Control Lines must be less than 30m and not exit the building.
- 3) Applicable to AC powered product; DC powered connections and may connect to a D.C. distribution network.
- 4) Class A, Group 2
- 5) Applicable to AC powered product only.
- 6) Compliance of the above model numbers requires the use of a braided shielded cable properly terminated at both ends – if so noted in the MKS Instruction Manual.

Definitions and Symbols

The following terms and symbols are used in this documentation and also appear on the product where safety-related issues occur.

General Warning or Caution



The exclamation symbol may appear in warning and caution tables in this document. This symbol designates an area where personal injury or damage to the equipment is possible.

The following are definitions of the Warnings, Cautions and Notes that may be used in this manual to call attention to important information regarding personal safety, safety and preservation of the equipment, or important tips.



WARNING

Warning indicates a potentially dangerous situation which can result in bodily harm or death.



CAUTION

Caution indicates a potentially hazardous situation which can result in damage to product or equipment.

NOTE

Note indicates additional information that must be considered by the user or operator.

European Union CE Mark



The presence of the CE Mark on MKS equipment means that it has been designed, tested and certified as complying with all applicable European Union (CE) regulations and recommendations.

Warnings and Cautions



ATTENTION

This stage is a Class A device. In a residential environment, this device can cause electromagnetic interference. In this case, suitable measures must be taken by the user.

Warnings



WARNING

The motion of objects of all types carries potential risks for operators. Ensure the protection of operators by prohibiting access to the dangerous area and by informing the personnel of the potential risks involved.

WARNING

Do not use this stage when its motor is emitting smoke or is unusually hot to the touch or is emitting any unusual odor or noise or is in any other abnormal state.

Stop using the stage immediately, switch off the motor power and then disconnect the electronics power supply.

After checking that smoke is no longer being emitted contact your Newport service facility and request repairs. Never attempt to repair the stage yourself as this can be dangerous.

WARNING

Make sure that this stage is not exposed to moisture and that liquid does not get into the stage.

Nevertheless, if any liquid has entered the stage, switch off the motor power and then disconnect the electronics from power supply.

Contact your Newport service facility and request repairs.



WARNING

Do not insert or drop objects into this stage, this may cause an electric shock, or lock the drive.

Do not use this stage if any foreign objects have entered the stage. Switch off the motor power and then disconnect the electronics power supply.

Contact your Newport service facility for repairs.

WARNING

Do not place this stage in unstable locations such as on a wobbly table or sloping surface, where it may fall or tip over and cause injury.

If this stage has been dropped or the case has been damaged, switch off the motor power and then disconnect the electronics power supply.

Contact your Newport service facility and request repairs.

WARNING

Do not attempt to modify this stage; this may cause an electric shock or downgrade its performance.

WARNING

Do not exceed the usable depth indicated on the mounting holes (see section “Dimensions”). Longer screws can damage the mechanics or cause a short-circuit.

Caution

CAUTION

Do not place this stage in a hostile environment such as X-Rays, hard UV,... or in any vacuum environment.

CAUTION

Do not place this stage in a location affected by dust, oil fumes, steam or high humidity. This may cause an electric shock.

CAUTION

Do not leave this stage in places subject to extremely high temperatures or low temperatures. This may cause an electric shock.

- **Operating temperature: +10 to +35 °C**
 - **Storage temperature: -10 to +40 °C (in its original packaging)**
-

CAUTION

Do not move this stage if its motor power is on.

Make sure that the cable to the electronics is disconnected before moving the stage. Failure to do so may damage the cable and cause an electrical shock.

CAUTION

Be careful that the stage is not bumped when it is being carried. This may cause it to malfunction.

CAUTION

When handling this stage, always unplug the equipment from the power source for safety.

CAUTION

When the carriage is in its end-of-run position, it is strongly recommended not to go beyond this point as this may damage the stage mechanism.

CAUTION

Contact your Newport service facility to request cleaning and specification control every year.

High Precision Vertical Linear Stages

GTS-V

1.0 Introduction

This manual provides operating instructions for the GTS-V precision vertical linear stage.



GTS70V & GTS30V stages.

RECOMMENDATION

We recommend you read carefully the chapter “Connection to electronics” before using a GTS-V stage.



*ILS250, GTS30V and URS100 stages
in XZθz configuration.*

2.0 Description

The GTS-V is the ideal foundation for applications that require long travel vertical motion of horizontally oriented samples. Its low profile and high-precision motion capabilities make this stage an excellent choice for applications such as semiconductor wafer inspection, nanotechnology, automated device alignment, metrology, and quality control processes.

When combined with our XM, GTS, VP, ILS, or IMS series of linear stages, the GTS-V is a space-saving alternative to traditional XYZ stacks of stages, and provides unobstructed access to the payload from any side. Furthermore, centering the payload over the bearings, ensures less cantilevering load effects and Abbe induced motion errors.

High-precision vertical motion is achieved using a direct vertical guiding system composed of matched pairs of anti-creep crossed roller bearings for GT30V and of recirculating ball bearings for GTS70V and GTS70VCC. Compared to alternative wedged designs, this direct guiding method provides consistently lower and more repeatable runout errors. Lastly, the geared retainers prevent bearing cage migration, a problem often found with other linear bearings, especially in vertical arrangements.

A folded DC motor with a precision ground, low friction lead screw arrangement delivers ultra-smooth motion and does not back drive even at high loads. A reduction belt between the motor and the lead screw increases the available output torque, reduces the servo sensitivity and when combined with a high resolution linear scale ensures 100 nm minimum incremental motion with all Newport motion controllers and drivers.

Precision position feedback is provided by an optical scale with 50 nm resolution for GTS30V and GTS70V. This direct position feedback avoids drive train errors impacting positioning performance, hence leading to superior positioning accuracy and repeatability. For higher load applications a rotary encoder is proposed with GTS70VCC.

2.1 Design Details

Base Material	High-strength Aluminum
Bearings	Anti-creep crossed roller bearings/Recirculating ball bearings
Drive Mechanism	Precision ground lead screw, gravity preloaded nut
Drive Screw Pitch	1 mm
Feedback	Linear steel scale, 20 μm signal period, 0.05 μm resolution, RS-422 differential output or motor mounted rotary encoder in the CC version, 0.125 μm resolution
Limit Switches	Optical
Origin	Optical, located 5 mm from lower position travel limit
DriveType	DC Servo
Cable Length	3 m (included)

3.0 Characteristics

3.1 Definitions

Specifications of our products are established in reference to ISO 230 standard part II “Determination of accuracy and repeatability of positioning numerically controlled axes”.

This standard gives the definition of position uncertainty which depends on the 3 following parameters:

Absolute Accuracy

Difference between ideal position and real position.

Accuracy

Difference between ideal position and real position after the compensation of linear errors.

Linear errors include: cosine errors, inaccuracy of screw or linear scale pitch, angular deviation at the measuring point (Abbe error) and thermal expansion effects. All Newport motion electronics can compensate for linear errors.

The relation between absolute accuracy and on-axis accuracy is as follows:

$$\text{Absolute Accuracy} = \text{Accuracy} + \text{Correction Factor} \times \text{Travel}$$

Repeatability

Ability of a system to achieve a commanded position over many attempts.

Reversal Value (Hysteresis)

Difference between actual position values obtained for a given target position when approached from opposite directions.

Minimum Incremental Motion (MIM or Sensitivity)

The smallest increment of motion a device is capable of delivering consistently and reliably.

Resolution

The smallest increment that a motion device can theoretically move and/or detect. Resolution is not achievable, whereas MIM, is the real output of a motion system.

Yaw, Pitch

Rotation of carriage around the Z axis (Yaw) or Y axis (Pitch), when it moves.

The testing of accuracy, repeatability, and reversal error are made systematically with test equipment in controlled environment (20^{±1} °C).

A linear cycle with 21 data points on the travel and 4 cycles in each direction gives a total of 168 points.

Guaranteed and Typical Specifications

Guaranteed maximum performance values are verified per Newport's A167 metrology test procedure. For more information, please consult the metrology tutorial section in the Newport catalog or at www.newport.com

3.2 Mechanical Specifications



	GTS30V	GTS70VCC Rotary Encoder	GTS70V Linear Encoder
Travel Range (mm) ⁽¹⁾	30	70	70
Minimum Incremental Motion (µm)	0.1	0.25	0.1
Bi-directional Repeatability (µm)	±0.1	±0.5	±0.2
Accuracy (µm)	±0.75	±1.75	±1
Maximum Speed (mm/s)	10	5 ⁽²⁾	10
Normal Load (N)	40	40/70	40
Straightness (µm)	±0.75	±5.0	±5.0
Pitch/Roll (µrad) ⁽³⁾	±25	±80	±80
MTBF (h)	20,000 hours at 25% load and with a 30% duty cycle		

¹⁾ GTS30V: -5 to +25mm

GTS70V: 0 to +70mm, when driven by ESP302 and XPS and -5 to +65 mm, when driven by SMC100CC

GTS70VCC: 0 to +70mm

²⁾ 10 mm/s if used with 40 N payload

³⁾ To obtain arcsec units, divide µrad value by 4.8.



CAUTION

To reach specifications stated, stages must be fixed on a plane surface with a flatness of 5 µm.

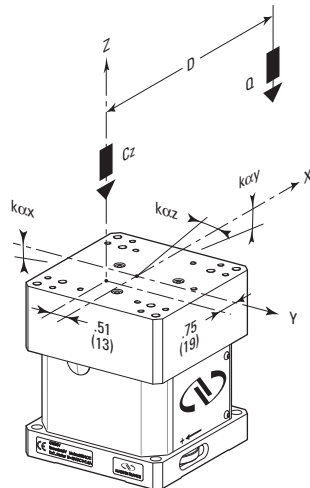
3.3 Load Specification Definitions

Normal Load Capacity (Cz)

Maximum load a stage can move while maintaining specifications.

Max. Speed (mm/s)	10
Max. Acceleration (mm/s ²)	40

3.4 Load Characteristics and Stiffness



	GTS30V	GTS70V GTS70VCC
Cz, Normal centered load capacity (N)	40	40/70
Kcx, Compliance in roll (µrad/Nm)	40	8
Kcy, Compliance in pitch (µrad/Nm)	40	33
Kcz, Compliance in yaw (µrad/Nm)	25	50
Qx Qy, Off-center load (N)	$Q \leq Cz \div (1 + D/30)$	

Where D = Cantilever distance (mm) and Dmax = 100mm



CAUTION

Do not use the GTS-V stage for horizontal movement. Specifications are given only for a vertical use (gravity preloaded).

3.5 Stage Weights

The weights shown below do not include the weight of the cable.

	Weight [lb (kg)]
GTS30V	7.3 (3.3)
GTS70V & GTS70VCC	9.6 (4.35)
3-meter MCAB-3 Cable	1.32 (0.6)

4.0 Drive and Motor

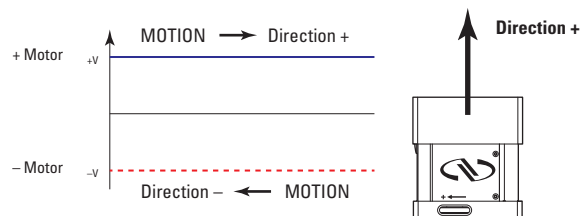
4.1 DC-Servo Drive Version

The GTS30V and GTS70V stages are equipped with a DC-motor and a metal optical encoder.

DC-Motor Performance Specifications and Characteristics

	Resolution (μm)	Speed (mm/s)	Nominal Voltage (V)	Max RMS Current (A)	Max. Peak Current (A)	Resistance (Ω)	Inductance (mH)	Tachometer Const. (V/krpm)
GTS30V/GTS70V	0.05	10	48	1.24	1.8	2.45	0.51	–
GTS70VCC	0.125	5	48	1.5	1.8	2.45	0.51	–

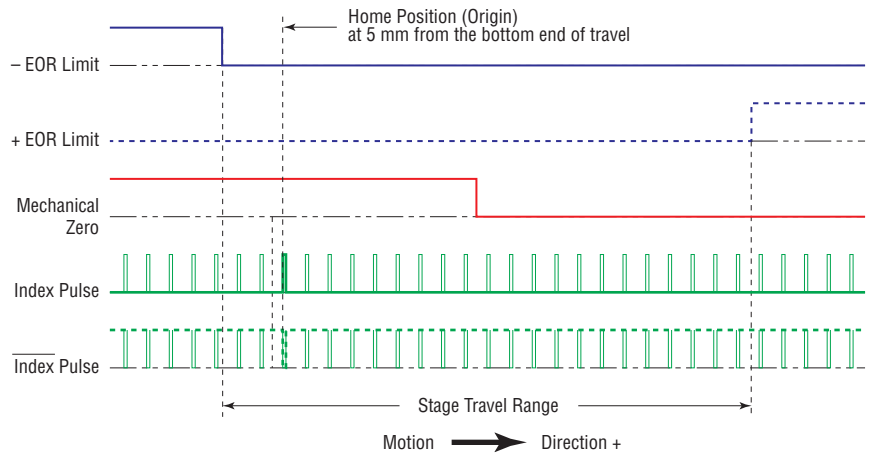
Command Signals for the DC-Motor



In the above drawings, + Motor signal is referred to – Motor signal.

- ① When the stage moves in + Direction, the + Motor voltage is higher than – Motor voltage.
- ② When the stage moves in – Direction, the + Motor voltage is lower than – Motor voltage.

4.2 Sensor Position



End-of-Run and Mechanical Zero are 5 V open collector type.

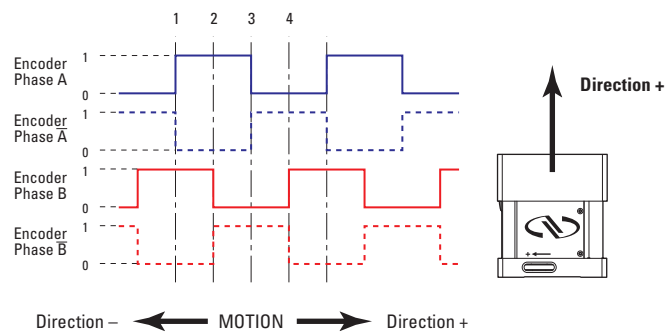
The Index Pulse provides a repeatable Home Position at ±1 step.



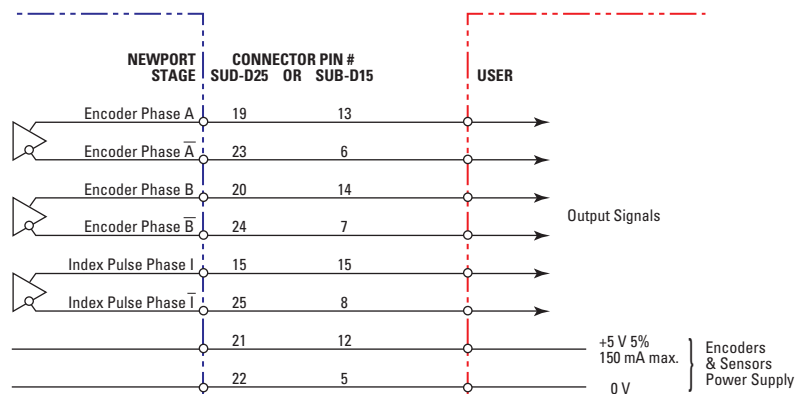
CAUTION

“End-of-Run” and “Mechanical Zero” are active signals and should not be connected to any other source.

4.3 Feedback Signal Position



The incremental sensor consists of an optical linear scale and encoder head for GTS30V/GTS70V and optical disk and encoder head for GTS70VCC. When the carriage moves, the encoder head generates square signals in quadrature and sends to pins #19, #20, #23 and #24 of the SUB-D25 connector.

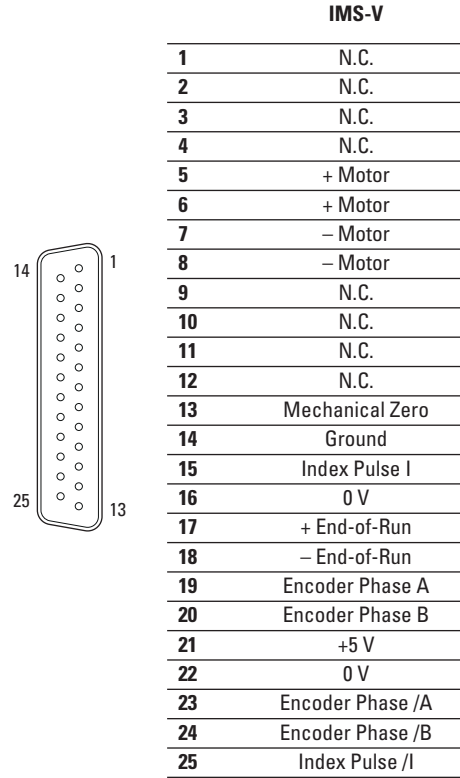


“Encoder” and “Index Pulse” are “differential pair” (type RS-422) type output signals. Using these signals permits a high immunity to noise.

Emission circuits generally used by Newport are 26LS31 or MC3487. Reception circuits to use are 26LS32 or MC3486.

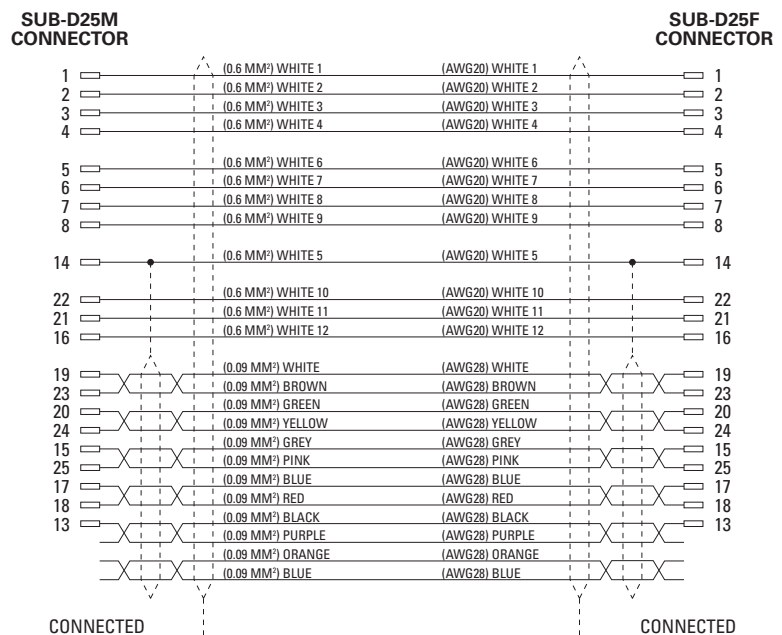
4.4 Pinouts

The pinout diagram for the GTSV stage SUB-D25M connector is shown below.



4.5 MCAB-3 Cable

A 3-meter MCAB-3 cable is supplied with each GTSV stage (see section 5.5: "Cables").



5.0 Connection to Newport Controllers

5.1 Warnings on Controllers

Controllers are intended for use by qualified personnel who recognize shock hazards and are familiar with safety precautions required to avoid possible injury. Read the controller user's manual carefully before operating the instrument and pay attention to all written warnings and cautions.

WARNING

Disconnect the power plug under the following circumstances:

- If the power cord or any attached cables are frayed or damaged in any way.
- If the power plug is damaged in any way.
- If the unit is exposed to rain, excessive moisture, or liquids are spilled on the unit.
- If the unit has been dropped or the case is damaged.
- If you suspect service or repair is required.
- Whenever you clean the electronics unit.

CAUTION

To protect the unit from damage, be sure to:

- Keep all air vents free of dirt and dust.
- Keep all liquids away from the unit.
- Do not expose the unit to excessive moisture (85% humidity).
- Read this manual before using the unit for the first time.



WARNING

All attachment plug receptacles in the vicinity of this unit are to be of the grounding type and properly polarized.

Contact your electrician to check your receptacles.

WARNING

This product is equipped with a 3-wire grounding type plug.

Any interruption of the grounding connection can create an electric shock hazard.

If you are unable to insert the plug into your wall plug receptacle, contact your electrician to perform the necessary alterations to ensure that the green (green-yellow) wire is attached to earth ground.

WARNING

This product operates with voltages that can be lethal.

Pushing objects of any kind into cabinet slots or holes, or spilling any liquid on the product, may touch hazardous voltage points or short out parts.

5.2 Connection

There is a label on every stage indicating its part and serial numbers.



WARNING

Always turn the controller's power OFF before connecting to a stage.

NOTE

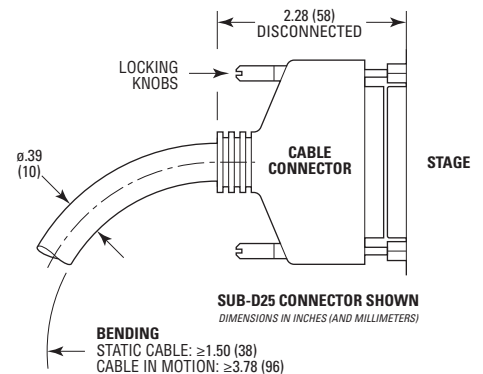


These stages are ESP compatible. Enhanced System Performance is Newport's exclusive technology that enables Newport ESP motion controllers to recognize the connected Newport ESP stage and upload the stage parameters. This ensures that the user can operate the motion system quickly and safely.

5.3 Cables

The GTSV stage is delivered with a **MCAB-3** 3-meter cable with a SUB-D25M connector for direct connection to Newport Controllers.

5.4 MCAB-3 Cable



WARNING

This cable is shielded correctly. For a correct operation, make sure to lock connectors (ground continuity provided by the cable).

For applications where the standard 3-meter cable (**MCAB-3**) included with your stage is not adequate, Newport offers longer length cables designed to ensure the integrity of your positioning application.

Please contact Newport if longer cables are required for your application.



WARNING

Keep the motor cables at a safe distance from other electrical cables in your environment to avoid potential cross talk.

6.0 Connection to Non-Newport Electronics

6.1 Connections

WARNING

Newport is not responsible for malfunction or damage of GTS-V stages when used with non-Newport controllers.

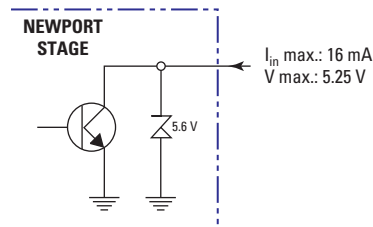
WARNING

Newport guarantees “CE” compliance of GTS-V stages only if used with Newport cables and controllers.



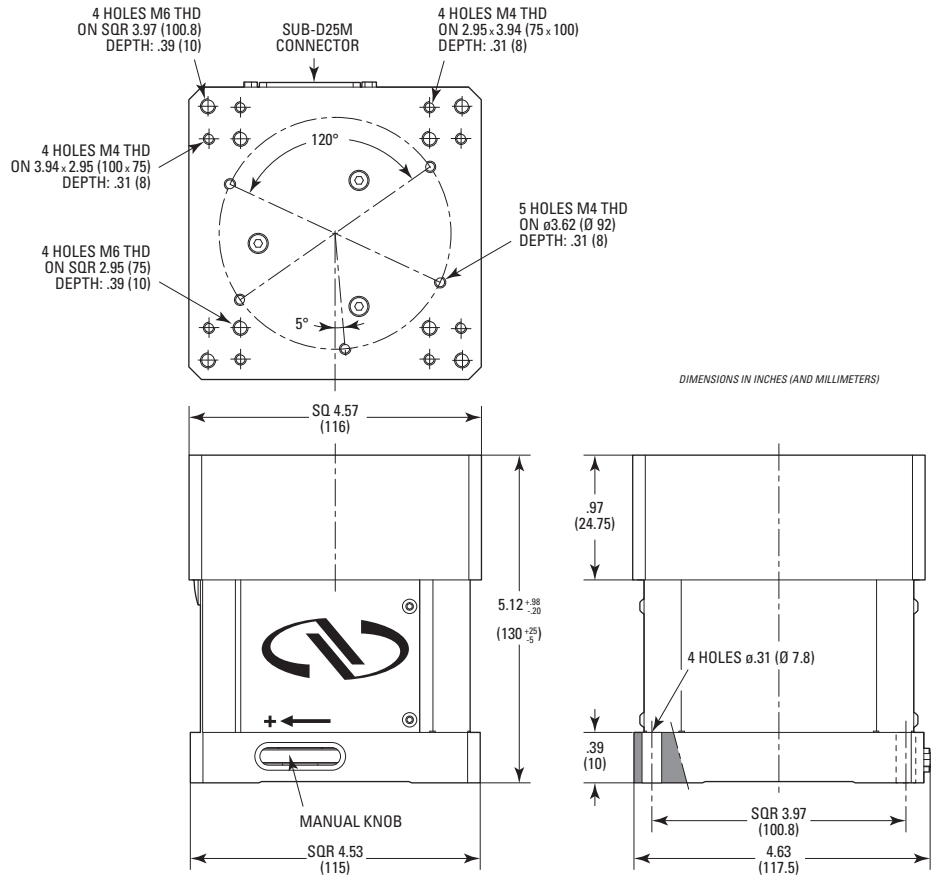
It is the customer's responsibility to modify the cable and take care of sensor signal connections, when using the stage with non-Newport controllers.

End-of-Runs and Mechanical Zero are open collector type with a 5.6 V protective Zener diode.



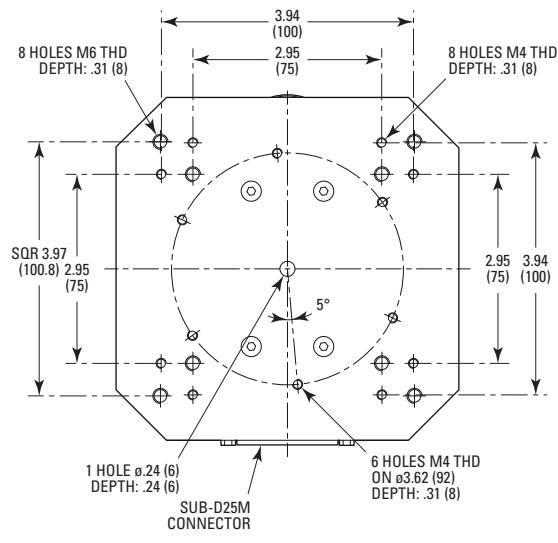
7.0 Dimensions

7.1 GTS30V Stage

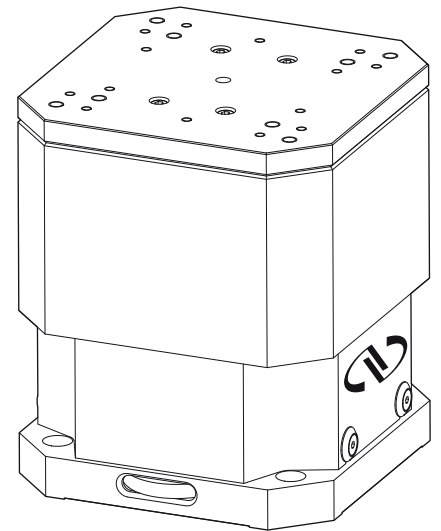
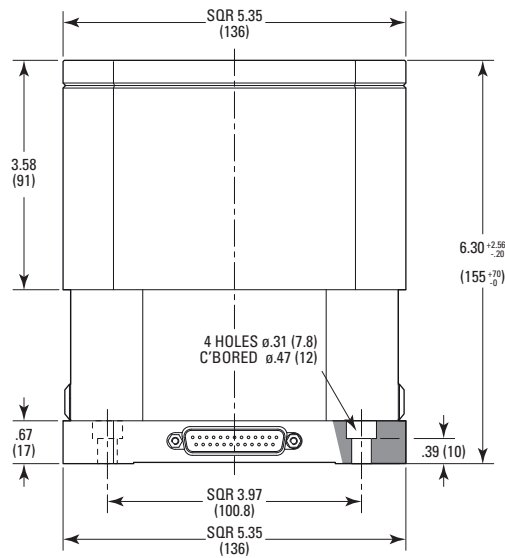


A compact XYZ assembly consisting of a GTS150 linear stage, a GTS70 linear stage and a GTS30V vertical stage.

7.2 GTS70V/GTS70VCC Stages



DIMENSIONS IN INCHES (AND MILLIMETERS)



8.0 Stage Installation

8.1 Unpacking

GTS-V stages are delivered in packaging that is designed for safe transport. It is recommended to carefully lift and remove the stage from packaging. Packaging can be kept and used for possible maintenance return.

8.2 Mounting Patterns

GTSV stages use M6 and M4 patterns for mounting. Base mounting pattern can adapt M6 on a 100 mm square pattern and also 1/4-20 on 4" pattern.

Recommended screw torques are:

M6 – 7 Nm

M4 – 2.1 Nm.

9.0 Maintenance

RECOMMENDATION

Please contact Technical Sales Support team for recommendations on application specific maintenance.

9.1 Maintenance

The GTS-V stage requires no particular maintenance. Nevertheless, this is a precision mechanical device that must be kept and operated with caution.

PRECAUTIONS

The GTS-V stage must be used or stocked in a clean environment, without dust, humidity, solvents or other substances.

RECOMMENDATION

It is recommended to return the stage to Newport for re-lubrication after 2000 hours of use.

If the GTS-V stage is mounted on a workstation and cannot be easily removed, please contact Newport's After Sales Service for further instructions.

9.2 Repair

CAUTION



Never attempt to disassemble a component of the stage that has not been covered in this manual.

To disassemble a non specified component can cause a malfunction of the stage.

If you observe a malfunction in your stage, please contact us immediately to arrange for a repair.



CAUTION

Any attempt to disassemble or repair a stage without prior authorization will void your warranty.

9.3 Calibration



CAUTION

It is recommended to return your GTS-V stage to Newport once a year for recalibration to its original specifications.



Visit Newport Online at:
www.newport.com

North America & Asia

Newport Corporation
1791 Deere Ave.
Irvine, CA 92606, USA

Sales

Tel.: (800) 222-6440
e-mail: sales@newport.com

Technical Support

Tel.: (800) 222-6440
e-mail: tech@newport.com

Service, RMAs & Returns

Tel.: (800) 222-6440
e-mail: service@newport.com

Europe

MICRO-CONTROLE Spectra-Physics S.A.S
9, rue du Bois Sauvage
91055 Évry CEDEX
France

Sales & Technical Support

Tel.: +33 (0)1.60.91.68.68
e-mail: france@newport.com

Service & Returns

Tel.: +33 (0)2.38.40.51.55

