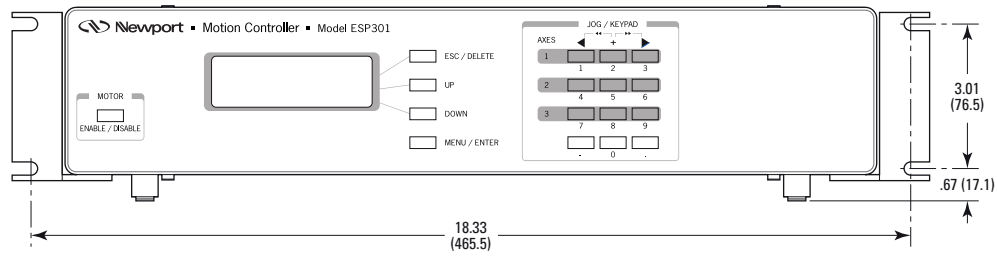
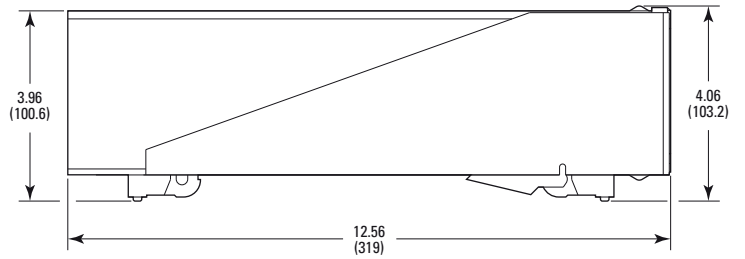
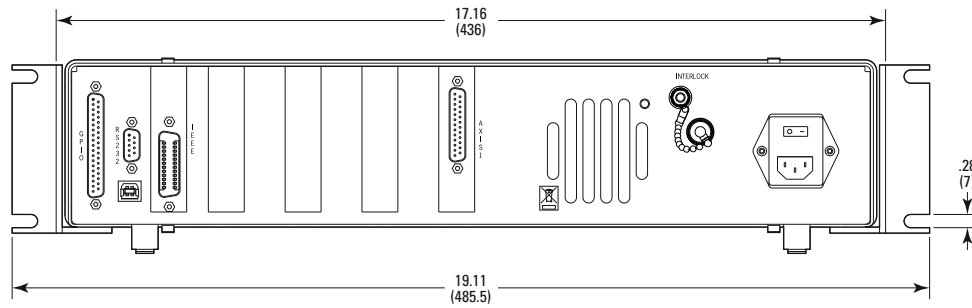


**FRONT VIEW**



**REAR VIEW**



**MODEL SHOWN: ESP301-1G**  
DIMENSIONS IN INCHES (AND MILLIMETERS)  
0 1.0 2.0 3.0 4.0 IN.  
0 50 100 (MM)  
SCALE 1=4

