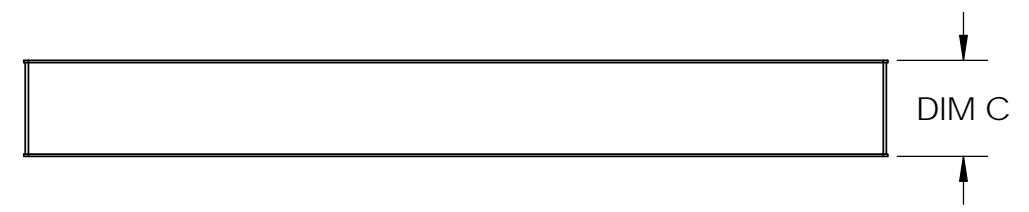
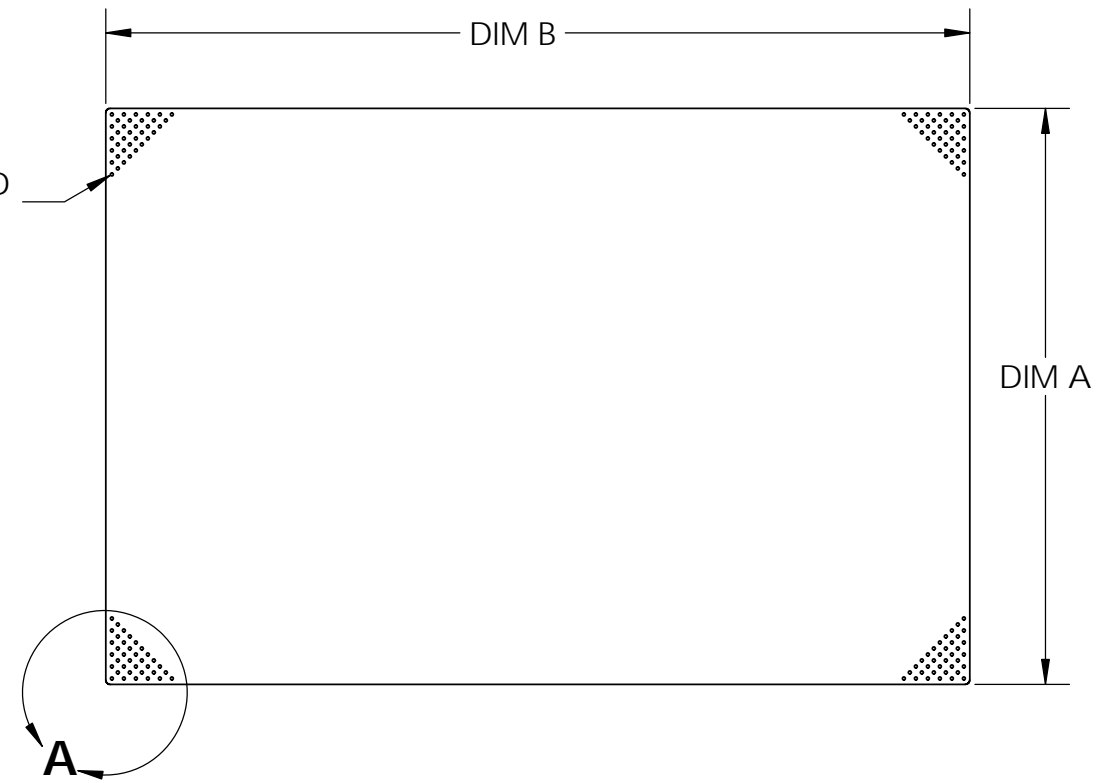


MODEL NUMBER	DIM A (in [mm])	DIM B (in [mm])	DIM C (in)	DIM D (in)
RS2000D-46-8	48.0	72.0	8.0	16.0
RS2000D-48-8	48.0	96.0	8.0	22.0
RS2000D-410-8	48.0	120.0	8.0	27.0
RS2000D-510-8	59.1	120.0	8.0	27.0
RS2000D-46-12	48.0	72.0	12.0	16.0
RS2000D-48-12	48.0	96.0	12.0	22.0
RS2000D-410-12	48.0	120.0	12.0	27.0
RS2000D-510-12	59.1	120.0	12.0	27.0
M-RS2000D-46-8	47.2 [1200]	70.9 [1800]	8.0	16.0
M-RS2000D-48-8	47.2 [1200]	94.5 [2400]	8.0	22.0
M-RS2000D-410-8	47.2 [1200]	118.1 [3000]	8.0	27.0
M-RS2000D-510-8	59.1 [1500]	118.1 [3000]	8.0	27.0
M-RS2000D-46-12	59.1 [1200]	70.9 [1800]	12.0	16.0
M-RS2000D-48-12	47.2 [1200]	94.5 [2400]	12.0	22.0
M-RS2000D-410-12	47.2 [1200]	118.1 [3000]	12.0	27.0
M-RS2000D-510-12	59.1 [1500]	118.1 [3000]	12.0	27.0

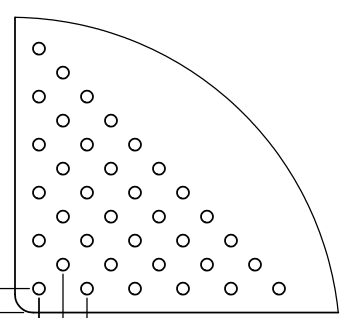
1/4-20 UNC-2B TYP FOR RS2000D
M6x1.0-6H TYP FOR M-RS2000D



.50 IN TYP BORDER FOR RS2000D
12.5mm TYP BORDER FOR M-RS2000D

.50 IN TYP FOR RS2000D
12.5mm TYP BORDER FOR M-RS2000D

1.00 IN TYP FOR RS2000D
25.0mm TYP FOR M-RS2000D



DETAIL A

