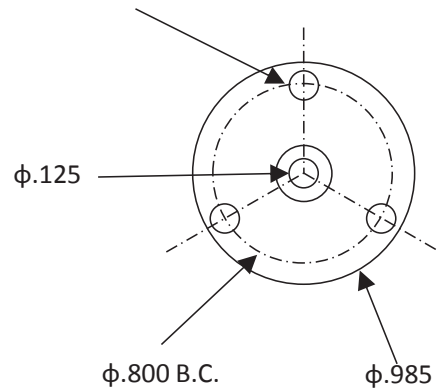


3X ϕ .128 EQUALLY SPACED AT
120 DEGREES



.250-36 UNS-2A
THREAD

