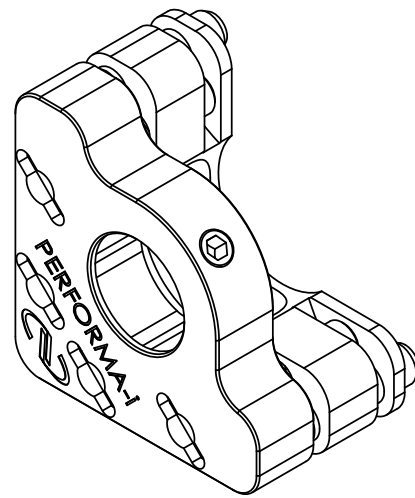
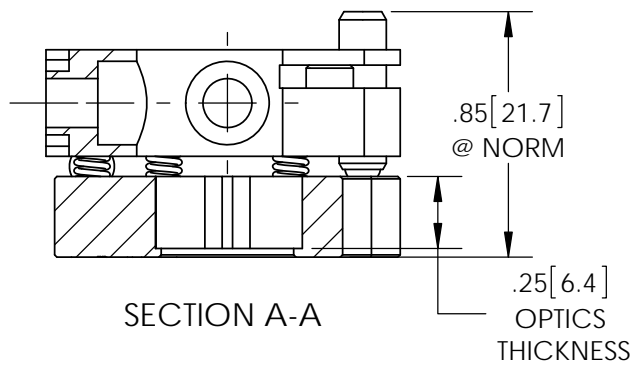


2X 5/64[2] HEX FOR PITCH/YAW ADJUSTMENT & 2X 5/64 HEX FOR P/Y LOCKING



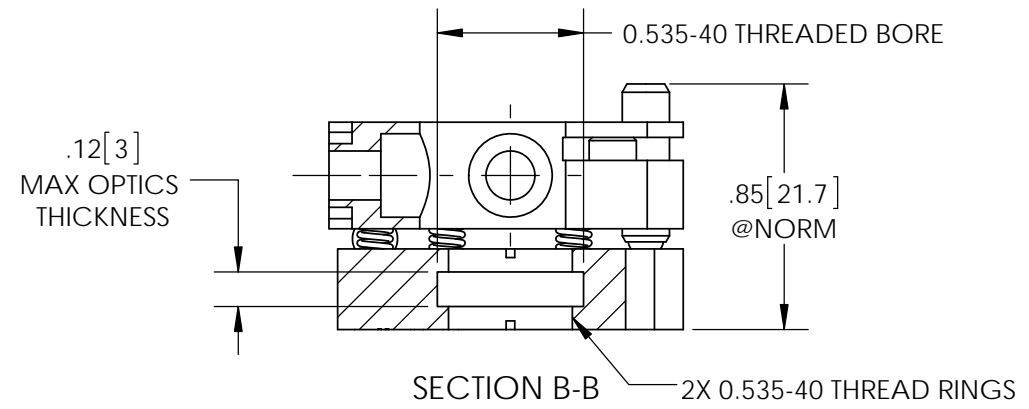
MODEL: P50-Ai21



SECTION A-A

.85 [21.7] @ NORM

.25 [6.4] OPTICS THICKNESS



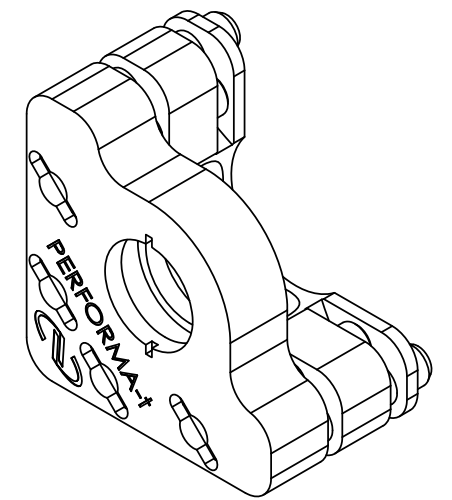
SECTION B-B

0.535-40 THREADED BORE

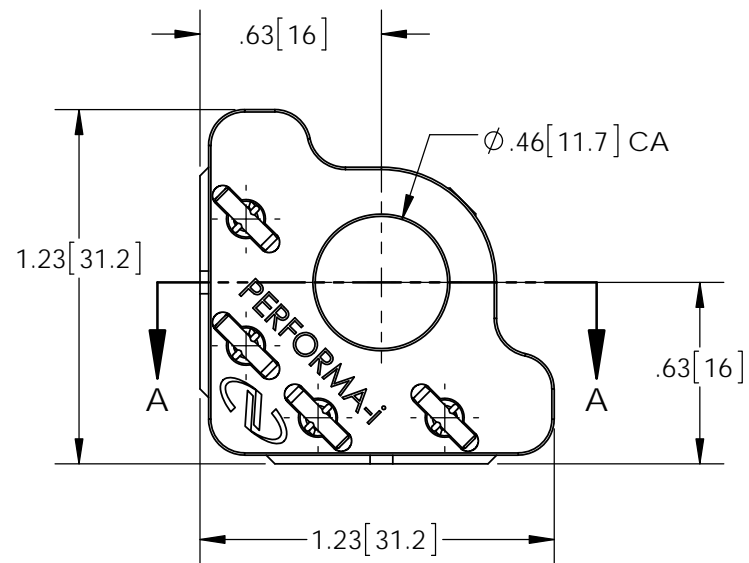
.12 [3] MAX OPTICS THICKNESS

.85 [21.7] @ NORM

2X 0.535-40 THREAD RINGS



MODEL: P50-At21



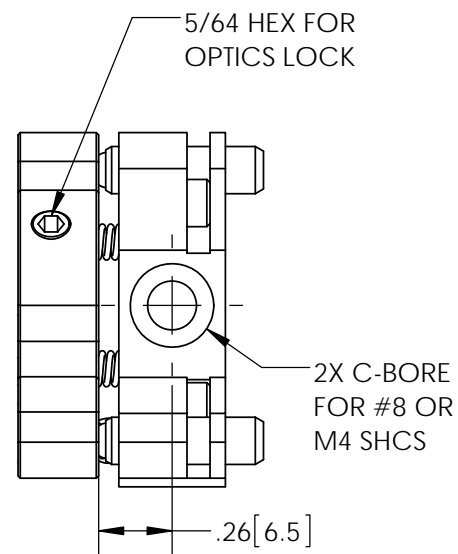
1.23 [31.2]

.63 [16]

Ø.46 [11.7] CA

.63 [16]

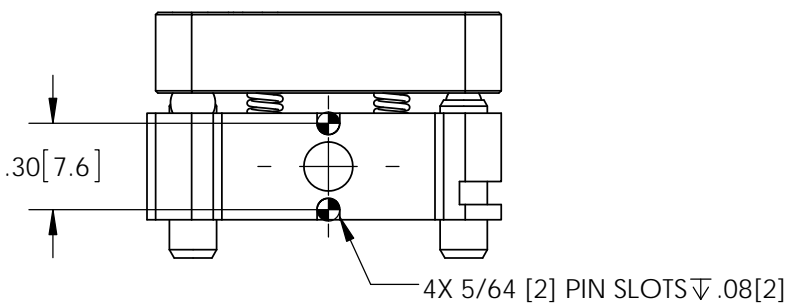
1.23 [31.2]



5/64 HEX FOR OPTICS LOCK

2X C-BORE FOR #8 OR M4 SHCS

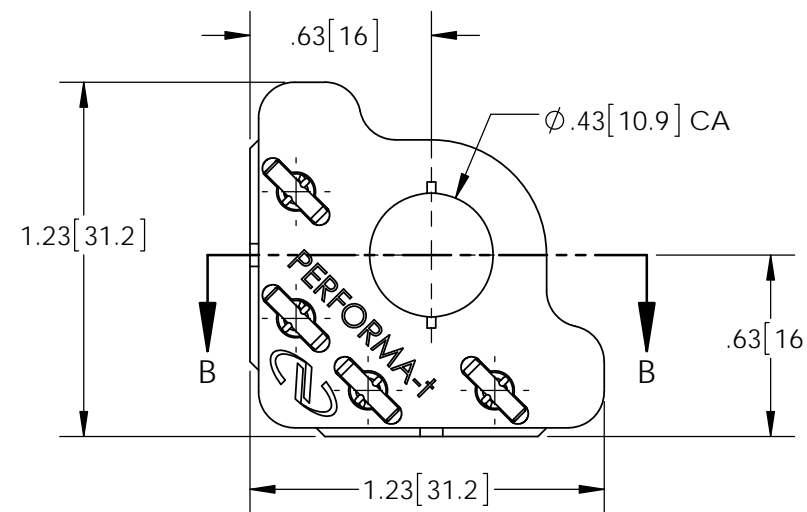
.26 [6.5]



.30 [7.6]

4X 5/64 [2] PIN SLOTS ∇ .08 [2]

MODEL: P50-Ai21



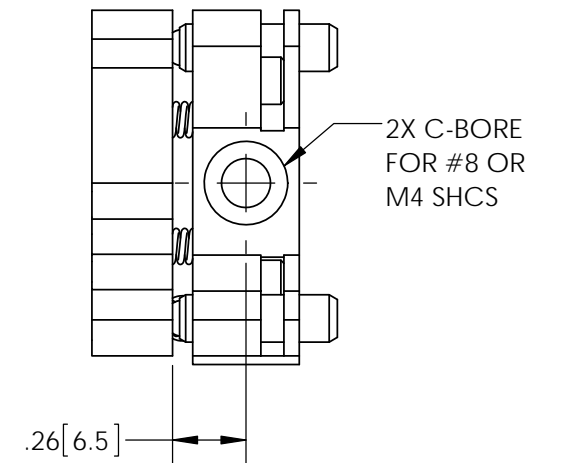
1.23 [31.2]

.63 [16]

Ø.43 [10.9] CA

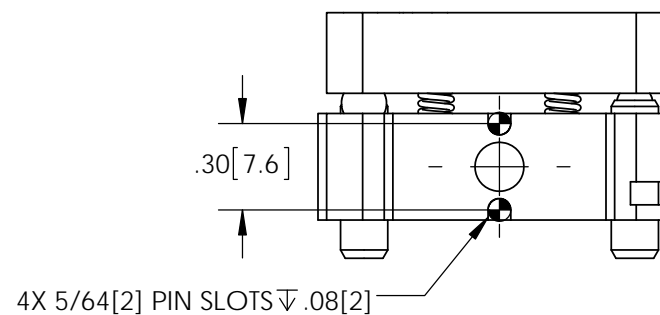
.63 [16]

1.23 [31.2]



2X C-BORE FOR #8 OR M4 SHCS

.26 [6.5]



.30 [7.6]

4X 5/64 [2] PIN SLOTS ∇ .08 [2]

MODEL: P50-At21



Newport®

Experience | Solutions