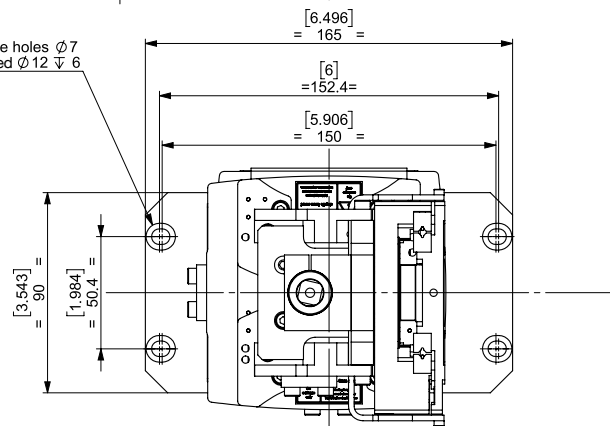
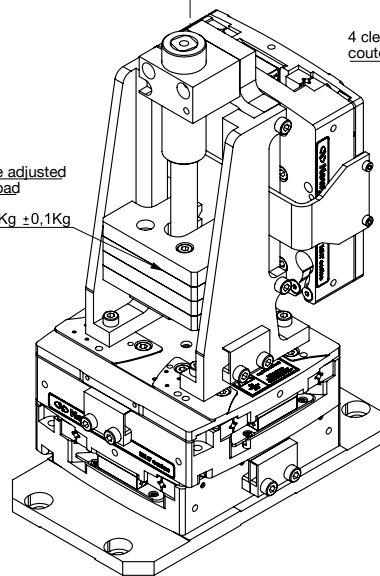


⚠  
 Number of countermass to be adjusted according to the carried payload  
 Each countermass = 0,1Kg  
 Payload + countermass = 0,5Kg  $\pm 0,1$ Kg



Model	A	B
	Stage interface from bottom	Stage total height
MLT25-XYZ	156 +12.5 [6.14 +0.49]	239 +15/0 [9.41 +0.6/0]
MLT50-XYZ	170 +25 [6.69 +0.98]	265 +18/0 [10.43 +0.71/0]