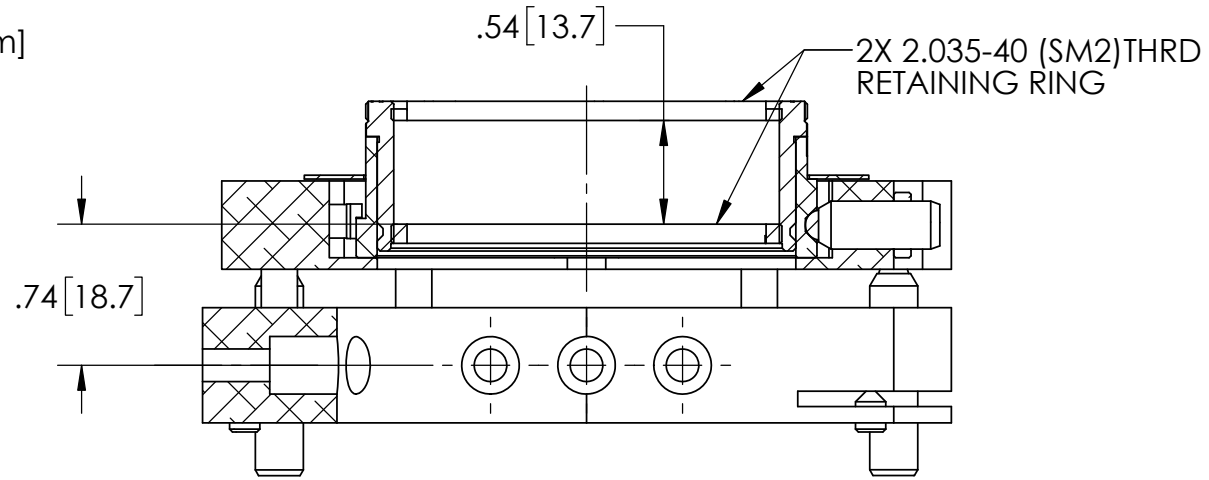
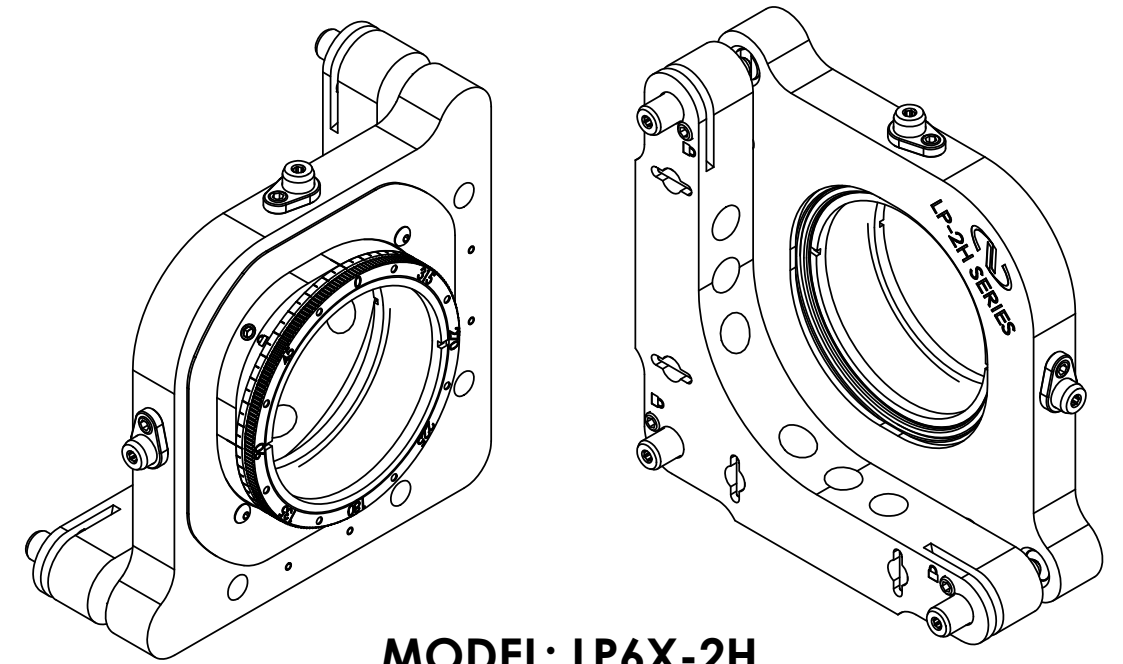


TECH SPECS:

1. PITCH/YAW: $\pm 4^\circ$ AT 3.1mrad/rev
2. X / Y TRANSLATION: $\pm 2\text{mm}$ AT 254 $\mu\text{m}/\text{rev}$
3. Z TRANSLATION: $\pm .126$ [3.2mm] AT 254 $\mu\text{m}/\text{rev}$
4. ROTATION: 360 DEGREE
5. MAX OPTICS EDGE THICKNESS: 0.54 [13.7mm]



SECTION A-A



MODEL: LP6X-2H

