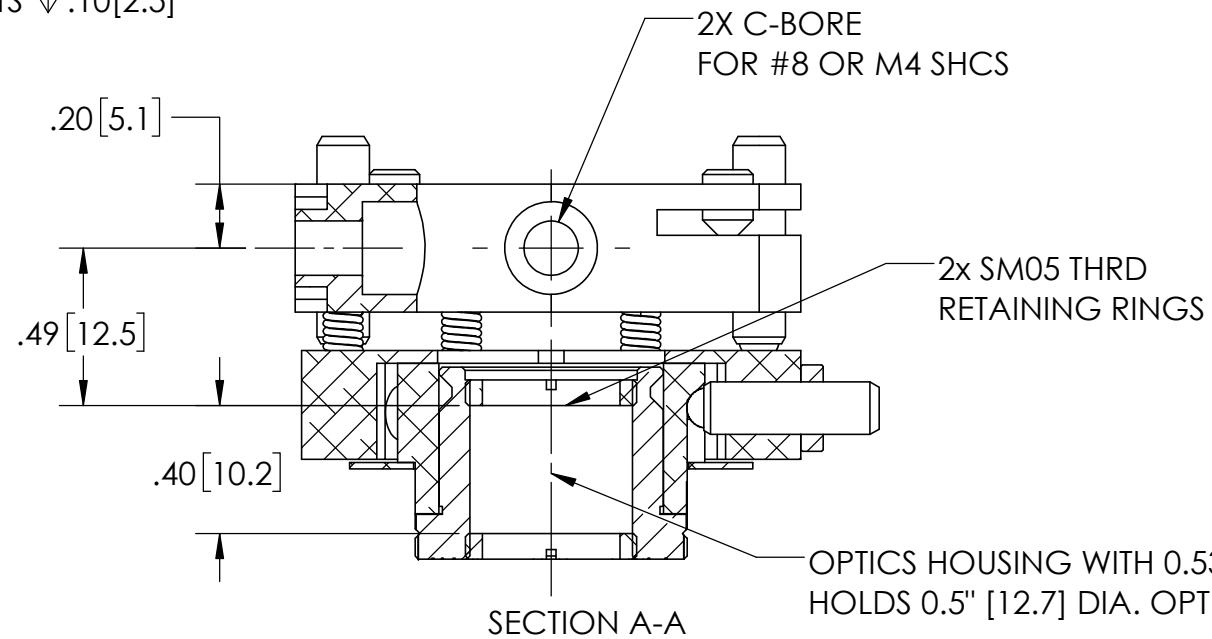
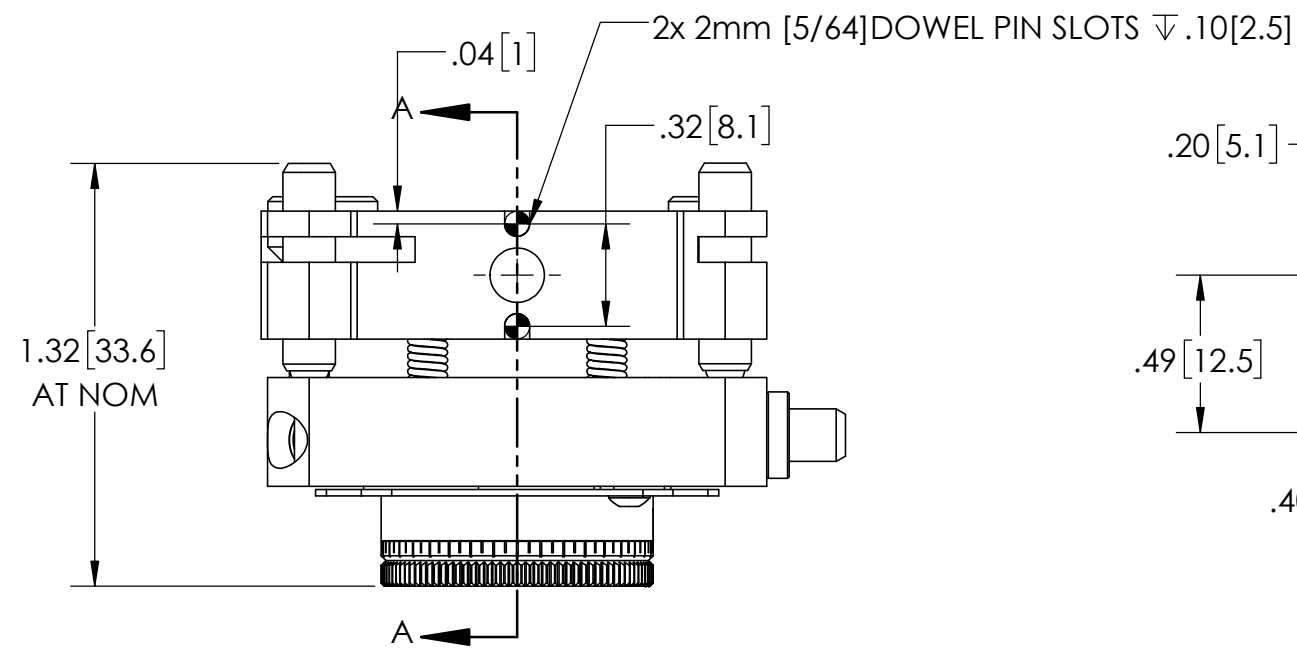
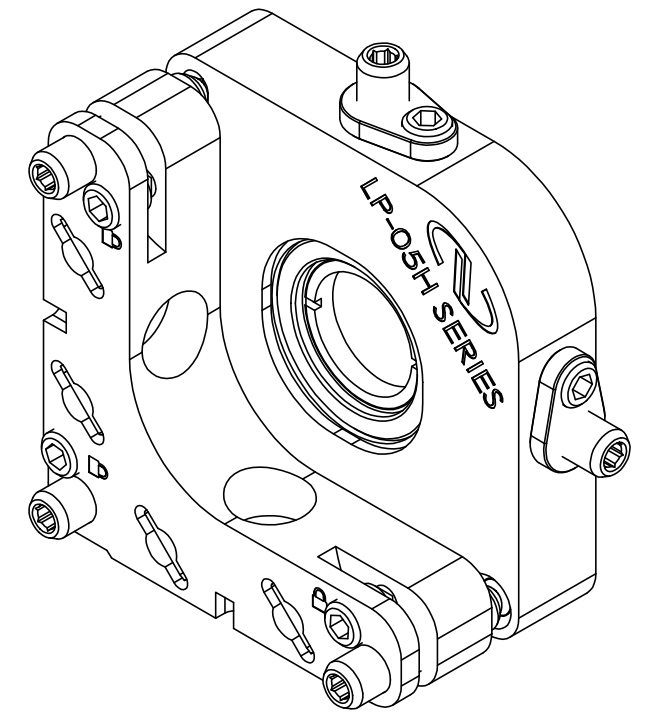
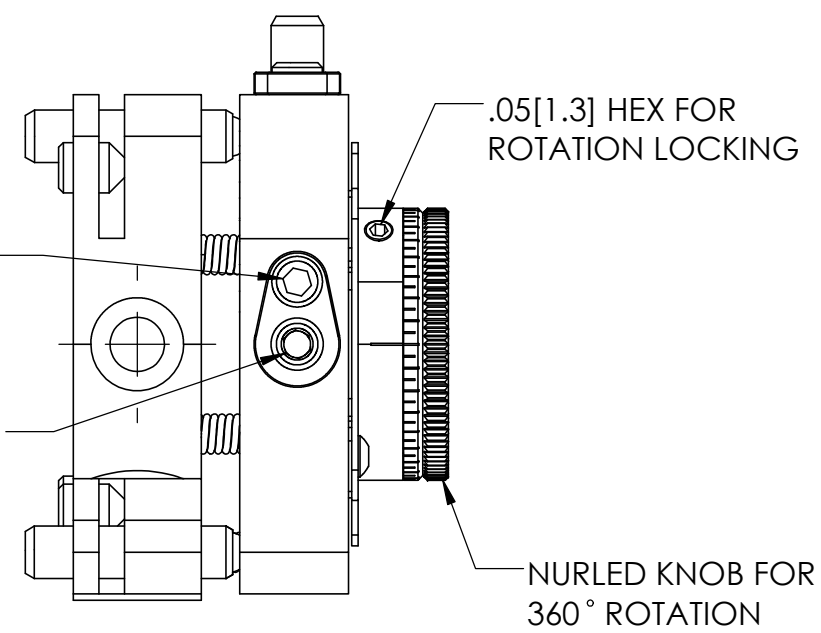


2x X/Y ADJUSTMENT LOCKING WITH 5/64 [2] HEX

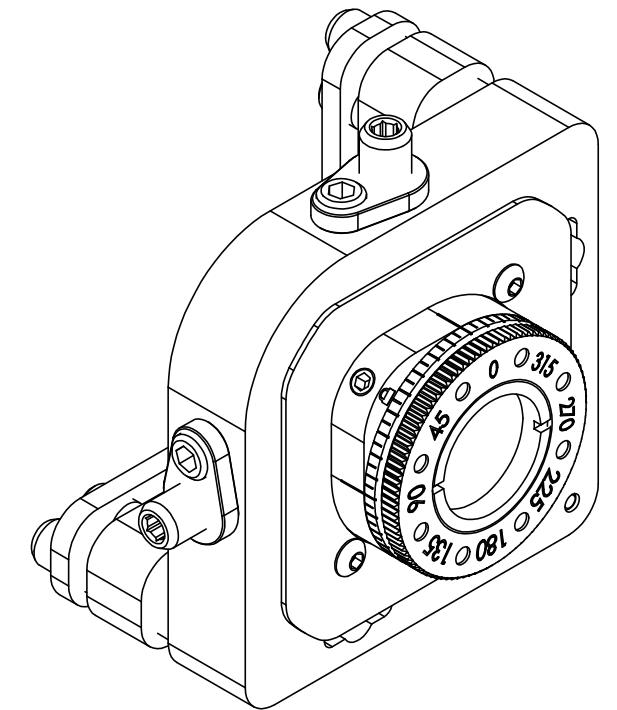
2x 5/64 [2] HEX FOR X/Y ADJUSTMENT

3x 5/64 [2] HEX FOR P/Y AND Z LOCKING

3x 100 TPI DRIVE SCREWS FOR PITCH/YAW AND Z ADJUSTMENT WITH 5/64 [2] HEX DRIVE



OPTICS HOUSING WITH 0.535-40 THD HOLDS 0.5" [12.7] DIA. OPTICS.



MODEL: LP6X-05H

TECH SPECS:

1. PITCH/YAW: $\pm 4^\circ$ AT 5 mrad/rev
2. X / Y TRANSLATION: ± 2 mm AT 254 μ m/rev
3. Z TRANSLATION: $\pm .120$ [3mm] AT 254 μ m/rev
4. MAX OPTICS EDGE THICKNESS: 0.40 [10.2mm]



Newport

Experience | Solutions