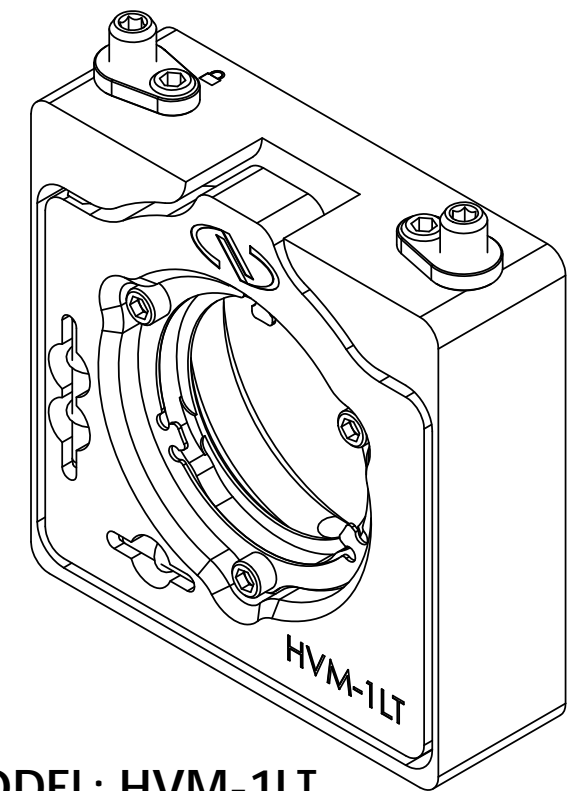
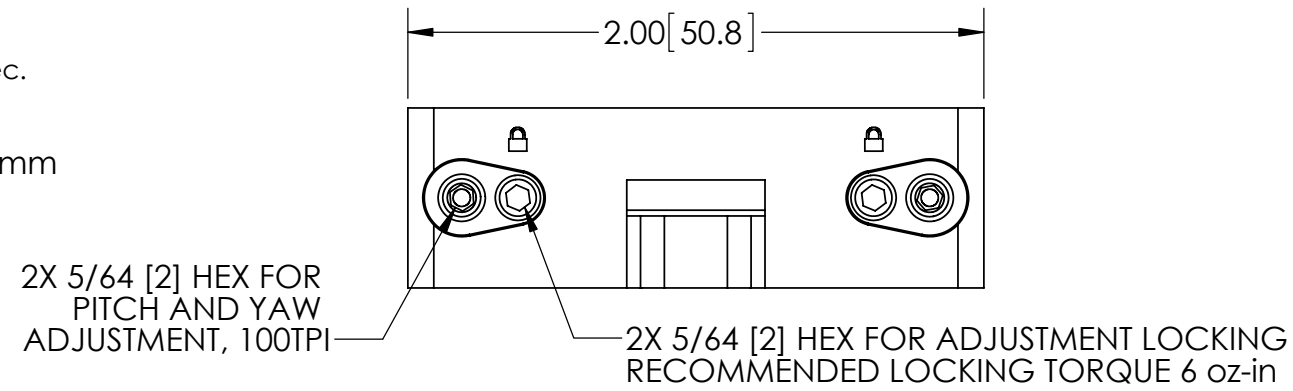
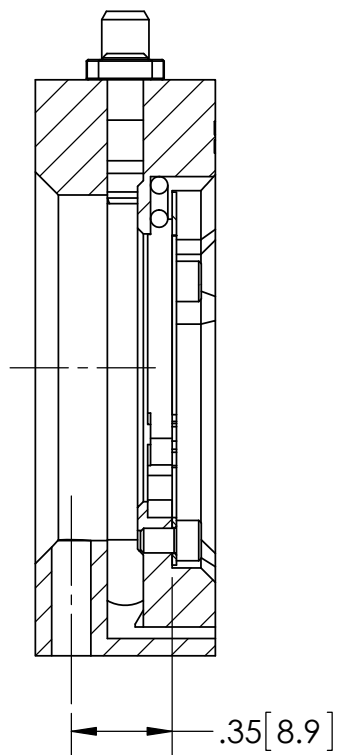


TECH SPECS:

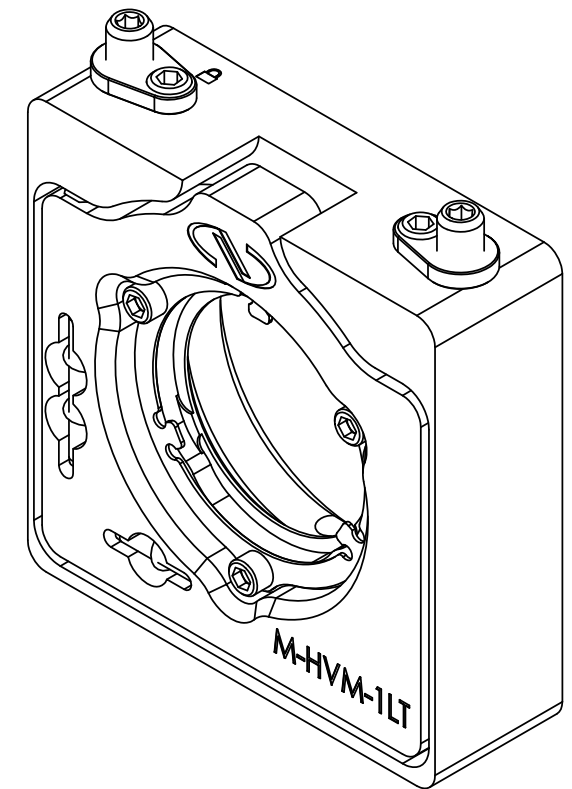
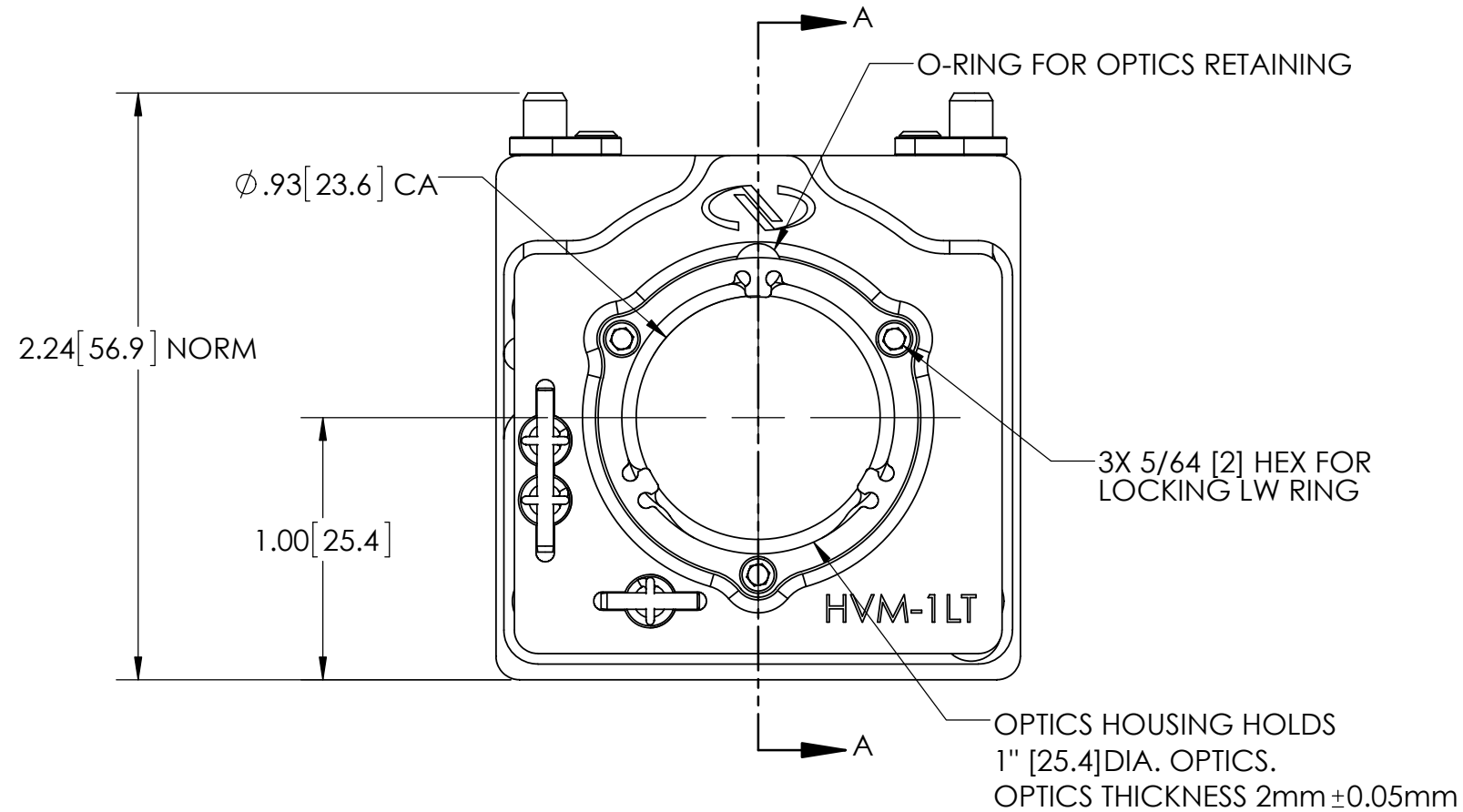
1. ANGULAR ADJUSTMENT: $\pm 3.5^\circ$
2. SENSITIVITY: θ_X 2.98 arc sec; θ_Y 2.05 arc sec.
3. CLEAR APERTURE: $\phi .93$ [23.6mm]
4. OPTICS AXIS HEIGHT: 1.0[25.4mm]
5. OPTIMAL OPTICS THICKNESS: $2\text{mm} \pm 0.05\text{mm}$



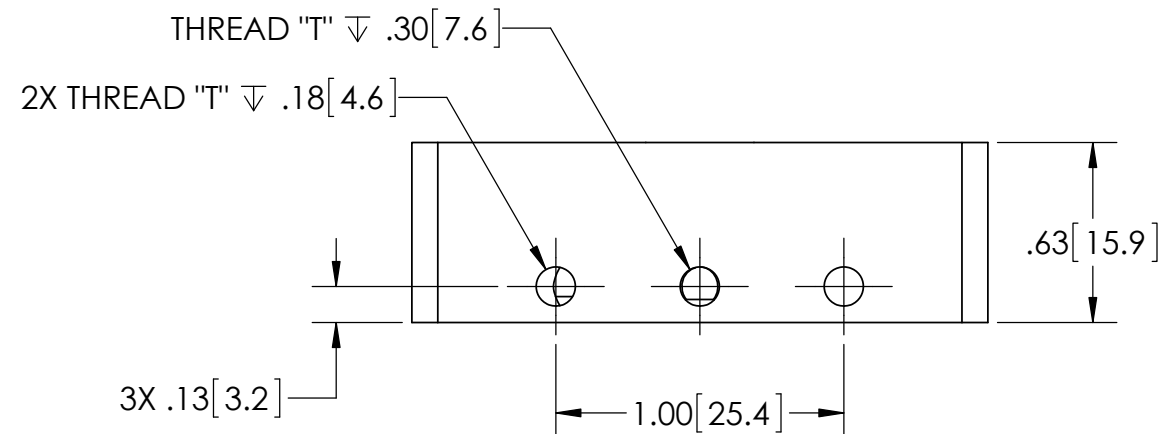
MODEL: HVM-1LT



SECTION A-A



MODEL: M-HVM-1LT



MODEL No.	THREAD "T"
HVM-1LT	# 8-32
M-HVM-1LT	M4 x 0.7