

# 80-MHz Balanced Photoreceivers

*Models 1807 and 1817*



---

*These photoreceivers are sensitive to electrostatic discharges and could be permanently damaged if subjected to any discharges. Ground yourself adequately prior to handling these detectors or making connections. A ground strap provides the most effective grounding and minimizes the likelihood of electrostatic damage.*

---

 **Newport**<sup>™</sup>

phone: (877) 835-9620

e-mail: [tech@newport.com](mailto:tech@newport.com)

[www.newport.com](http://www.newport.com)

## Warranty

Newport Corporation guarantees its products to be free of defects for one year from the date of shipment. This warranty is in lieu of all other guarantees, expressed or implied, and does not cover incidental or consequential loss. Information in this document is subject to change without notice.

Copyright 2001-1998, 2013, Newport Corporation. All rights reserved.

The New Focus logo and symbol are registered trademarks of Newport corporation.

Document Number 9009991 Rev. D

# Contents

Introduction	5
Overview.....	5
Operation	7
Quick Start.....	7
General Principles.....	9
Customer Service	13
Technical Support.....	13
Service .....	13
Specifications	14

This page was intentionally left blank.

# Introduction

---

## Overview

The Newport Model 18X7 balanced photoreceiver consists of two matched photodiodes and a high-speed amplifier that generates an output voltage proportional to  $I_2 - I_1$ , the difference between the photocurrents in the two photodiodes.

The Quick Start and General Principles sections below give an overview of setting up the photoreceiver and understanding its principles and design. The sections that follow give detailed information about the technical specifications.

This page was intentionally left blank.

# Operation

---

## Quick Start

The following parts are supplied with the Model 18X7 balanced photoreceiver:

- Model 0923 M8B-to-M8B connector power cable
- Model 0924 M8B-to-banana plug power cable
- Model 1225 SMA-to-BNC adapter

The steps below describe the basics of setting up and using the photoreceiver.

1. Use one of the supplied power cables to connect the photoreceiver to a  $\pm 15$ -volt power source that can supply 200 mA (the minimum current requirement for DC power supply is 100mA).

For the Newport Model 0901 power supply, use the 0923 M8B-to-M8B cable. For other power supplies, use the 0924 M8B-to-banana plug power cable.



*When using the M8B-to-banana plug cable, take care to hook up the banana plugs as follows to avoid damaging the photoreceiver: Red = +15 V, Black = -15 V, Green = Ground.*

2. Mount the photoreceiver to your optical table.
3. Connect the optical source to both optical inputs. The FC adapter for both types of 18X7 photoreceiver will accommodate either multi-mode or single-mode fiber.



*To prevent saturation of the amplifier, keep the difference between the input powers less than the saturation power shown in Specifications.*



---

*The optical power must remain below the absolute maximum power listed in Specifications. Exceeding the maximum power may damage the photodiode and the amplifier.*

---

4. Individually block each photodiode input to check and adjust the optical inputs so that the output voltages are in the desired  $-2.5$  to  $+2.5$  V range (with  $50 \Omega$  load).

Illuminate both diodes simultaneously and use the output to fine-tune the optical power balance between the two diodes while observing voltage on a digital voltmeter or other low-frequency measurement device.



- Finally, connect the output SMA connector to the desired load or instrument via a 50-Ω coaxial cable.

## General Principles

The Newport Model 18X7 balanced photoreceiver consists of two matched photodiodes and a high-frequency amplifier that generates an output voltage proportional to  $I_2 - I_1$ , the difference between the photocurrents in the two photodiodes. Figure 1 shows a functional block diagram of the balanced photoreceiver, and Figure 2 shows the mechanical drawing.

Figure 1:  
Functional  
block diagram  
of the Model  
18X7

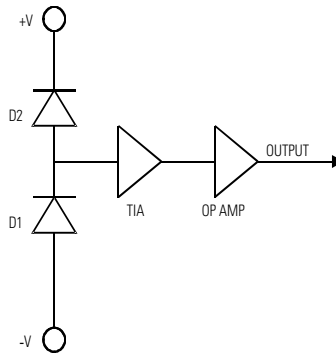
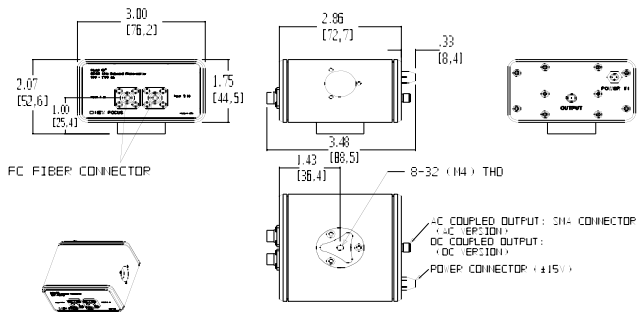


Figure 2:  
Mechanical  
drawing of the  
balanced  
photoreceiver

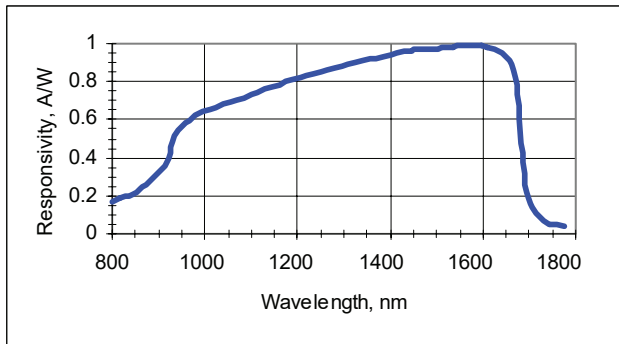
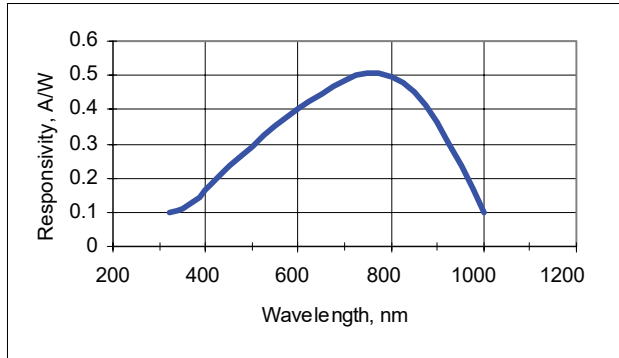


Unless otherwise noted, dimensions are in inches with metric dimensions in mm in brackets.

## Responsivity and Input Power

The Model 1807 uses a matched pair of silicon photodiodes, while the Model 1817 uses a matched pair of InGaAs photodiodes. Figure 3 shows the typical responsivity of the photodiodes.

Figure 3:  
Typical  
responsivities  
of the  
photodiodes in  
Model 1807  
(top) and  
Model 1817  
(bottom)



## Gain, Bandwidth and Noise

The amplifier is a low-noise device with low output impedance. The amplifier's transimpedance gain is 40 V/mA when driving a 50-ohm load.

Depending on wavelength (see typical responsivity curves in Figure 3 above), the amplifier will reach saturation levels when the difference between the two photo inputs is approximately 110  $\mu$ W (for responsivity of 0.5 A/W). For a high-impedance load, the maximum output voltage will be

approximately  $\pm 4$  V before the amplifier is saturated. For a 50- $\Omega$  load, the maximum output voltage will be approximately  $\pm 2$  V before saturation.

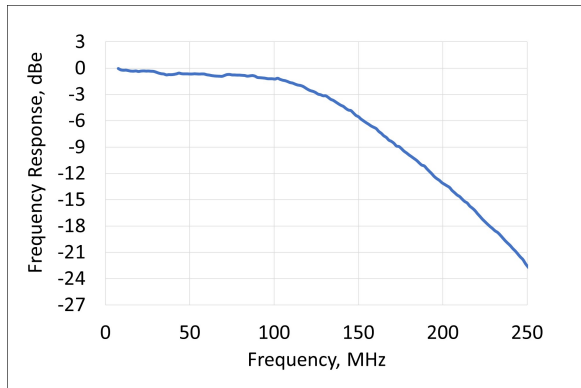
The 3-dB bandwidth is typically in excess of 80 MHz for the Model 18X7 photoreceivers. See the typical frequency response plot in Figure 4.

To detect a weaker signal, you can reduce the noise by adding an electronic bandpass filter at the output of the photoreceiver, or consider the 125 kHz bandwidth Nirvana Auto balanced photoreceiver, Model 20X7, or use lock-in amplifier and chopper techniques to further narrow your measurement bandwidth.

---

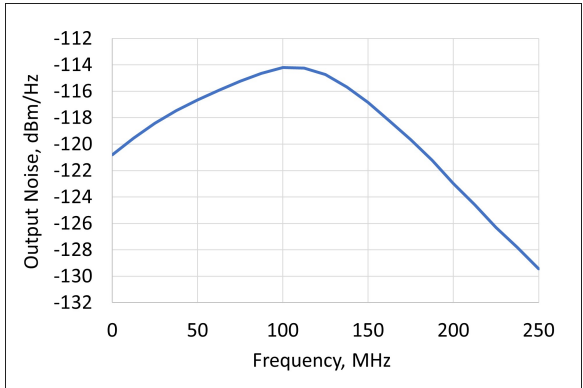
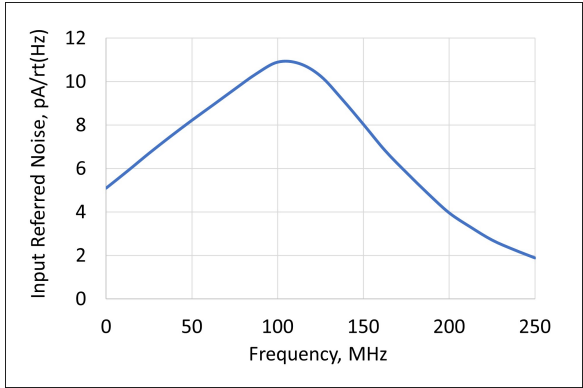
Figure 4:  
Typical  
Frequency  
Response for  
the 18X7  
Products

---



The noise for the 18X7 family is 5 mVrms when measured on a >250-MHz, 50-ohm oscilloscope. For additional information on 18X7 noise performance, see the typical Input Referred Noise and typical Output Noise plots in Figure 5 on the next page.

Figure 5:  
Typical Input  
Referred Noise  
(top) and  
typical Output  
Noise (bottom)  
for the 18X7  
products



# Customer Service

---

## Technical Support

Information and advice about the operation of any Newport product is available from our technical support engineers. For quickest response, ask for “Technical Support” and know the model number and serial number of your photoreceiver.

Hours: 8:00-5:00 PST, Monday through Friday (excluding holidays)

Phone: 1-877-835-9620

Support is also available by email and chat

Chat: Connect with us at [www.Newport.com](http://www.Newport.com)

Email: [tech@newport.com](mailto:tech@newport.com)

We typically respond to email within one business day

---

## Service

In the event that your photoreceiver malfunctions or becomes damaged, please contact Newport for a return merchant authorization (RMA) number and instructions on shipping the unit back for evaluation and repair.

# Specifications

	<b>Model 1807</b>	<b>Model 1817</b>
Wavelength Range	320–1000 nm	900–1700 nm
3-dB Bandwidth	DC–80 MHz	DC–80 MHz
Common Mode Rejection Ratio	25 dB typical	25 dB typical
Conversion Gain	$2 \times 10^4$ V/W	$4 \times 10^4$ V/W
Typical Max. Responsivity	0.5 A/W @760nm	1.0 A/W @1550nm
Transimpedance Gain*	40 V/mA	40 V/mA
Output Impedance	33 $\Omega$	33 $\Omega$
Integrated Noise	5 mVrms	5 mVrms
CW Saturation Power (Differential) ( $\mu$ W)	110 @ 760 nm	55 @ 1550 nm
Max. Differential Power (Damage Threshold) (mW)	10 @ 760 nm	5 @ 1550 nm
Max. Power per Photo-diode (Damage Threshold) (mW)	10 @ 760 nm	5 @ 1550 nm
Detector Material/Type	Si/PIN	InGaAs/PIN
Detector Active Area	0.4 mm diameter	0.15 mm diameter
Optical Input	FC or free space	FC or free space
Electrical Output	SMA	SMA
Package Dimension	3.00 x 2.86 x 2.07 inches	3.00 x 2.86 x 2.07 inches
Power Supply Requirement	$\pm 15$ V DC, <200 mA (Model 0901 recommended)	$\pm 15$ V DC, <200 mA (Model 0901 recommended)

\* When driving a 50  $\Omega$  load