

USER'S GUIDE

±15 V Current-Limited Power Supply

Model 0901

 **Newport**[™]

phone: (877) 835-9620
e-mail: tech@newport.com • www.newport.com

EU Declaration of Conformity

We declare that the accompanying product, identified with the CE mark, complies with requirements of the Electromagnetic Compatibility Directive 2004/108/EC and the Low Voltage Directive 2006/95/EC.

Model Numbers: 0901

Year CE mark affixed: 2013

Type of Equipment: Electrical equipment for measurement, control and laboratory use in industrial locations.

Manufacturer: Newport Corporation
1791 Deere Avenue
Irvine, CA 92606

Standards Applied:

Compliance was demonstrated to the following standards to the extent applicable:

BS EN61326-1: 2005/2006 “Electrical equipment for measurement, control and laboratory use – EMC requirements” for use in a controlled electromagnetic environment.

This equipment meets the CISPR 11:2011 radiated and conducted emission limits.

BS EN 61010-1:2011, “Safety requirements for electrical equipment for measurement, control and laboratory use”.



Mark Carroll
Sr. Director, Instruments Business,
Newport Corporation

Warranty

Newport Corporation guarantees its products to be free of defects for one year from the date of shipment. This is in lieu of all other guarantees, expressed or implied, and does not cover incidental or consequential loss. Information in this document is subject to change without notice. Copyright 2014, 2001-1998, Newport Corporation. All rights reserved. The New Focus logo and symbol are registered trademarks of Newport Corporation
Document Number 90061076 Rev. A

Contents

Warranty.....	2
Important User Safety Information.....	4
General Warnings	4
Definitions and Symbols	5
Environmental Specifications	5
Contact Information	6
Introduction.....	7
Getting Started	8
Voltage and Fuse Selection	8
Operation.....	10
Output Characteristics	10
Cables	11
Customer Service	12
Technical Support	12
Service	12

IMPORTANT USER SAFETY INFORMATION –DO NOT DISCARD

General warning in the event of a hazard

- Do not position this device in such a manner that would make it difficult to disconnect the power cord from the device or the power source.
- Position the equipment so that access to the mains disconnect ON/OFF switch on the front panel readily available.
- Push the power ON/OFF switch in the front of the device to OFF position to turn OFF the power to the internal electronics. The OFF position: push the actuator or switch rocker arm so the “O” depressed. (To connect power to device, push the actuator or switch rocker arm so the “I” depressed).
- Fully disconnect the power cord of the device from MAIN power.

Grounding and Powering the device

- Verify that the line voltage setting on the rear of the Power Supply Model 0901 matches the local Main Power from the power cord.
- Verify that proper fuses installed for amps and time delay.
- To avoid electronic shock, connect the instrument to properly earth-ground, 3-prong receptacles by using the supplied power cord only . Failure to observe this precaution can reduce equipment performance.

General warning and precaution

- Do not attempt to operate this equipment if there is evidence of shipping damage or you suspect the unit is damaged.
- The user should not attempt any maintenance or service of the device beyond the procedures outlined in this manual. Any problem that cannot be resolved should be referred to Newport Technical Support.

Definitions and Symbols

The following terms and symbols are used in this documentation and appear on the Model 0901 Power Supply where safety-related issues occur.



Electronic shock – This symbol indicates a hazard arising from dangerous voltage. Any mishandling could result in irreparable damage to the equipment and personnel injury .



ON Symbol – This symbol represents Power On



OFF Symbol – This symbol represents Power Off



Attention – Refer to the operator instructions of manual before operating equipment.

Environment Specification

Voltage Requirements	100/120/220/240 ~VAC, 47.5-66Hz
Electrical Ratings	100-120~VAC, 0.5A; and 220-240~VAC, 0.25A (47.5-660Hz)
Size (H x W x D) [in. (mm)]	3.5 (90.0) x 7.65 (195.0) x 8.0 (200.0)
Mainframe Weight [lb (Kg)]	6.5 (2.8)
Operating Temperature	10°C to 40°C (<90% humidity non-condensing)
Storage Temperature	0°C to + 50°C (<90% humidity non-condensing)
Relative Humidity , Storage	<90% humidity non-condensing
Altitude	<3000 meters (10000 feet)
Installation Category	II
Pollution Degree	2
Use Location	Indoor use only

The power entry module requires two 5x20 mm, Slo-Blo fuses. The table below identifies the correct voltage selector switch setting and fuse rating for several common AC power .

Input Power	Voltage Switch Setting	Fuse Type
100 VAC	100	A
120 VAC	120	A
220 VAC	220	B
240 VAC	240	B

Fuse Type A: Slo-Blo, 250 V, 0.5 A, $i^2t \geq 1.985 \text{ A}^2\text{s}$, 5 mm x 20 mm

Fuse Type B: Slo-Blo, 250 V, 0.4 A, $i^2t \geq 1.36 \text{ A}^2\text{s}$, 5 mm x 20 mm

Note: The AC power module requires two fuses. The fuse specifications must match all listed specification requirements to ensure proper operation.

Introduction

The Newport Model 0901 Power Supply is a triple output, low-noise, $\pm 15\text{-V}$ DC power supply. It is intended for use with all Newport brand products which require $\pm 15\text{-V}$ DC, and can also serve as a general purpose supply for laboratory use. It is capable of simultaneously powering three devices, each requiring $\pm 15\text{ V}$ and up to 300 mA. Two of the outputs are provided via three-pin M8 style connectors (compatible with other Newport products), while the third uses banana jacks. (See Figure 1.)

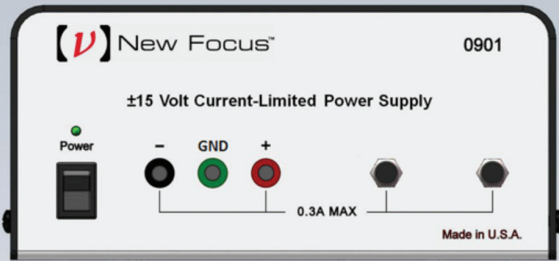


Figure 1: Model 0901 front panel.

Getting Started

Voltage and Fuse Selection

The Model 0901 can operate with an input of 100, 120, 220, or 240 V AC with AC frequencies of 47–63 Hz.

The unit is configured for 120 V AC at the factory; if it will be used with a different AC voltage, this will need to be selected on the power module on the back panel. The fuses may also need to be changed. See below.

To check the voltage setting, look at the voltage indicator on the AC power module on the back of the power supply. (See Figure 2.)

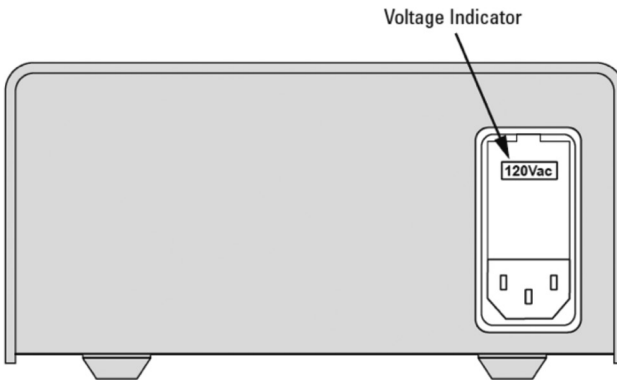


Figure 2: Model 0901 rear panel showing AC power module & voltage indicator.

To change the voltage/fuses:

1. Make sure the power supply is turned off.
2. Disconnect the AC power cord.
3. Open the cover of the power module using a small blade screwdriver or similar tool.

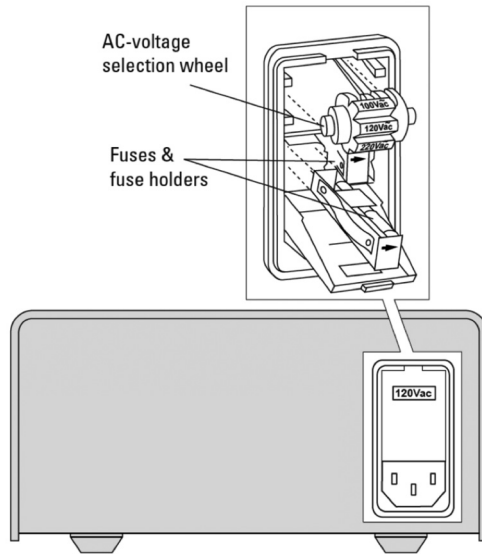


Figure 3: Power module with the cover open

4. Remove the AC-voltage selection wheel from the unit. Do not attempt to rotate the wheel while it is still in the power module; the wheel must be removed, turned, and then reinserted for proper operation. (See Figure 3.)
5. Reinsert the wheel in the module so the desired AC voltage can be viewed in the power-module window.
6. Ensure the proper fuses for the new AC voltage are installed (see Table 1). Pull out fuse holders to replace if needed.
7. Close the power-module cover.
8. Verify the proper voltage is showing through the module window.
9. Reconnect the AC power cord.

Input Power	Voltage Setting	Fuse Type
100 VAC	100	A
120 VAC	120	A
220 VAC	220	B
240 VAC	240	B

Fuse Type A: Slo-Blo, 250 V, 0.5 A, $i^2t \geq 1.985 \text{ A}^2\text{s}$, 5 mm x 20 mm

Fuse Type B: Slo-Blo, 250 V, 0.4 A, $i^2t \geq 1.36 \text{ A}^2\text{s}$, 5 mm x 20 mm

Table 1: The AC power module requires two 5x20-mm, 250-V, Slo-Blo fuses. The current ratings of the fuses should be as shown.

Operation

Output Characteristics

The outputs (three pairs of $\pm 15\text{ V}$) of the Model 0901 are all derived from a common linear supply, but each incorporates independent current-limiting protection as shown in Figure 4. As a result, the voltage on each output differs slightly. The impedance of each output is approximately 2 ohms, so an output will be reduced by 0.6 V when providing the full 300 mA. With no load, outputs should be $\pm 15\text{ V} \pm 3\%$.

When a load attempts to draw in excess of 300 – 330 mA the protection is activated. This is accomplished by reducing the voltage in order to limit the current to the maximum rated current.

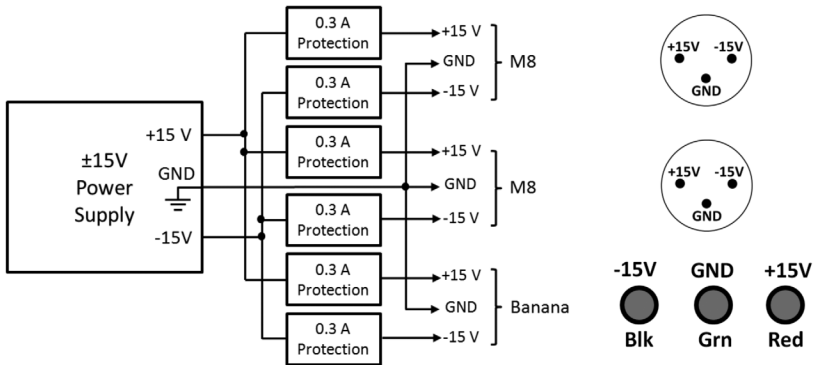


Figure 4: Block diagram and pin assignments (as seen on front panel) of the Model 0901 power supply.

Cables

Newport offers three types of cables for use with the Model 0901:

Model #	Description
0923	cable, M8 connector (male) to M8 connector (male), 1 meter
0923-2	cable, M8 connector (male) to M8 connector (male), 2 meter
0924	cable, 3 banana plugs (male) to M8 connector (male), 1 meter

Models 0923 and 0923-2 are used to connect from the M8 connectors on the front panel of the Model 0901 to Newport brand products.

Model 0924 can be used for the following:

- to connect from the banana jacks on the front panel of the 0901 to Newport brand products
- to connect Newport brand products to a supply other than an 0901 which has banana jack outputs
- to connect to the M8 connectors on the Model 0901 front panel so as to provide ± 15 V on the banana plugs for general lab use.

When connecting cable Model 0924 to the Model 0901, note that the colored male-banana plugs on the cable should follow the color-coding for the Model 0901 banana jacks: red is +15 V , green is ground, and black is -15 V.

Customer Service

Technical Support

Information and advice about the operation of any Newport product is available from our applications engineers. For quickest response, ask for “Technical Support” and know the model number and serial number for your product.

Hours: 8:00–5:00 PST, Monday through Friday (excluding holidays).

Phone: 1-877-835-9620

Support is also available by email and chat

Chat: Connect with us at www.newport.com

Email: tech@newport.com

We typically respond to emails within one business day.

Service

In the event that your device malfunctions or becomes damaged, please contact Newport for a return merchant authorization (RMA) number and instructions on shipping the unit back for evaluation and repair.