

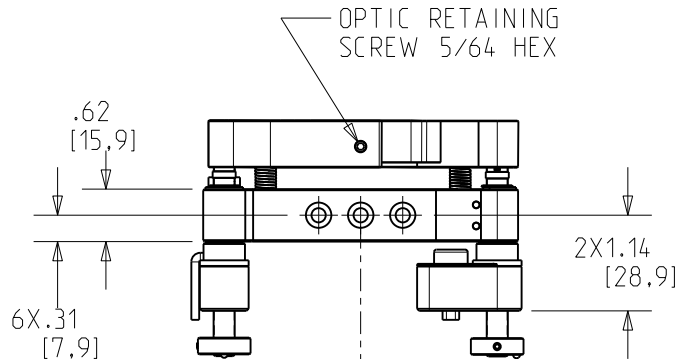
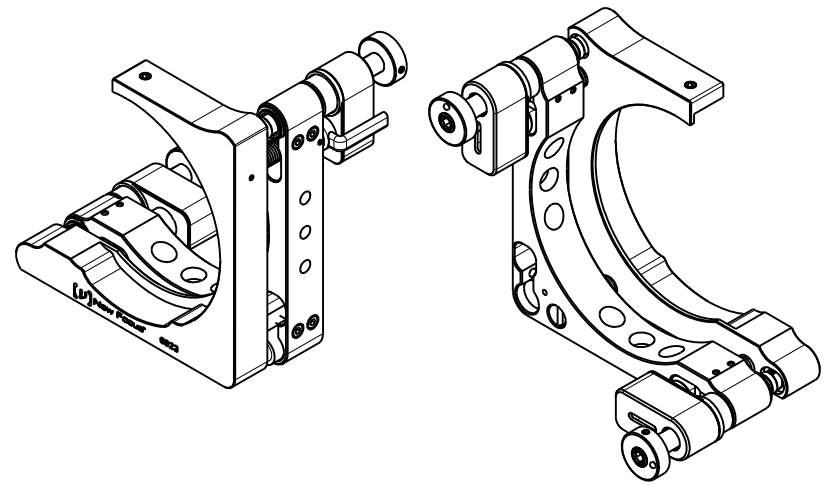


New Focus™

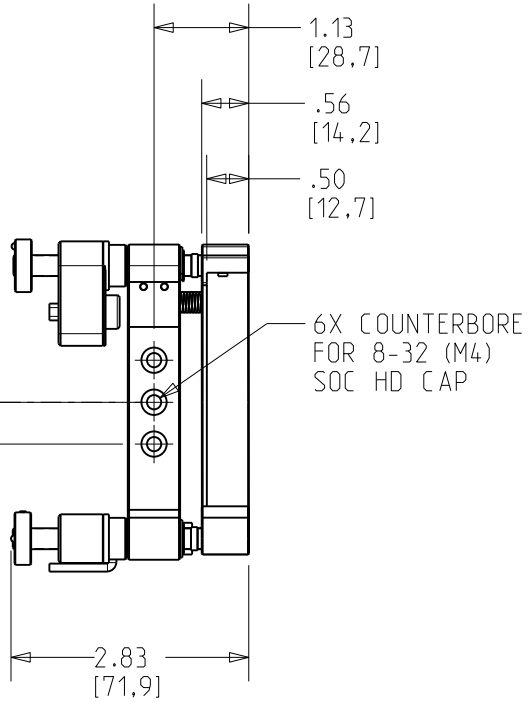
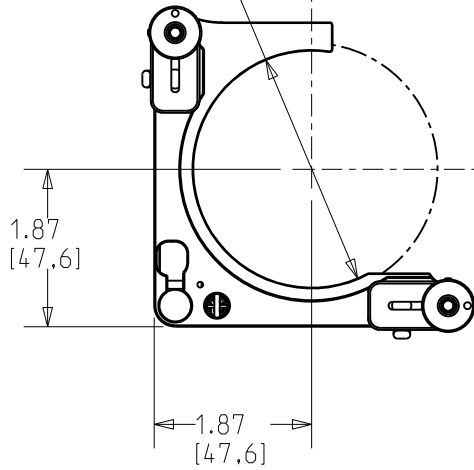
A Newport Corporation Brand

SCALE 7:16 [REV 2] 8823, MOUNT, 3" CLEAR EDGE, MOTORIZED

©2009 NEWPORT CORP., ALL RIGHTS RESERVED.



Ø2.82 [71.6]
CLEAR APERTURE



Ø3.00 [76.2]
OPTIC DIAMETER

