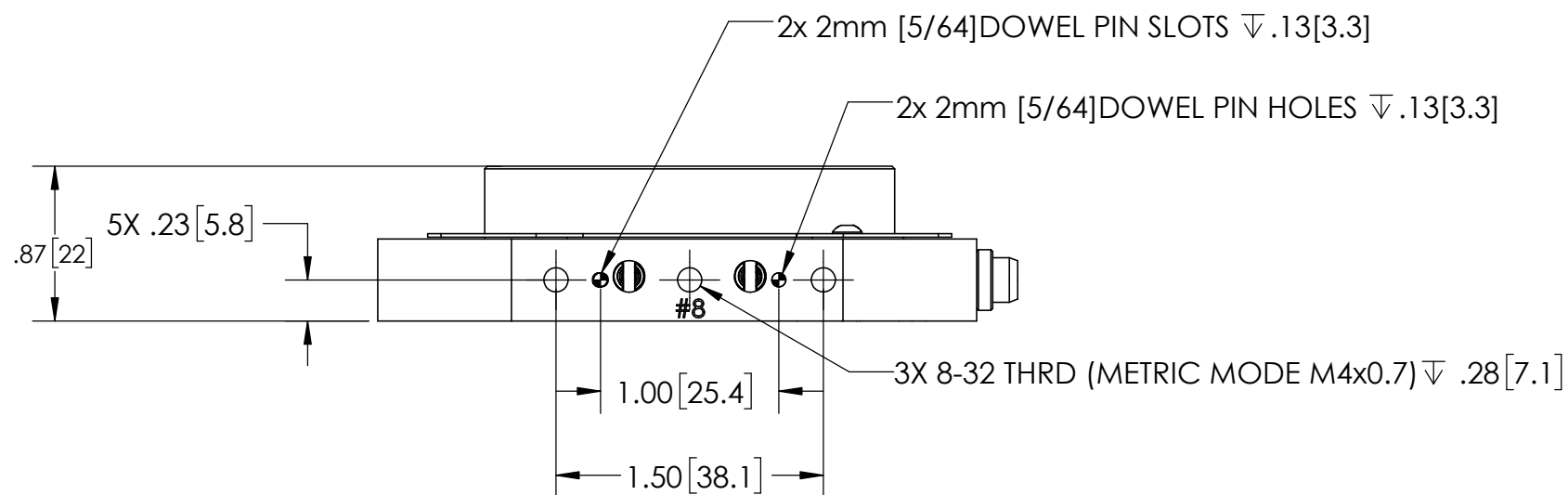


SECTION A-A



TECH SPECS:

1. X / Y TRANSLTION:  $\pm 2\text{mm}$  AT  $254\mu\text{m}/\text{rev}$
2. MAX OPTICS EDGE THICKNESS:  $0.54 [13.7\text{mm}]$

**MODEL: LPXY-2H & M-LPXY-2H**



**Newport**<sup>®</sup>

Experience | Solutions