

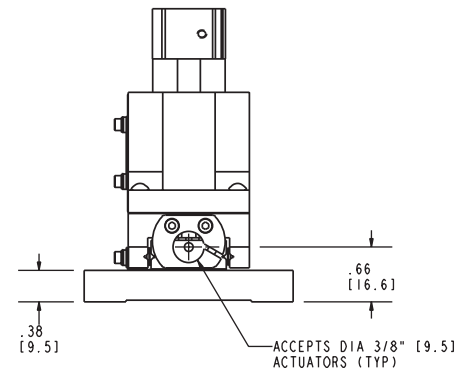
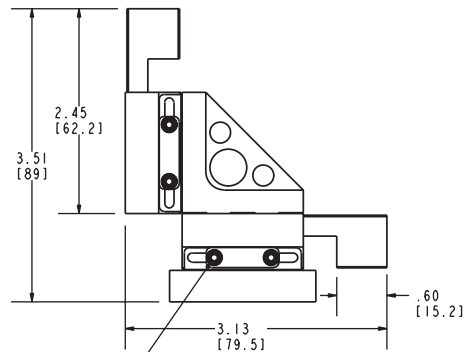
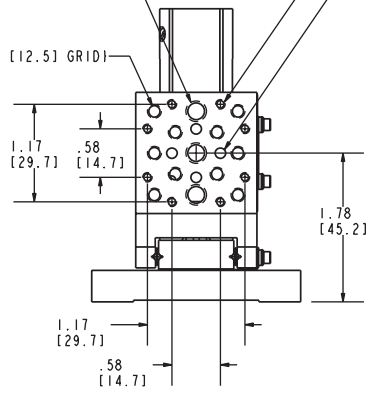
NOTES:
1) ACCEPTS 5/64 [2] ALLEN WRENCH

3X 1/4-20 [M6] ON .50 [12.5] GRID)

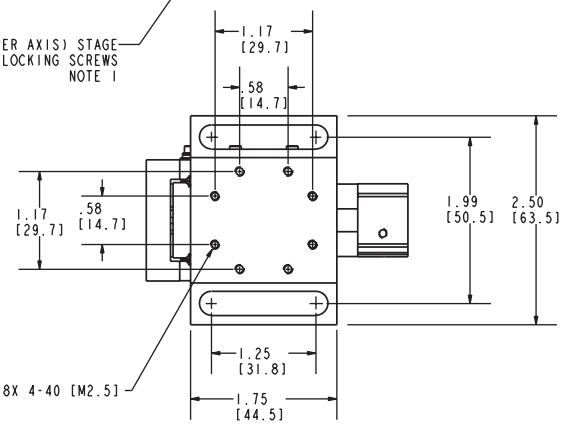
10X 8-32 [M4] ON .50 [12.5] GRID)

8X 4-40 [M2.5] FOR STAGE STACKING

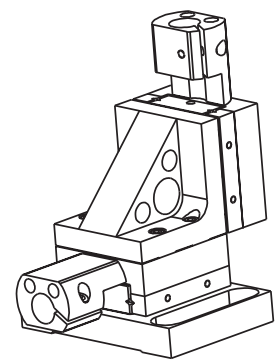
4X DIA 0.125 [3.17] ON .50 [12.7] GRID)



2X (PER AXIS) STAGE LOCKING SCREWS NOTE 1



Unless otherwise noted, dimensions are in inches with metric dimensions in mm in brackets



 New Focus™