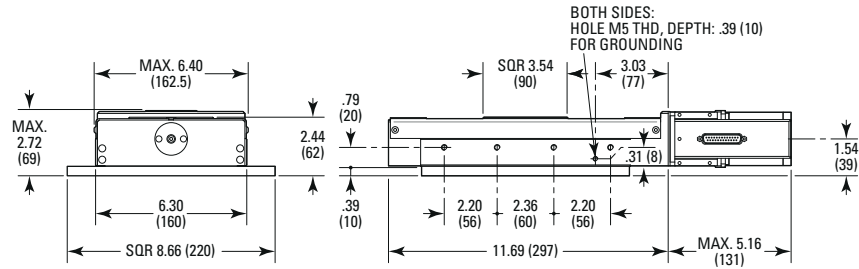
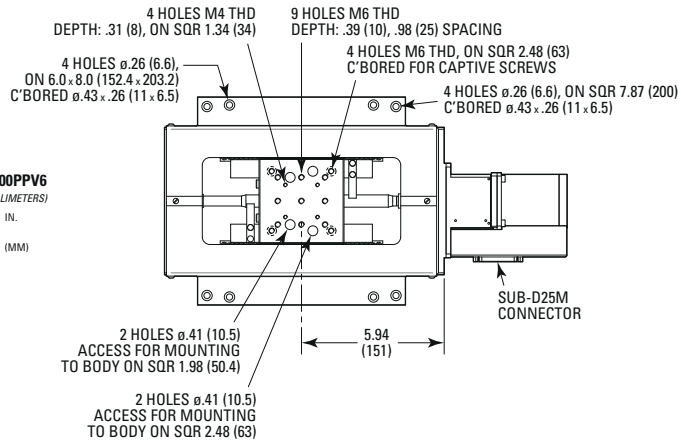


MODEL SHOWN: MTN100PPV6

DIMENSIONS IN INCHES (AND MILLIMETERS)



4 M6 SCREWS ON SQR 5.04 (128)
ON BODY STAGE:
4 HOLES M6 THD, DEPTH: .39 (10)

HOLES ϕ .41 (10.5)
ACCESS FOR CAPTIVE SCREWS
TO CARRIAGE ON SQR 2.48 (63)

