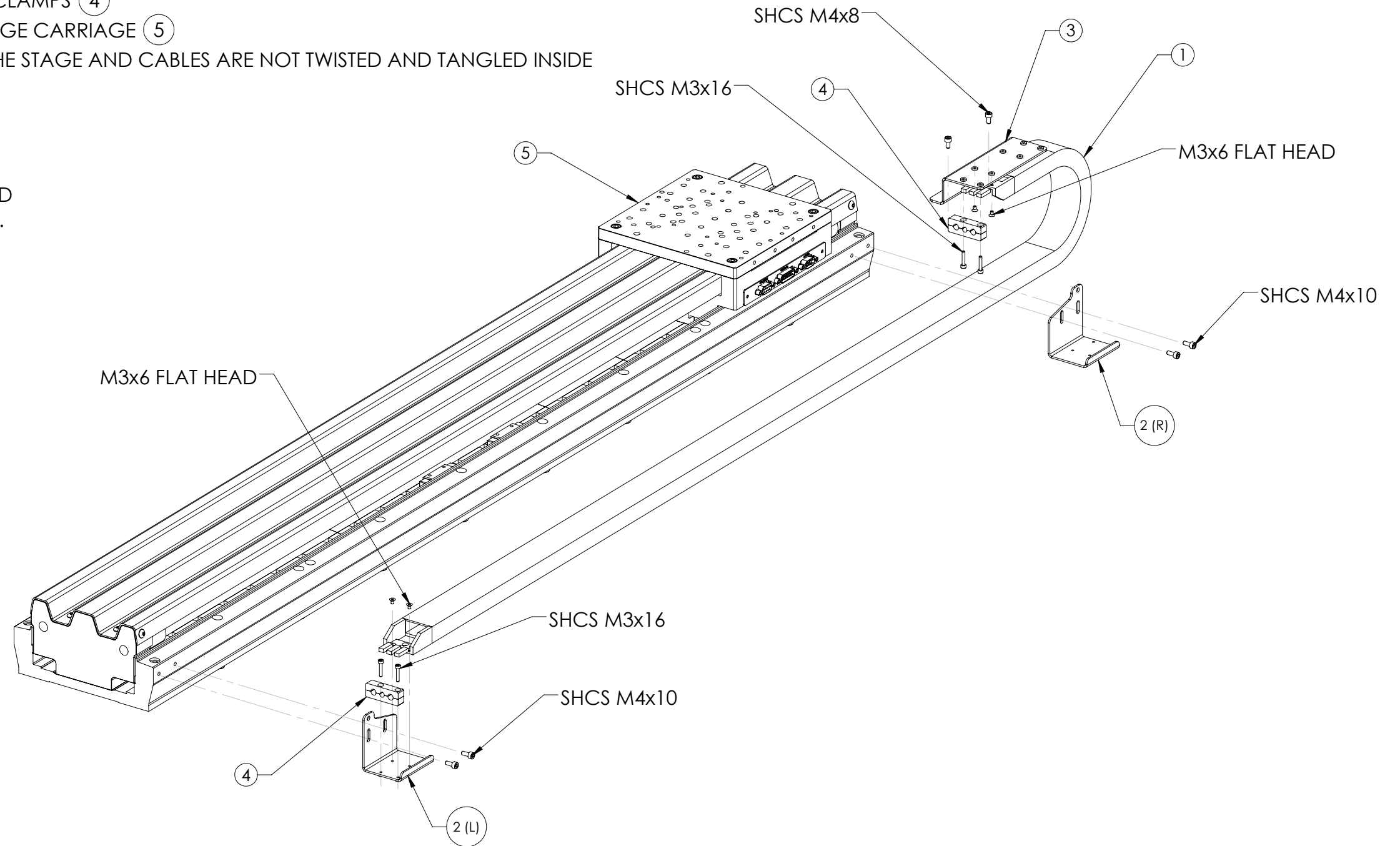


ASSEMBLY ORDER:

1. OPEN TRACK AND INSERT CABLES ①
2. ATTACH CABLE SUPPORT BRACKETS ② "L" OR "R", DEPENDING UPON THE ORIENTATION OF THE TRACK
3. ATTACH BOTH ENDS OF THE TRACK TO BRACKET ② & ③
4. READJUST CABLES AND ATTACH CABLE CLAMPS ④
5. ATTACH FLOATING BRACKET ⑤ TO STAGE CARRIAGE ⑤
6. MAKE SURE THE TRACK IS PARALLEL TO THE STAGE AND CABLES ARE NOT TWISTED AND TANGLED INSIDE

NOTE:

- ASSEMBLY ORDER CAN BE MODIFIED DEPENDING ON INDIVIDUAL PREFERENCE.
- THE LENGTH OF THE TRACK CAN BE ADJUSTED ACCORDING TO THE STAGE TRAVEL RANGE.
- CABLE TRACK LENGTH CAN BE CHANGED BY REMOVING SINGLE OR MULTIPLE LINKS



TRACK OPENING