

Clear Edge Picomotor™ Mount



Clear Edge Picomotor Mount

- Kinematic Mechanism
- Black Anodized Aluminum
- 2 - New Focus Picomotors
- 1 - 80 pitch manual screw
- x, y Adjustments
- Beam Pointing Temperature Coefficient is $<5 \mu\text{radians} / \text{C}$
- 8821-L version available

The New Focus 8821 provides the precision and stability of Picomotor™ actuators with the greater beam access of a clear edge mirror mount in very cost effective package, compact package. Sapphire seats and optimized spring location and force provides for smooth, reliable motorized adjustment while maintaining a high level of thermal and mechanical stability. The picomotor offers the additional advantage of using the integrated knobs for quick, manual adjustment of all axes.

Specifications

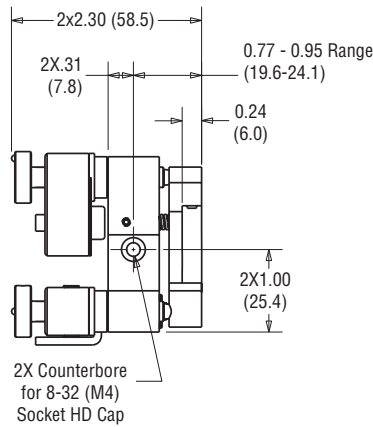
Specifications	8821
Optic Diameter (in [mm])	1.0 (25.4)
Optic Thickness (mm)	6mm to 10mm
Angular Range (°)	± 5
Cable Length (ft[m])	7 (2.1)
Resolution- Angular (μrad)	0.7
Operating Temperature (°C)	10-40
Mounting	Post
Thread Type	8-32 (M4) Thru
Motorized Axes	2
Connector Type	4-Pin
Type	Clear Edge Center Mount



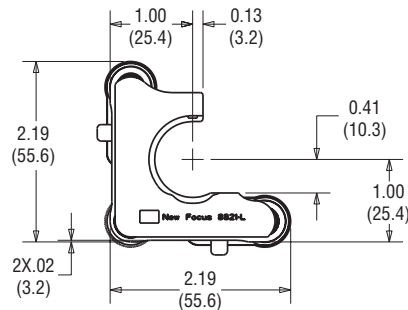
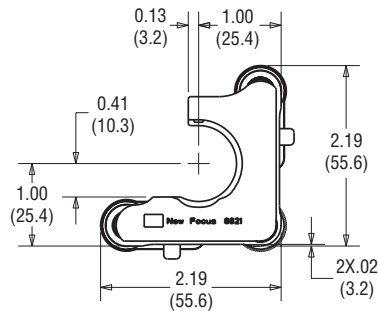
Left-Handed Clear Edge Picomotor Mount

Clear Edge Picomotor™ Mount

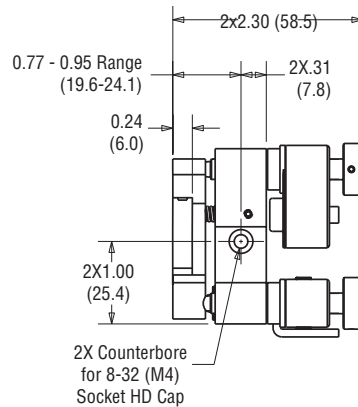
Clear Edge Picomotor Mount Dimensions



Right Handed Mount



Left Handed Mount



Measurements in inch (mm)



3635 Peterson Way, Santa Clara, CA 95054, USA
PHONE: 1-800-222-6440 1-408-980-4300 **FAX:** 1-408-919-6083 **EMAIL:** sales@newfocus.com

www.newport.com/newfocus

	PHONE	EMAIL		PHONE	EMAIL
Belgium	+32-(0)0800-11 257	belgium@newport.com	Irvine, CA, USA	+1-800-222-6440	sales@newport.com
China	+86-10-6267-0065	china@newport.com	Netherlands	+31-(0)30 6592111	netherlands@newport.com
France	+33-(0)1-60-91-68-68	france@newport.com	United Kingdom	+44-1235-432-710	uk@newport.com
Japan	+81-3-3794-5511	spectra-physics@splasers.co.jp	Germany / Austria / Switzerland	+49-(0)6151-708-0	germany@newport.com
Taiwan	+886 -(0)2-2508-4977	sales@newport.com.tw			

Newport Corporation, Irvine, California and Franklin, Massachusetts; Evry and Beaune-La-Rolande, France and Wuxi, China have all been certified compliant with ISO 9001 by the British Standards Institution. Santa Clara, California is DNV certified.

Newport Corporation, Global Headquarters PHONE: 1-800-222-6440 1-949-863-3144
 1791 Deere Avenue, Irvine, CA 92606, USA EMAIL: sales@newport.com

Complete listings for all global office locations are available online at www.newport.com/contact

DS-041205