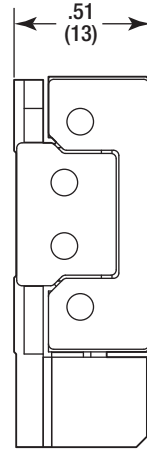
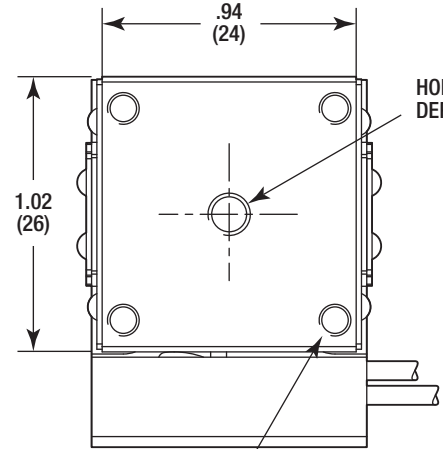


4 HOLES C'BORED
FOR M3 SCREW
ON SQR .79 (20)



MODEL SHOWN: AG-LS25
DIMENSIONS IN INCHES (AND MILLIMETERS)



HOLE M4 THD,
DEPTH: .12 (3)

4 HOLES M3 THD
ON SQR .79 (20),
DEPTH: .14 (3.5)

