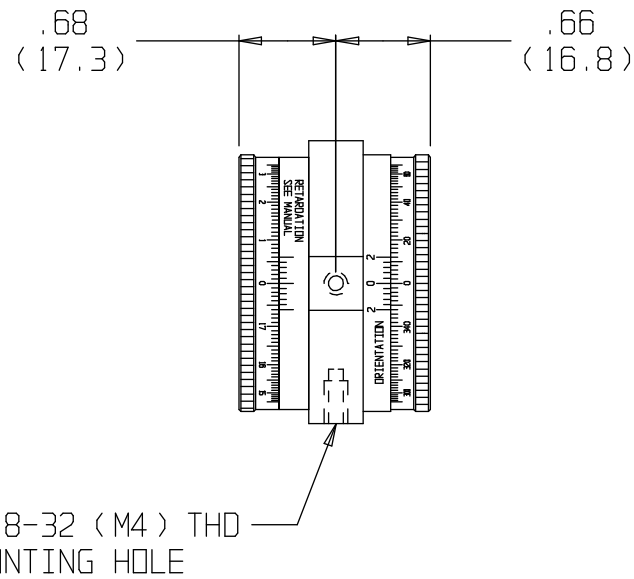
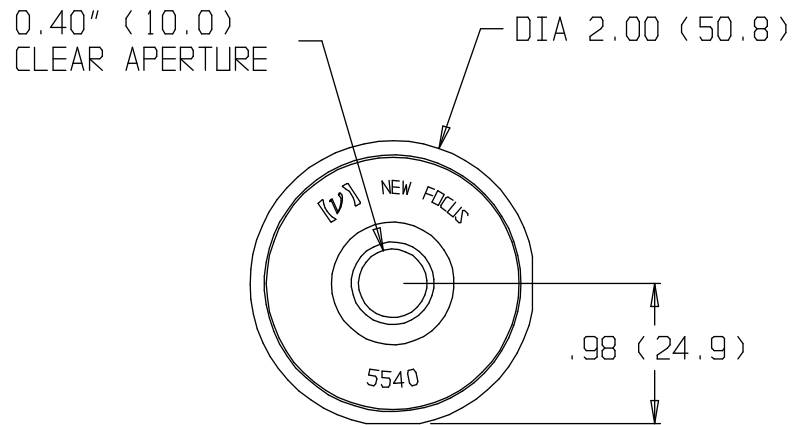
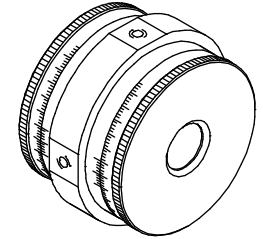


SPECIFICATIONS	
WAVELENGTH RANGE	200-1600 NM
WAVEFRONT DISTORTION	< 1/8 WAVE
RETARDANCE	0-5.8 π @ 300 NM 0- π @ 1600 NM
RESOLUTION	0.001 WAVE @ NULL 0.01 WAVE @ 2 π



5540(M) VARIABLE

 New Focus™