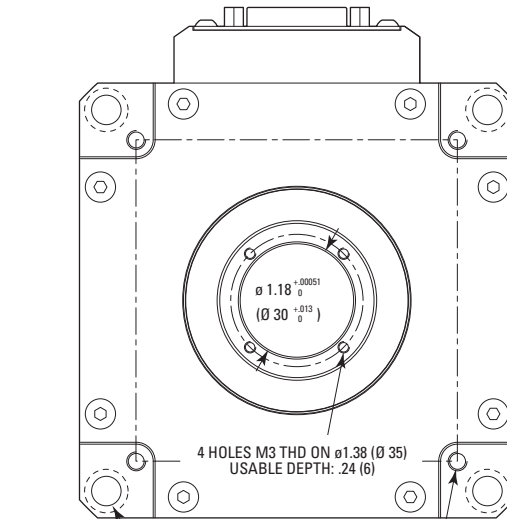
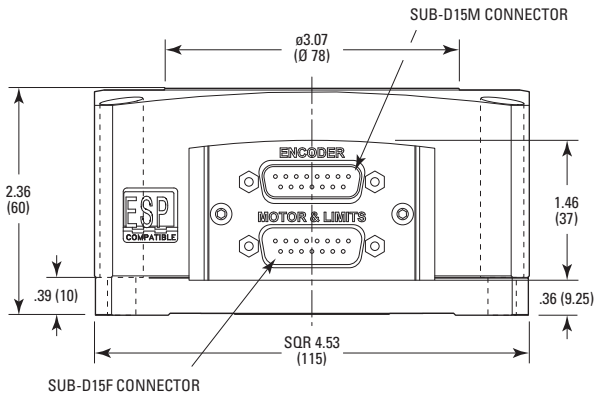
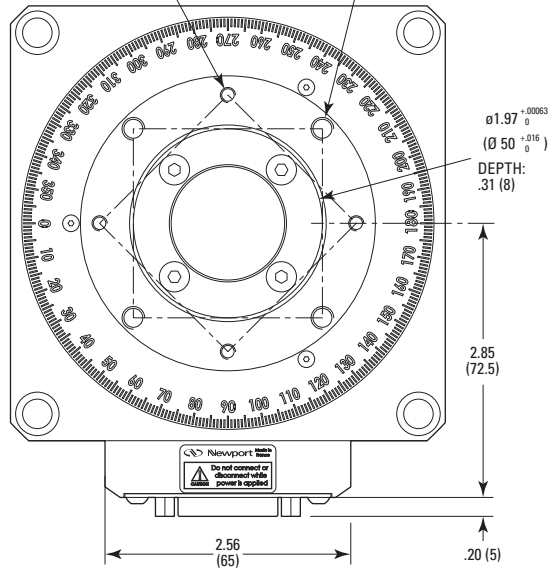


4 HOLES M4 THD ON SQR 1.89 (48)
DEPTH: .24 (6)

4 HOLES M6 THD ON SQR 1.97 (50)
DEPTH: .31 (8)



4 HOLES ϕ .31 (7.8), C'BORED ϕ .45 (11.5)
ON SQUARE 3.97 (100.8)

4 HOLES M5 THD ON SQR 3.35 (85)
USABLE DEPTH: .31 (8)

MODEL SHOWN: RGV100BL
DIMENSIONS IN INCHES (AND MILLIMETERS)