

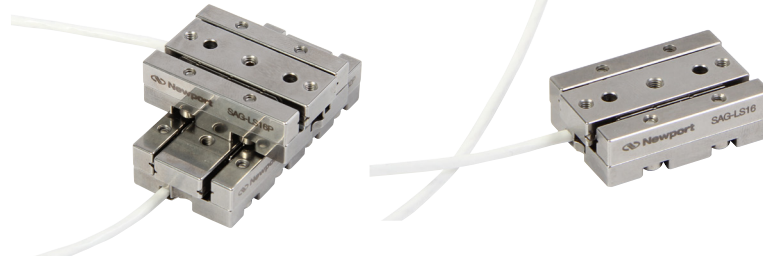
# Super Agilis Series

## CONEX-SAG-LSxxP closed loop versions



The CONEX-SAG-LSxxP series are closed loop piezo motor linear stages integrated with very compact, single axis piezo motor controller/driver.

These stainless-steel stages are fast, with low MIM, that can easily be configured in XY, maintaining overall low profile. XZ or XYZ configurations are also possible through recommended bracket. The controller is preconfigured for the stage and comes with intuitive GUI, accessible via USB.



### Specifications

	CONEX-SAG-LS16P	CONEX-SAG-LS32P	CONEX-SAG-LS48P
Travel Range (mm)	16	32	48
Maximum Speed (mm/s)	>10		
Material	Stainless Steel		
Centered Load Capacity (N)	20	30	30
Axial/Vertical Load Capacity(N)	2		
Holding Force (N)	3		
Bi-directional Repeatability (nm)	120*		
Minimum Incremental Motion (nm)	25		
Pitch/Yaw ( $\mu$ rad)	150		
Cable Length (m)	1.5		
Limit Switches	Not Available		
Operating Temperature (°C)	10 to 35		
Weight, Without Cable (g)	65	93	127

Note:

\* Down to 25 nm for steps <100nm within 1  $\mu$ m range.

### Features

- Fast: >10 mm/s
- Compact size
- Only 24 mm height for XY stack
- Easy to stack
- Stainless steel parts
- Integrated and easy to setup
- Easy to use GUI
- USB Plug-and-play communication

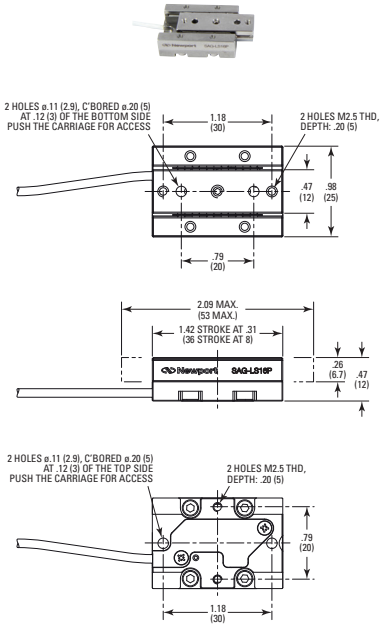


### CAUTION

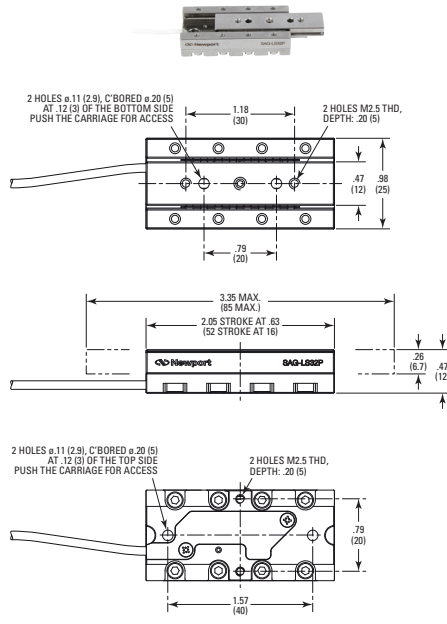
To reach specifications stated, stages must be fixed on a plane surface with a flatness of 2  $\mu$ m or use the SAF-BP1 adapter plate.

## Dimensional Drawing

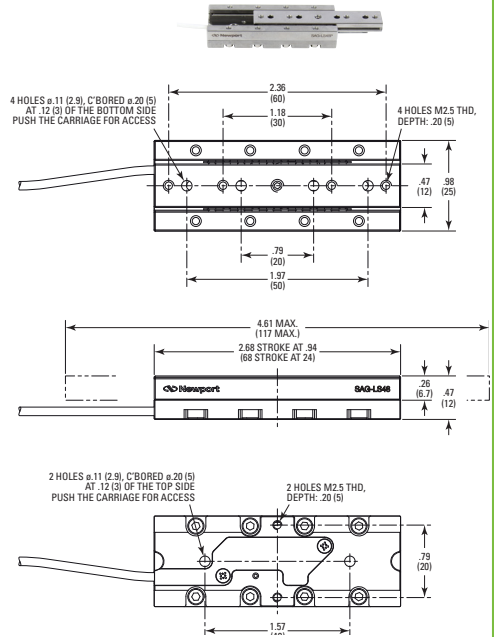
### CONEX-SAG-LS16P (Stage)



### CONEX-SAG-LS32P (Stage)



### CONEX-SAG-LS48P (Stage)



#### CAUTION

The maximum tightening torque on SAG-LSxx carriage is 0.5 Nm.

## Ordering Information

Model	Description
CONEX-SAG-LS16P	Linear piezo stage integrated with Conex controller, 16 mm, closed loop
CONEX-SAG-LS32P	Linear piezo stage integrated with Conex controller, 32 mm, closed loop
CONEX-SAG-LS48P	Linear piezo stage integrated with Conex controller, 48 mm, closed loop

#### Accessories

CONEX-BP	Base Plate, Mounts Multiple CONEX Controllers
SAG-BP1*	Slotted Based Plate, Conex-SAG series
SAG-AB90-16	90 Degree Angle Bracket, Conex-SAG Series
Conex-PS	Power Supply, 24 VDC, Conex Motion Controller

\* Use CHC M2,5x6 screws to mount Conex-SAG-LS to SAG-BP1



### CONEX-SAG-LSxxP (Controller)

