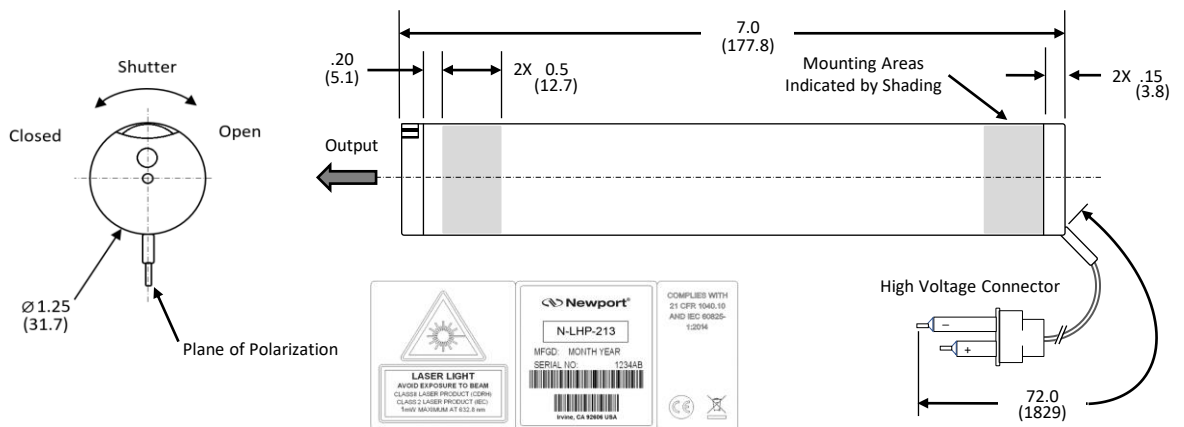


0.5 mW 632.8 nm (RED) HELIUM NEON LASER MODEL: N-LHP-213

OUTPUT SPECIFICATIONS		
CW Power Output (mW)	0.5 min 0.95 max	
Wavelength (nm)	632.8	
Transverse Mode	> 90% TEM ₀₀	
Polarization	Linear > 500:1	
Beam Diameter at 1/e ² Points	0.46 ± 5%	
Beam Divergence (mrad)	1.77 ± 5%	
Longitudinal Mode Spacing (MHz)	1063	
Mode Sweeping	< 10%	
Long Term Power Drift (8 hrs)	< 5%	
Amplitude Noise, 30 Hz to 30 MHz (peak-to-peak)	< 2.8%	
Warmup to > 95% of Maximum Power (minutes)	< 15	
Beam Position Drift From Cold Start (mrad)	< 0.05	
Beam Position Drift After 15 Minute Warmup (mrad)	< 0.03	
ELECTRICAL SPECIFICATIONS		
Start Voltage (kVdc)	< 10	
Recommended Operating Current (mA)	4.0 ± 0.2	
Operating Voltage (VDC)	1320 ± 100	
ENVIRONMENTAL SPECIFICATIONS	OPERATING	NON-OPERATING
Temperature (°C)	-20 to +60	-40 to +80
Altitude (meters)	0 to 3000	0 to ∞
Relative Humidity (% , non-condensing)	0 to 99%	0 to 99%
Mechanical Shock (g)	< 1 for < 11 msec	< 25 for < 11 msec < 100 for < 1 msec

Please contact factory for other options. Specifications are subject to change without notice.



Dimensions in Inches (mm)

© Newport. All Rights Reserved

Rev 4.20.1

LABORATORY HELIUM NEON LASER POWER SUPPLY

INPUT SPECIFICATIONS

Voltage (VAC)*	115 / 230
Line Frequency (Hz)	50 to 400
Current (A)	0.2 / 0.1

OUTPUT SPECIFICATIONS

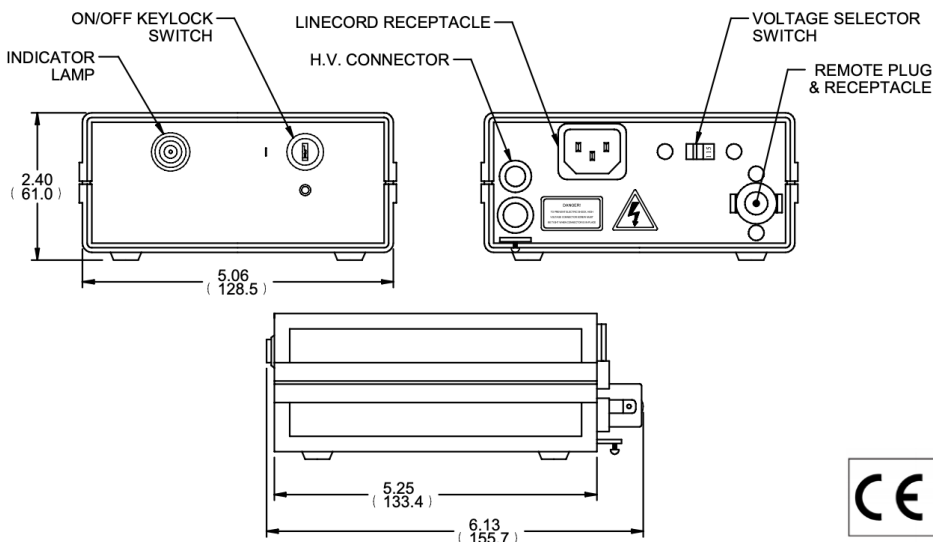
Sustaining Voltage (VDC)	1120 to 1420
Start Voltage (kVDC)	> 8
Current Setting (mA)	4.0 ± 0.2
Power (W)	< 6.3
Current Ripple (% Peak to Peak)	< 2.0
Current Ripple (% RMS)	< 0.71
Time Delay (Seconds)	3 to 7

ENVIRONMENTAL SPECIFICATIONS

	OPERATING	NON-OPERATING
Temperature (°C)	-20 to +40	-40 to +80
Altitude (meters)	0 to 3000	0 to ∞
Relative Humidity (% , non-condensing)	0 to 99%	0 to 99%
Mechanical Shock (g)	< 50 for < 11 msec	< 50 for < 11 msec < 100 for < 1 msec

Specifications are subject to change without notice.

*Please specify AC power cord plug type: NEMA 5-15P for 100 to 120 VAC, Europlug (CEE7/4) for 230 VAC, or British Standard (BS 1363) for 230 to 240 VAC.



Dimensions in Inches (mm)
Reference Dimensions Only

© Newport. All Rights Reserved