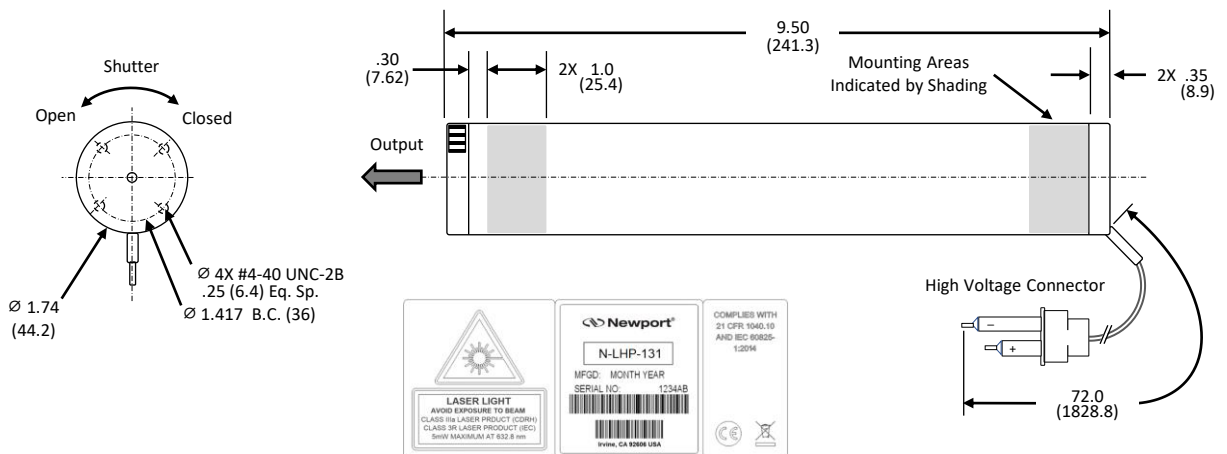


1.5 mW 632.8 nm (RED) HELIUM NEON LASER MODEL: N-LHP-131

OUTPUT SPECIFICATIONS		
CW Power Output (mW)		> 1.50
Wavelength (nm)		632.8
Transverse Mode		> 90% TEM ₀₀
Polarization	Linear	>500:1
Beam Diameter at 1/e ² Points		0.58 ± 5%
Beam Divergence (mrad)		1.39 ± 5%
Longitudinal Mode Spacing (MHz)		793
Mode Sweeping		< 10%
Long Term Power Drift (8 hrs)		< 2.5%
Amplitude Noise, 30 Hz to 30 MHz (peak-to-peak)		< 2.8%
Warmup to > 95% of Maximum Power (minutes)		15
Beam Position Drift From Cold Start (mrad)		< 0.05
Beam Position Drift After 15 Minute Warmup (mrad)		< 0.03
ELECTRICAL SPECIFICATIONS		
Start Voltage (kVdc)		< 8
Recommended Operating Current (mA)		5.0 ± 0.2
Operating Voltage (VDC)		1660 ± 100
ENVIRONMENTAL SPECIFICATIONS	OPERATING	NON-OPERATING
Temperature (°C)	-20 to +40	-40 to +80
Altitude (meters)	0 to 3000	0 to ∞
Relative Humidity (% , non-condensing)	0 to 99%	0 to 99%
Mechanical Shock (g)	< 1 for < 11 msec	< 25 for < 11 msec < 100 for < 1 msec

Please contact factory for other options. Specifications are subject to change without notice.



LABORATORY HELIUM NEON LASER POWER SUPPLY

INPUT SPECIFICATIONS

Voltage (VAC)*	115 / 230
Line Frequency (Hz)	50 to 400
Current (A)	0.2 / 0.1

OUTPUT SPECIFICATIONS

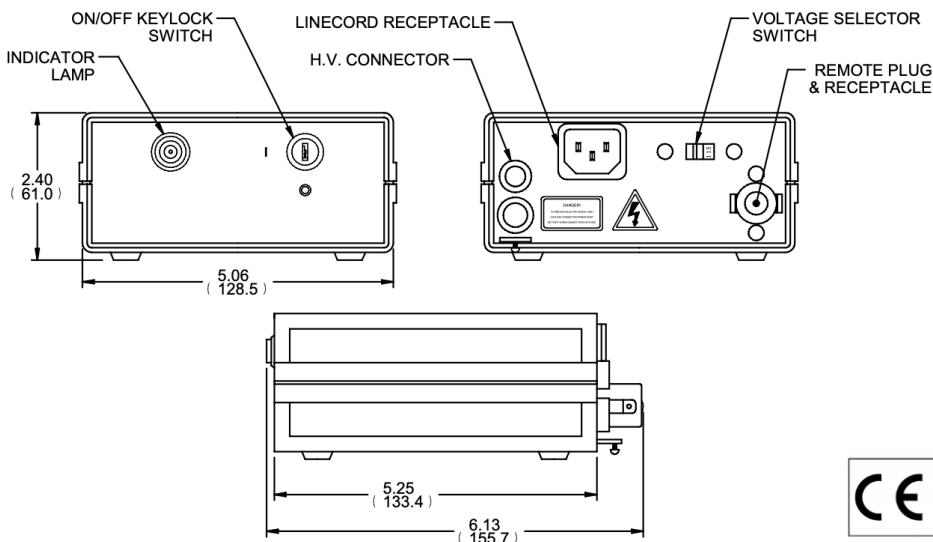
Sustaining Voltage (VDC)	1300 to 1900
Start Voltage (kVDC)	>8
Current Setting (mA)	5.0 ± 0.2
Power (W)	< 10.7
Current Ripple (% Peak to Peak)	< 2.0
Current Ripple (% RMS)	< 0.71
Time Delay (Seconds)	3 to 7

ENVIRONMENTAL SPECIFICATIONS

	OPERATING	NON-OPERATING
Temperature (°C)	-20 to +40	-40 to +80
Altitude (meters)	0 to 3000	0 to ∞
Relative Humidity (% , non-condensing)	0 to 99%	0 to 99%
Mechanical Shock (g)	< 50 for < 11 msec	< 50 for < 11 msec < 100 for < 1 msec

Specifications are subject to change without notice.

*Please specify AC power cord plug type: NEMA 5-15P for 100 to 120 VAC, Europlug (CEE7/4) for 230 VAC, or British Standard (BS 1363) for 230 to 240 VAC.



Dimensions in Inches (mm)
Reference Dimensions Only

© Newport. All Rights Reserved