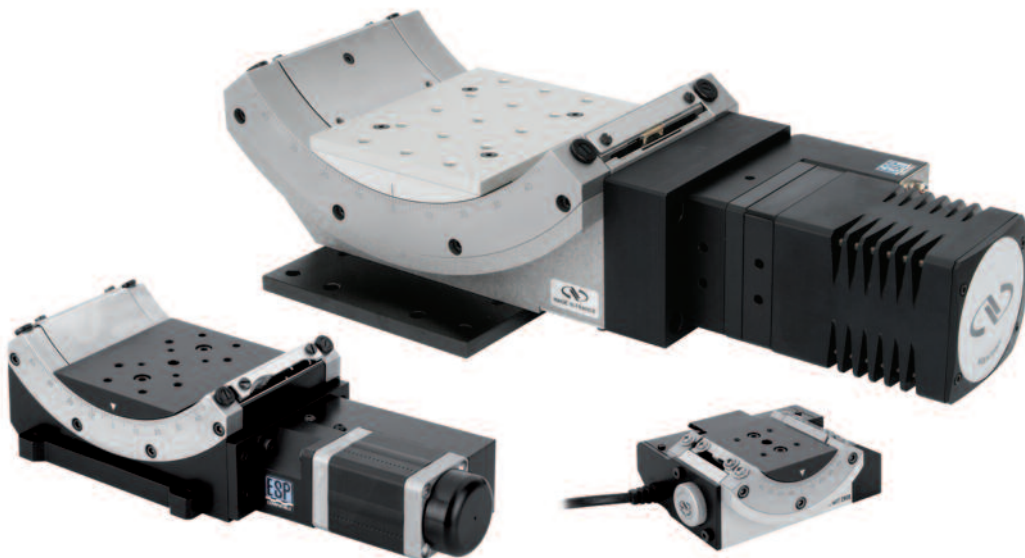




BG Series

Goniometric Cradles



 **Newport**[®]

USER'S MANUAL

Warranty

Newport Corporation warrants this product to be free from defects in material and workmanship for a period of 1 year from the date of shipment. If found to be defective during the warranty period, the product will either be repaired or replaced at Newport's discretion.

To exercise this warranty, write or call your local Newport representative, or contact Newport headquarters in Irvine, California. You will be given prompt assistance and return instructions. Send the instrument, transportation prepaid, to the indicated service facility. Repairs will be made and the instrument returned, transportation prepaid. Repaired products are warranted for the balance of the original warranty period, or at least 90 days.

Limitation of Warranty

This warranty does not apply to defects resulting from modification or misuse of any product or part.

CAUTION

Warranty does not apply to damages resulting from:

- **Incorrect usage:**
 - **Load on the stage greater than maximum specified load.**
 - **Carriage speed higher than specified speed.**
 - **Improper grounding.**
 - **Connectors must be properly secured.**
 - **When the load on the stage represents an electrical risk, it must be connected to ground.**
 - **Excessive or improper cantilever loads.**
- **Modification of the stage or any part thereof.**



CAUTION

Please return equipment in the original (or equivalent) packing.

You will be responsible for damage incurred from inadequate packaging if the original packaging is not used.

This warranty is in lieu of all other warranties, expressed or implied, including any implied warranty of merchantability or fitness for a particular use. Newport Corporation shall not be liable for any indirect, special, or consequential damages.

© 2017 by Newport Corporation, Irvine, CA. All rights reserved.

Original instructions.

No part of this document may be reproduced or copied without the prior written approval of Newport Corporation. This document is provided for information only, and product specifications are subject to change without notice. Any change will be reflected in future publications.

Table of Contents

Warranty	ii
EC Declaration of Conformity.....	v
Definitions and Symbols.....	vi
Warnings	vii
Cautions	viii
<hr/>	
1.0 — Introduction.....	1
<hr/>	
2.0 — Description	2
2.1 Design Details	2
<hr/>	
3.0 — Characteristics.....	3
3.1 Definitions	3
3.2 Mechanical Specifications	4
3.3 Load Specification Definitions.....	4
3.4 Load Characteristics and Stiffness	4
3.5 Goniometric Cradle Weights	5
<hr/>	
4.0 — Drive	5
4.1 Stepper Drive Versions	5
4.2 DC-Servo Drive Versions	6
<hr/>	
5.0 — Motor	7
5.1 Stepper Motor Characteristics	7
5.2 Command Signals for the Stepper Motor.....	7
5.3 DC-Motor Characteristics	8
5.4 Command Signals for the DC-Motor	8
5.5 Sensor Position.....	9
5.6 Feedback Signal Position	9
5.7 BGS Pinouts	10
5.8 MSCABLE-3 Cable.....	10
5.9 BGM Pinouts	11
5.10 MCAB-3 Cable	11
<hr/>	
6.0 — Connection to Newport Controllers.....	12
6.1 Warnings on Controllers	12
6.2 Connection.....	13
6.3 Cables	13
6.4 MMCABLE-3 Cable.....	14
6.5 MSCABLE-3 Cable.....	15
6.6 MCAB-3 Cable	16

7.0	— Connection to Non-Newport Electronics	17
7.1	Connections	17

8.0	— BGM Goniometric Cradles Assembly Pattern	18
8.1	BGM120 Interfaces	18
8.2	BGM160 Interfaces	19
8.3	BGM200 Interfaces	19

9.0	— Dimensions	20
9.1	BGS50 Models	20
9.2	BGS80 Models	20
9.3	BGM Models	21

10.0	— Maintenance	22
10.1	Maintenance	22
10.2	Repair	22
10.3	Calibration	22

	Service Form	23
--	--------------	----

EC Declaration of Conformity

BG Series

EC Declaration of Conformity

following Annex II-1A
of Directive 2006/42/EC on machinery



The manufacturer:

MICRO-CONTROLE Spectra-Physics,
9, rue du bois sauvage
F-91055 Evry FRANCE

Hereby declares that the machinery:

- Description: " BG"
- Function: High Precision Goniometers
- Models: BGS50/80/-CC/-PP ; M-/BGM120/160/200/-CC/-PP/-PE/-PEV6

– the technical file of which was compiled by:

Mr Dominique DEVIDAL, Quality Director,
MICRO-CONTROLE Spectra-Physics, Zone Industrielle - B.P.29
F-45340 Beauce La Rolande France

- complies with all the relevant provisions of the Directive 2006/42/EC on machinery.
- complies with all the relevant provisions of the Directive 2014/30/EU relating to electro-magnetic compatibility.

– was designed and built in accordance with the following harmonised standards:

- NF EN 61326-1:2013 « Electrical equipment for measurement, control and laboratory use – EMC requirements – Part 1: General requirements »
- NF EN 55011:2010/A1:2011 Class A

– was designed and built in accordance with the following other standards:

- NF EN 61000-4-2
- NF EN 61000-4-3
- NF EN 61000-4-4
- NF EN 61000-4-5
- NF EN 61000-4-6

ORIGINAL DECLARATION

Done in Beauce La Rolande on 26 June 2015
Dominique DEVIDAL
Quality Director

DC1-EN rev:A

Definitions and Symbols

The following terms and symbols are used in this documentation and also appear on the product where safety-related issues occur.

General Warning or Caution



The exclamation symbol may appear in warning and caution tables in this document. This symbol designates an area where personal injury or damage to the equipment is possible.

The following are definitions of the Warnings, Cautions and Notes that may be used in this manual to call attention to important information regarding personal safety, safety and preservation of the equipment, or important tips.



WARNING

Warning indicates a potentially dangerous situation which can result in bodily harm or death.



CAUTION

Caution indicates a potentially hazardous situation which can result in damage to product or equipment.

NOTE

Note indicates additional information that must be considered by the user or operator.

European Union CE Mark



The presence of the CE Mark on Newport Corporation equipment means that it has been designed, tested and certified as complying with all applicable European Union (CE) regulations and recommendations.

Warnings and Cautions



ATTENTION

This stage is a Class A device. In a residential environment, this device can cause electromagnetic interference. In this case, suitable measures must be taken by the user.

Warnings



WARNING

The motion of objects of all types carries potential risks for operators. Ensure the protection of operators by prohibiting access to the dangerous area and by informing the personnel of the potential risks involved.

WARNING

Do not use this stage when its motor is emitting smoke or is unusually hot to the touch or is emitting any unusual odor or noise or is in any other abnormal state.

Stop using the stage immediately, switch off the motor power and then disconnect the electronics power supply.

After checking that smoke is no longer being emitted contact your Newport service facility and request repairs. Never attempt to repair the stage yourself as this can be dangerous.

WARNING

Make sure that this stage is not exposed to moisture and that liquid does not get into the stage.

Nevertheless, if any liquid has entered the stage, switch off the motor power and then disconnect the electronics from power supply.

Contact your Newport service facility and request repairs.



WARNING

Do not insert or drop objects into this stage, this may cause an electric shock, or lock the drive.

Do not use this stage if any foreign objects have entered the stage. Switch off the motor power and then disconnect the electronics power supply.

Contact your Newport service facility for repairs.

WARNING

Do not place this stage in unstable locations such as on a wobbly table or sloping surface, where it may fall or tip over and cause injury.

If this stage has been dropped or the case has been damaged, switch off the motor power and then disconnect the electronics power supply.

Contact your Newport service facility and request repairs.

WARNING

Do not attempt to modify this stage; this may cause an electric shock or downgrade its performance.

WARNING

Do not exceed the usable depth indicated on the mounting holes (see section “Dimensions”). Longer screws can damage the mechanics or cause a short-circuit.

Cautions

CAUTION

Do not place this stage in a hostile environment such as X-Rays, hard UV,... or in any vacuum environment.

CAUTION

Do not place this stage in a location affected by dust, oil fumes, steam or high humidity. This may cause an electric shock.

CAUTION

Do not leave this stage in places subject to extremely high temperatures or low temperatures. This may cause an electric shock.

- Operating temperature: +10 to +35 °C
 - Storage temperature: -10 to +40 °C (in its original packaging)
-

CAUTION

Do not move this stage if its motor power is on.

Make sure that the cable to the electronics is disconnected before moving the stage. Failure to do so may damage the cable and cause an electrical shock.

CAUTION

Be careful that the stage is not bumped when it is being carried. This may cause it to malfunction.

CAUTION

When handling this stage, always unplug the equipment from the power source for safety.

CAUTION

When the carriage is in its end-of-run position, it is strongly recommended not to go beyond this point as this may damage the stage mechanism.

CAUTION

Contact your Newport service facility to request cleaning and specification control every year.

Goniometric Cradles

BG Series

1.0 Introduction

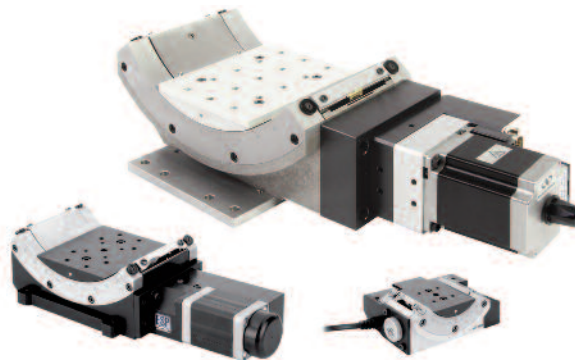
This manual provides operating instructions for the BG series goniometric cradles:

- (M-)BGM-PP
- (M-)BGM-CC
- BGS-PP
- BGS-CC
- (M-)BGM-PE
- (M-)BGM-PEV6 ⁽¹⁾

(M-) indicates that imperial and metric interface versions are available (e.g. BGM160PE and M-BGM160PE). Mechanical and electrical characteristics are identical for both models.

^{D)} REMARK

Vacuum compatible goniometric cradles to 10^{-6} hPa. In this case, max. speed and load capacity have to be divided by two.



BGS50CC, BGS80PP and BGM120PP goniometric cradles.

RECOMMENDATION

We recommend you read carefully the chapter “Connection to electronics” before using the BG goniometric cradle.



Adjacent sizes of BG cradles can easily be stacked to provide orthogonal 2 axis rotation around a fixed point.

2.0 Description

BG Series goniometric cradles rotate on a transverse axis above the platform. Compared to full 360° rotation stages, they offer maximum access to the rotating part and allow construction of very compact multi-axis rotation assemblies. BG cradles are designed so that orthogonal mounting of two adjacent-sized cradles (e.g., BGS50 and BGS80) provides two perpendicular axes of rotation at about the same point in space. Mounting a rotation stage under the assembly adds a third orthogonal rotation axis through the same point.

Precise rotation is ensured by a precision ground, hardened worm gear drive. Single-row ball bearings and precision-ground tool-steel races ensure smooth rotation with minimal wobble and eccentricity. A home switch, conveniently located at center of travel, facilitates the return of the platform to a level position.

BG Series goniometric cradles are available in 5 sizes and may be configured with DC motors or stepper motors. The selection of the motorization is dependent on the application.

2.1 Design Details

Base Material	Stainless steel with aluminum body
Bearings	Ball bearings
Drive Mechanism	Ground worm gear
Worm Gear Ratio	BGS50, BGS80 and BGM120: 1:180 BGM160 and BGM200: 1:60
Reduction Gear	BGS50CC: 14:1, BGS50PP: 43:1, BGS80CC: 44:20 BGS80PP and BGM120 ⁽¹⁾ : None BGM160 ⁽¹⁾ and BGM200 ⁽¹⁾ : 3:1
Feedback	BGS50CC: Motor mounted rotary encoder, 2,048 cts/rev BGS50PP and BGS80PP: none BGS80CC: Worm mounted rotary encoder with index pulse, 4,000 cts/rev BGM120 to BGM200: Worm mounted rotary encoder with index pulse, 2000 cts/rev
Limit Switches	Mechanical, at ±45° (for BGS50 Mechanical, at ±30°)
Origin	Optical, at 0°
Cable	3 m long cable included
Vacuum Compatibility	Available up to 10 ⁻⁶ hPa using full step motor (BGM120PE to BGM200PE only)

¹⁾ Additional motor mounted 10:1 reduction gear with PE versions.



NOTE

This product complies with the RoHS directive (Restriction of Hazardous Substances).

3.0 Characteristics

3.1 Definitions

Specifications of our products are established in reference to ISO 230 standard part II “Determination of accuracy and repeatability of positioning numerically controlled axes”.

This standard gives the definition of position uncertainty which depends on the 3 following parameters:

(Absolute) Accuracy

Difference between ideal position and real position.

On-Axis Accuracy

Difference between ideal position and real position after the compensation of linear errors.

Linear errors include: cosine errors, inaccuracy of screw or linear scale pitch, angular deviation at the measuring point (Abbe error) and thermal expansion effects. All Newport motion electronics can compensate for linear errors.

The relation between absolute accuracy and on-axis accuracy is as follows:

$$\text{Absolute Accuracy} = \text{On-Axis Accuracy} + \text{Correction Factor} \times \text{Travel}$$

Repeatability

Ability of a system to achieve a commanded position over many attempts.

Reversal Value (Hysteresis)

Difference between actual position values obtained for a given target position when approached from opposite directions.

Minimum Incremental Motion (MIM or Sensitivity)

The smallest increment of motion a device is capable of delivering consistently and reliably.

Resolution

The smallest increment that a motion device can theoretically move and/or detect. Resolution is not achievable, whereas MIM, is the real output of a motion system.

Eccentricity

Displacement of the geometric center of a rotation stage from the rotation axis in the plane defined by bearings.

Wobble

Tilt of rotation axis during rotation of a stage, measured on a reference surface.

The testing of on-axis accuracy, repeatability, and reversal error are made systematically with test equipment in an air-conditioned room (20^{±1} °C).

A linear cycle with 21 data points on the travel and 4 cycles in each direction gives a total of 164 points.

Guaranteed Specifications

Guaranteed maximum performance values are verified per Newport's A167 metrology test procedure. For more information, please consult the metrology tutorial section in the Newport catalog or at www.newport.com

3.2 Mechanical Specifications



	BGS50CC	BGS50PP	BGS80CC	BGS80PP	BGM120, BGM160, BGM200
Travel Range (°)	±30	±30	±45	±45	±45
Minimum Incremental Motion (°)	0.0005	0.0002	0.0005	0.0002	0.002
Uni-directional Repeatability Typical ⁽¹⁾ (°)	0.001	0.001	0.001	0.001	0.004
Bi-directional Repeatability, Typical ⁽¹⁾ (°)	0.013 or ±0.0065	0.016 or ±0.008	0.003 or ±0.0015	0.005 or ±0.0025	0.024 or ±0.012
Absolute Accuracy, Typical ⁽¹⁾ (°)	0.05 or ±0.025	0.07 or ±0.035	0.05 or ±0.025	0.06 or ±0.03	0.05 or ±0.025
Maximum Speed (°/s)	10	4	20	20	CC and PP: 20, PE: 2
Wobble, Typical ⁽¹⁾ (μrad)	200 or ±100	200 or ±100	200 or ±100	200 or ±100	200 or ±100
MTBF (h)	20,000				

¹⁾ Shown are peak to peak, guaranteed specifications or ±half the value as sometimes shown. For the definition of typical specifications which are about 2X better than the guaranteed values, visit www.newport.com for the Motion Control Metrology Primer. The actual performance of BG stages are not verified on all production units, hence typical specifications are provided.



CAUTION

To reach specifications stated, stages must be fixed on a plane surface with a flatness of 5 μm.

3.3 Load Specification Definitions

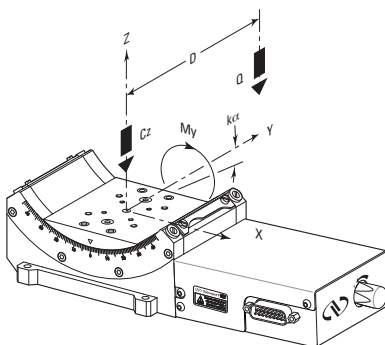
Normal Load Capacity (Cz)

Maximum load a rotation stage can move while maintaining specifications. This value is given with speed and acceleration specified for each rotation stage, and with a load perpendicular to bearings.

Off-Centered Load (Q)

Maximum cantilever-load a rotation stage can move: $Q \leq Cz \div (1 + D/a)$
 D: Cantilever distance.

3.4 Load Characteristics and Stiffness



	BGS50	BGS80	BGM120	BGM160	BGM200	
Cz, Normal centered load capacity (N)	20	60	200	300	500	
a, Construction parameter (mm)	30	40	70	90	120	
kcx, Radial compliance (μrad/Nm)	100	20	10	5	2	
My, Maximum torque (Nm)	PE:	—	10	20	29	
	PP:	0.5	1	6	16	17
	CC:	0.5	1	9	10	10
Q, Off-center load:	$Q \leq Cz \div (1 + D/a)$					
Where D = Cantilever distance in mm						

3.5 Goniometric Cradle Weights

Weights indicated into the below table are average values for goniometric cradles with a typical drive unit installed, without any cable.

	Weight [lb (kg)]
BGS50	1.76 (0.8)
BGS80	4.63 (2.1)
3-meter MSCABLE-3 Cable for BGS80 models	0.66 (0.3)
(M-)BGM120	18.7 (8.5)
(M-)BGM160	39.7 (18.0)
(M-)BGM200	83.8 (38.0)
3-meter MMCABLE-3 Cable for (M-)BGM models	1.54 (0.7)
3-meter MCAB-3 Cable for (M-)BGM models	1.32 (0.6)

The weight variation between drive units is not very significant.

4.0 Drive

4.1 Stepper Drive Versions

Stepper motor-driven stages are available in 2 versions:

- The mini-step drive version (PP) enables high angular speed up to 20 °/s. The larger models, BGM120PP to BGM200PP, feature a worm mounted rotary encoder for improved accuracy and repeatability. The encoder also provides a method for detecting motor stalling, an important feature for applications with loads or high torques.

The BGS50PP and BGS80PP are not equipped with an encoder. Instead, position is attained by the number of commanded steps and micro-steps. The high output torque of the stepper motor, combined with extensive performance tests, ensures position accuracy as long as the recommended load and torque are not exceeded. The BGS50PP and BGS80PP provide very high motion sensitivity with good linearity between commanded micro-steps and the actual motion of the stage at a very reasonable price.

- The full-step version (PE) is equipped with a reduction gear providing higher torque. This version is only available on the models BGM120 to BGM200 and is recommended for high inertia payloads and vacuum applications.

Mini-Step Drive

Is used for stepper motors, when 1 pulse emitted by electronic corresponds to theoretical physical motion of a fraction of a full step of the motor.

For these goniometric cradles a mini-step equals 1/10 of a full step.

Full-Step Drive

Is used for stepper motors, when 1 pulse emitted by electronic corresponds to theoretical physical motion of 1 full step of the motor.

Stepper Motor Performance Specifications

	Resolution (°)	Speed (°/s)	Motor
BGS50PP	0.0000969	4	UE16PP
BGS80PP	0.001	20	UE34PP
M-BGM120PP	0.001	20	UE62PP
M-BGM160PP and M-BGM200PP	0.001	20	UE63PP
M-BGM120PE to M-BGM200PE	0.001	2	UE41PP

4.2 DC-Servo Drive Versions

DC motor-driven stages use 3 different motors and encoders depending on the size of the cradle:

- The BGS50CC uses a miniature DC servo motor with a motor mounted rotary encoder, a reduction gear and a belt drive in order to fold the motor. The result is a very small and lightweight package providing very high resolution output and great minimum incremental motion capability. However, reversibility is compromised due to some backlash and hysteresis in the reduction gear and belt drive system.
- The BGS80CC features a high resolution 4,000 cts/rev rotary encoder with index pulse for precision homing and is the recommended choice for applications requiring accurate bi-directional positioning. For tightest position control, the rotary encoder is directly mounted on the worm screw. This avoids the majority of drive train error sources that affect other stages with indirect position read-out.
- The BGM120CC to BGM200CC use higher-torque DC servo motors. The motor also features a built-in tachometer to provide superior speed stability.

DC-Motor Performance Specifications

	Resolution (°/s)	Speed (°/s)	Motor
BGS50CC	0.0000698	10	UE1724SR
BGS80CC	0.001	20	UE34CC
(M-)BGM120CC to (M-)BGM200CC	0.001	20	UE511CC

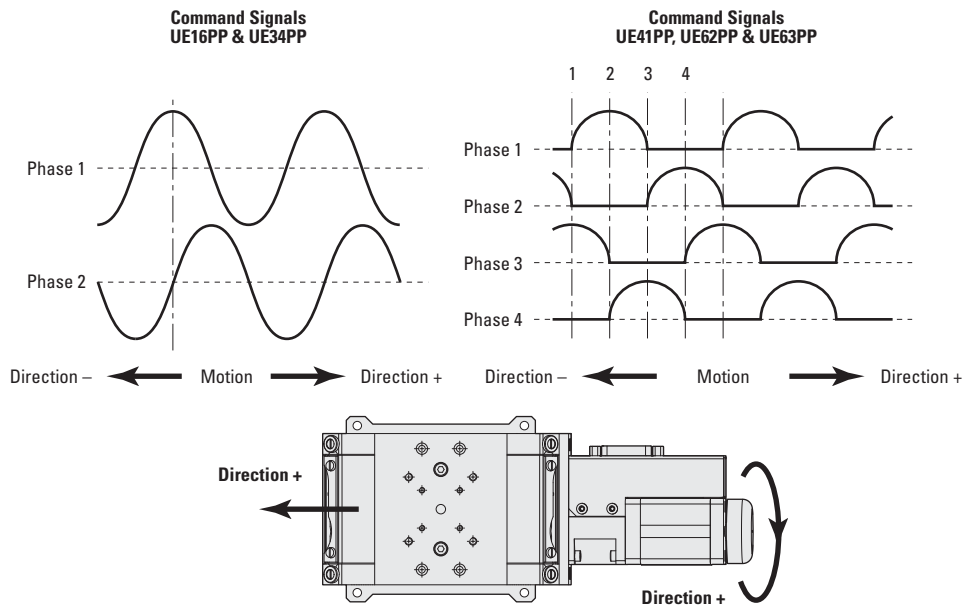
5.0 Motor

5.1 Stepper Motor Characteristics

Motor	Angle by Step (°)	RMS Current per Phase (A)	Resistance (Ω)	Inductance (mH)	Newport Utilization
UE16PP	0.23 ⁽¹⁾	0.25	12.5	5.5	Micro-Step
UE34PP	1.8 ⁽¹⁾	1.0	1.7	2.8	Micro-Step
UE41PP	1.8	1.2	3	4.3	Full-Step or Mini-Step
UE62PP	1.8	1.8	2.6	4.9	Mini-Step
UE63PP	1.8	2.9	1.16	2.0	Mini-Step

¹⁾ Angle by micro-step.

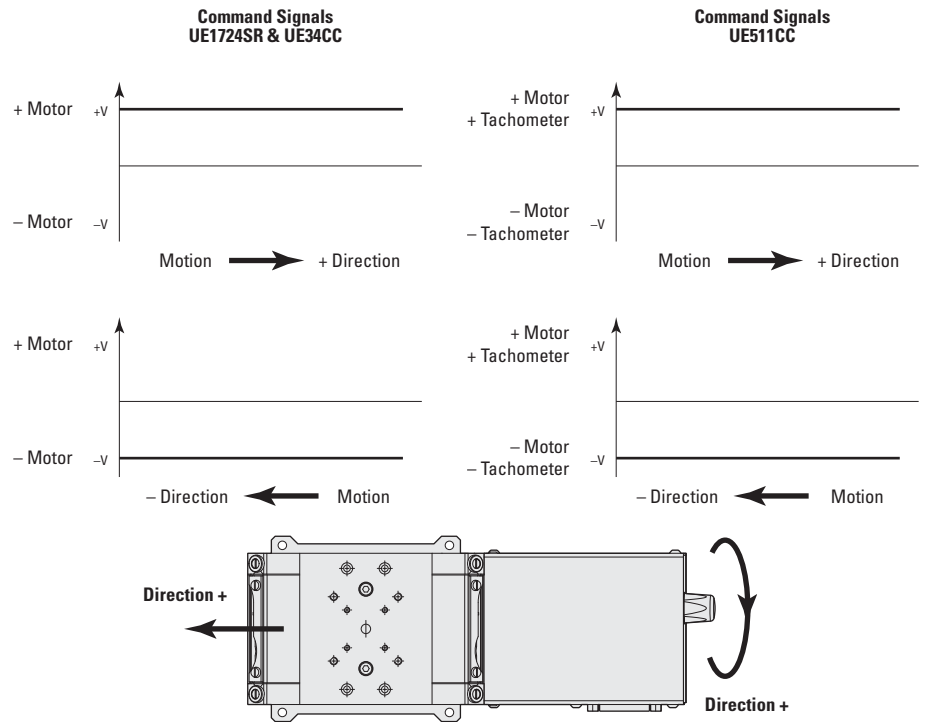
5.2 Command Signals for the Stepper Motor



5.3 DC-Motor Characteristics

Motor	Nominal Voltage (V)	Max. RMS Current (A)	Max. Peak Current (A)	Resistance (Ω)	Inductance (mH)	Tachometer Const. (V/krpm)
UE1724SR	24	0.15	0.21	54.6	1.19	-
UE34CC	48	0.9	1.8	2.52	0.51	-
UE511CC	48	1.5	2.3	5.1	3.2	7 ($\pm 10\%$)

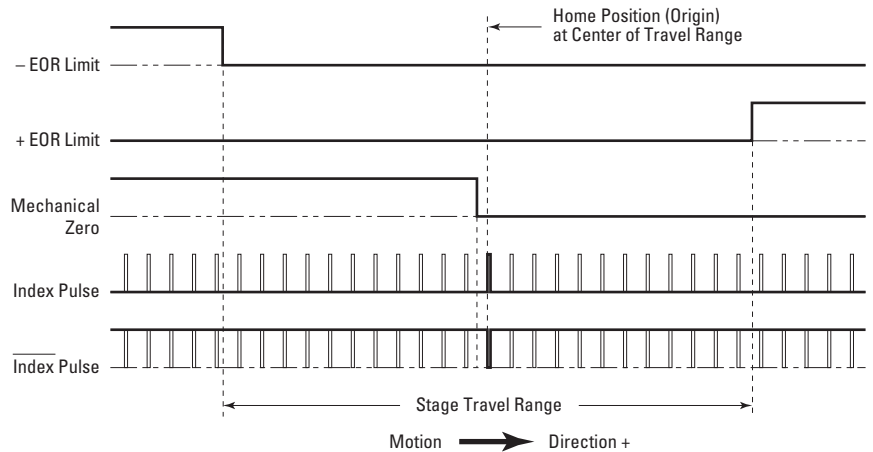
5.4 Command Signals for the DC-Motor



In the above drawings, + Motor signal is referred to - Motor signal, + Tacho Generator signal is referred to - Tacho Generator signal.

- ① When the stage moves in + Direction, the + Motor voltage is higher than - Motor voltage, and + Tacho Generator voltage is higher than - Tacho Generator voltage.
- ② When the stage moves in - Direction, the + Motor voltage is lower than - Motor voltage, and + Tacho Generator voltage is lower than - Tacho Generator voltage.

5.5 Sensor Position



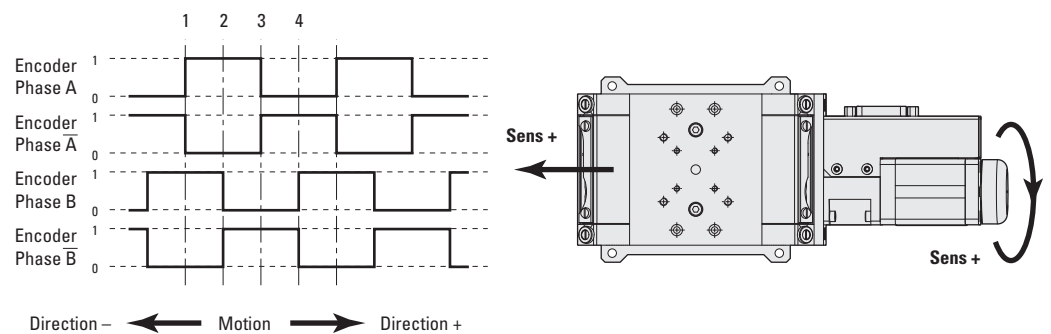
End-of-Run and Mechanical Zero are 5 V open collector type.
 The Index Pulse provides a repeatable Home Position at ± 1 step.



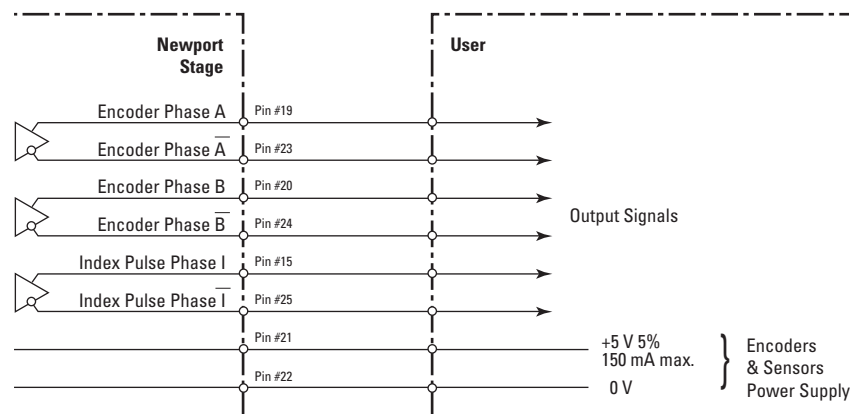
CAUTION

“End-of-Run” and “Mechanical Zero” are active signals and should not be connected to any other source.

5.6 Feedback Signal Position



The incremental sensor consists of an optical scale and an encoder head. When the carriages of the stage move, the encoder head generates square signals in quadrature, sent to pins #19, #20, #23 and #24 of the SUB-D25 connector.

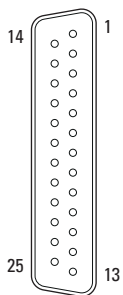


“Encoder” and “Index Pulse” are “differential pair” (type RS-422) type output signals. Using these signals permits a high immunity to noise. Emission circuits generally used by Newport are 26LS31 or MC3487. Reception circuits to use are 26LS32 or MC3486.

5.7 BGS Pinouts

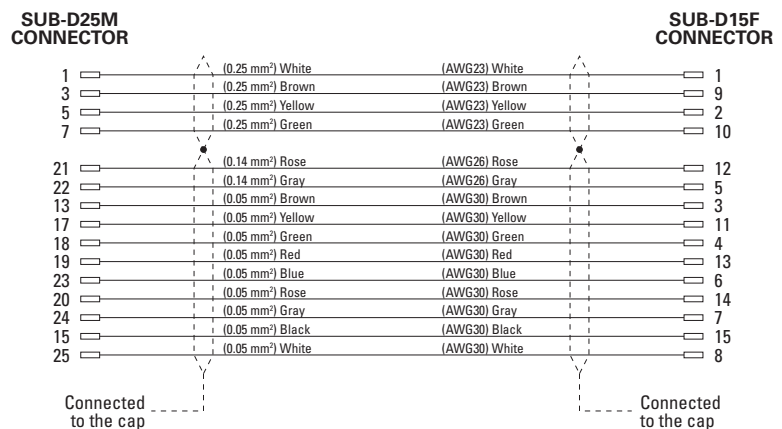
The SUB-D25 connection at the end of the cable for the BGS goniometric cradles, is given in the following tables:

BGS50PP UE16PP		BGS80PP UE34PP		BGS50CC UE1724SR		BGS80CC UE34CC	
1	Phase 1a	1	+ Phase 1	1	N.C.	1	N.C.
2	N.C.	2	+ Phase 1	2	N.C.	2	N.C.
3	Phase 1b	3	- Phase 1	3	N.C.	3	N.C.
4	N.C.	4	- Phase 1	4	N.C.	4	N.C.
5	Phase 2a	5	- Phase 2	5	+ Motor	5	+ Motor
6	N.C.	6	- Phase 2	6	+ Motor	6	+ Motor
7	Phase 2b	7	+ Phase 2	7	- Motor	7	- Motor
8	N.C.	8	+ Phase 2	8	- Motor	8	- Motor
9	N.C.	9	N.C.	9	N.C.	9	N.C.
10	N.C.	10	N.C.	10	N.C.	10	N.C.
11	N.C.	11	N.C.	11	N.C.	11	N.C.
12	N.C.	12	N.C.	12	N.C.	12	N.C.
13	Mechanical Zero	13	Mechanical Zero	13	N.C.	13	Mechanical Zero
14	Shield Ground	14	Shield Ground	14	Shield Ground	14	Shield Ground
15	N.C.	15	N.C.	15	N.C.	15	Index Pulse
16	0 V Logic	16	0 V Logic	16	0 V Logic	16	0 V Logic
17	+ End-of-Run	17	+ End-of-Run	17	+ End-of-Run	17	+ End-of-Run
18	- End-of-Run	18	- End-of-Run	18	- End-of-Run	18	- End-of-Run
19	N.C.	19	N.C.	19	Encoder Phase A	19	Encoder Phase A
20	N.C.	20	N.C.	20	Encoder Phase B	20	Encoder Phase B
21	+5 V (Mech. Zero & E-o-R)	21	+5 V (Mech. Zero & E-o-R)	21	Encoder Power: +5 V	21	+5 V (Mech. Zero, E-o-R & Encoder)
22	0 V	22	0 V	22	0 V Encoder	22	0 V Encoder
23	N.C.	23	N.C.	23	Encoder Phase /A	23	Encoder Phase /A
24	N.C.	24	N.C.	24	Encoder Phase /B	24	Encoder Phase /B
25	N.C.	25	N.C.	25	N.C.	25	/Index Pulse



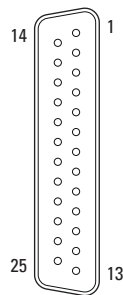
5.8 MSCABLE-3 Cable

A MSCABLE-3 cable is supplied with several versions of BGS stages (see section 6.3: “Cables”).



5.9 BGM Pinouts

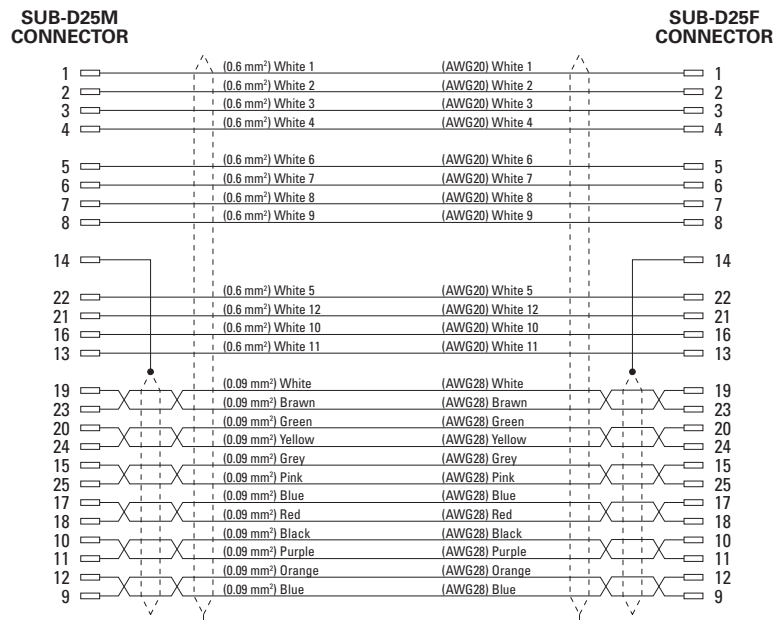
The SUB-D25 connection at the end of the cable for the BGM goniometric cradles, is given in the following tables:



(M-)BGM-PP & PE UE41PP; UE62PP; UE63PP		(M-)BGM-CC UE511CC	
1	Phase 1	1	+ Tachometer
2	Phase 1	2	+ Tachometer
3	Phase 2	3	- Tachometer
4	Phase 2	4	- Tachometer
5	Phase 3	5	+ Motor
6	Phase 3	6	+ Motor
7	Phase 4	7	- Motor
8	Phase 4	8	- Motor
9	Common Phase 3-4	9	N.C.
10	N.C.	10	N.C.
11	Common Phase 1-2	11	N.C.
12	N.C.	12	N.C.
13	Mechanical Zero	13	Mechanical Zero
14	Shield Ground	14	Shield Ground
15	Index Pulse I	15	Index Pulse I
16	0 V Logic	16	0 V Logic
17	+ End-of-Run	17	+ End-of-Run
18	- End-of-Run	18	- End-of-Run
19	Encoder Phase A	19	Encoder Phase A
20	Encoder Phase B	20	Encoder Phase B
21	+5 V Encoder	21	+5 V Encoder
22	0 V Encoder	22	0 V Encoder
23	Encoder Phase /A	23	Encoder Phase /A
24	Encoder Phase /B	24	Encoder Phase /B
25	Index Pulse /I	25	Index Pulse /I

5.10 MCAB-3 Cable

A MCAB-3 cable is supplied with several versions of BGM stages (see section 6.3: “Cables”).



6.0 Connection to Newport Controllers

6.1 Warnings on Controllers

Controllers are intended for use by qualified personnel who recognize shock hazards and are familiar with safety precautions required to avoid possible injury. Read the controller user's manual carefully before operating the instrument and pay attention to all written warnings and cautions.

WARNING

Disconnect the power plug under the following circumstances:

- If the power cord or any attached cables are frayed or damaged in any way.
- If the power plug is damaged in any way.
- If the unit is exposed to rain, excessive moisture, or liquids are spilled on the unit.
- If the unit has been dropped or the case is damaged.
- If you suspect service or repair is required.
- Whenever you clean the electronics unit.

CAUTION

To protect the unit from damage, be sure to:

- Keep all air vents free of dirt and dust.
- Keep all liquids away from the unit.
- Do not expose the unit to excessive moisture (85% humidity).
- Read this manual before using the unit for the first time.



WARNING

All attachment plug receptacles in the vicinity of this unit are to be of the grounding type and properly polarized.

Contact your electrician to check your receptacles.

WARNING

This product is equipped with a 3-wire grounding type plug.

Any interruption of the grounding connection can create an electric shock hazard.

If you are unable to insert the plug into your wall plug receptacle, contact your electrician to perform the necessary alterations to ensure that the green (green-yellow) wire is attached to earth ground.

WARNING

This product operates with voltages that can be lethal.

Pushing objects of any kind into cabinet slots or holes, or spilling any liquid on the product, may touch hazardous voltage points or short out parts.

6.2 Connection

On each goniometric cradle is represented a label which indicates its name and its serial number.



WARNING

Always turn the controller's power OFF before connecting to a stage.

Stages may be connected to the rear panel motor connectors any time prior to power-up with the supplied cable assemblies.

NOTE



These stages are **ESP compatible**. **Enhanced System Performance** is Newport's exclusive technology that enables Newport ESP motion controllers to recognize the connected Newport ESP stage and upload the stage parameters. This ensures that the user can operate the motion system quickly and safely.

6.3 Cables

Our goniometric cradles are delivered with a 3-meter cable.

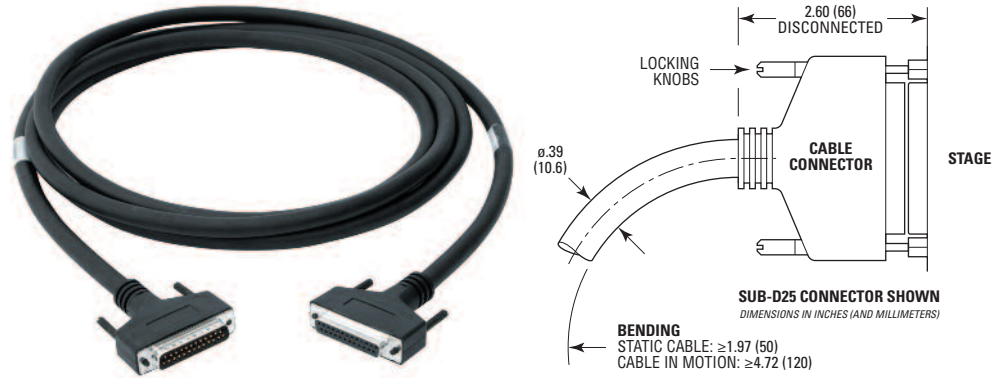
This cable is linked to the body of the stage for the BGS50 goniometric cradles.

Other stages are delivered with a separate **MMCABLE-3**, **MSCABLE-3** or **MCAB-3** cable according to the goniometric cradle you bought. This cable is equipped with a SUB-D25M connector so it can be directly connected to our controllers/drivers.

The cable supplied with your goniometric cradle is given in the following table:

Drive	Model			
	BGS80	(M-)BGM120	(M-)BGM160	(M-)BGM200
PP	MSCABLE-3	MMCABLE-3	MMCABLE-3	MMCABLE-3
PE	MSCABLE-3	MMCABLE-3	MMCABLE-3	MMCABLE-3
PEV6	–	MMCABLE-3	MMCABLE-3	MMCABLE-3
CC	MSCABLE-3	MCAB-3	MCAB-3	MCAB-3

6.4 MMCABLE-3 Cable



WARNING

This cable is shielded correctly. For a correct operation, make sure to lock connectors (ground continuity provided by the cable).

For applications where the standard 3-meter cable (**MMCABLE-3**) included with your stage is not adequate, Newport offers longer length cables designed to ensure the integrity of your positioning application.

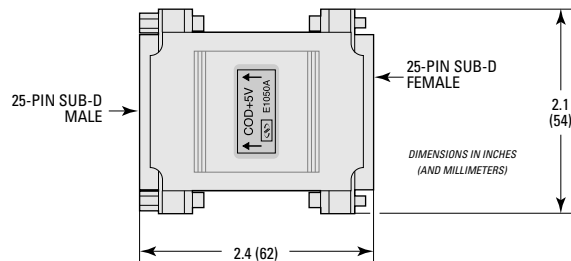
These cables are specially shielded and terminated with Newport’s standard SUB-D25 connectors. They are available in 5-m (**MMCABLE-5**), 7-m (**MMCABLE-7**) or 10-m (**MMCABLE-10**) lengths.



WARNING

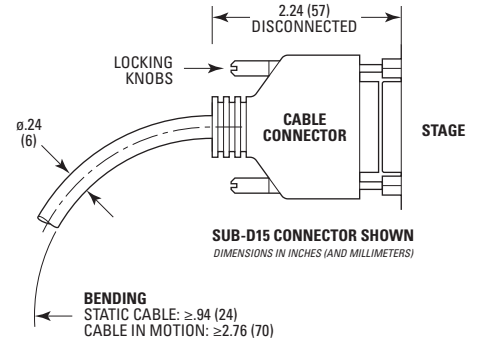
Keep the motor cables at a safe distance from other electrical cables in your environment to avoid potential cross talk.

For cable lengths in excess of 3 meters, we recommend the **MMCABLE-REG** to ensure a high quality, regulated 5 V supply to the stages.



This regulator is available as an option. Please note that for best efficiency, this regulator should be attached to the stage to re-adjust the 5 V coming from the controller through the long cable.

6.5 MSCABLE-3 Cable



WARNING

This cable is shielded correctly. For a correct operation, make sure to lock connectors (ground continuity provided by the cable).

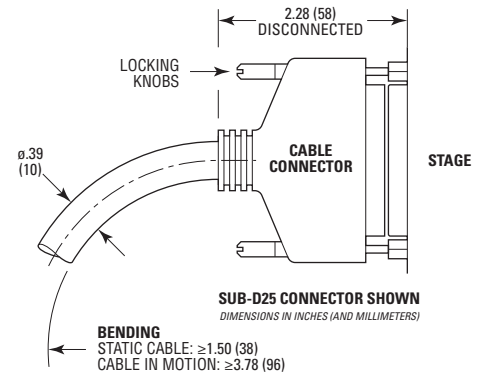
For applications where the standard 3-meter cable (**MSCABLE-3**) included with your stage is not adequate, Newport offers a 10-m longer length cable (**MSCABLE-10**) designed to ensure the integrity of your positioning application.

REMARK

The cross section of the MSCAB-10 cable is different from the one of the MSCABLE-3 cable to allow a longer length. The MSCAB-10 cable has the same mechanical properties as the MCAB-10 cable.

These cables are specially shielded and terminated with Newport's

6.6 MCAB-3 Cable



WARNING

This cable is shielded correctly. For a correct operation, make sure to lock connectors (ground continuity provided by the cable).

For applications where the standard 3-meter cable (**MCAB-3**) included with your stage is not adequate, Newport offers longer length cables designed to ensure the integrity of your positioning application.

These cables are specially shielded and terminated with Newport's standard SUB-D25 connectors. They are available in 5-m (**MCAB-5**), 7-m (**MCAB-7**) or 10-m (**MCAB-10**) lengths.



WARNING

Keep the motor cables at a safe distance from other electrical cables in your environment to avoid potential cross talk.

7.0 Connection to Non-Newport Electronics

7.1 Connections

WARNING

Newport is not responsible for malfunction or damage to a BG goniometric cradle when it is used with non- Newport controllers.



WARNING

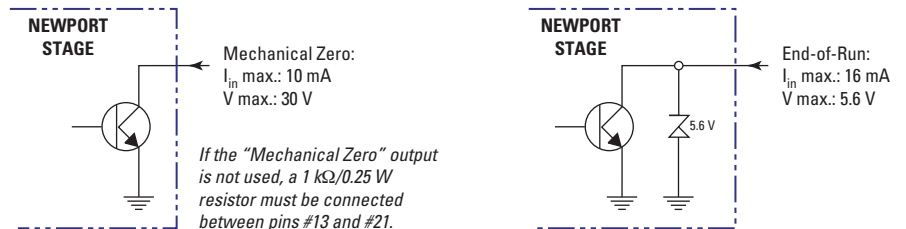
Newport guarantees “CE” compliance of the BG goniometric cradles only if they are used with Newport cables and controllers.

Nevertheless, the figure below shows the wiring when a BG goniometric cradle is used with non-Newport controllers.

Sub-D25 male Connector	Connection BGS50PP	Connection BGS80PP	Connection (M-)BGMPP & PE	Connection BGS50CC	Connection BGS80CC	Connection (M-)BGMCC
9	N.C.	N.C.	Common Phase 3-4	N.C.	N.C.	N.C.
10	N.C.	N.C.	N.C.	N.C.	N.C.	N.C.
11	N.C.	N.C.	Common Phase 1-2	N.C.	N.C.	N.C.
12	N.C.	N.C.	N.C.	N.C.	N.C.	N.C.
1	Phase 1a	+ Phase 1	Phase 1	N.C.	N.C.	+ Tachometer
2	N.C.	- Phase 1	Phase 1	N.C.	N.C.	+ Tachometer
3	Phase 1	- Phase 1	Phase 2	N.C.	N.C.	- Tachometer
4	N.C.	- Phase 1	Phase 2	N.C.	N.C.	- Tachometer
5	Phase 2a	- Phase 2	Phase 3	+ Motor	+ Motor	+ Motor
6	N.C.	- Phase 2	Phase 3	+ Motor	+ Motor	+ Motor
7	Phase 2b	+ Phase 2	Phase 4	- Motor	- Motor	- Motor
8	N.C.	+ Phase 2	Phase 4	- Motor	- Motor	- Motor
14	Ground	Ground	Ground	Ground	Ground	Ground
16	0 V Logic	0 V Logic	0 V Logic	0 V Logic	0 V Logic	0 V Logic
13	Mechanical Zero ⁽¹⁾	Mechanical Zero ⁽¹⁾	Mechanical Zero ⁽¹⁾	N.C.	Mechanical Zero ⁽¹⁾	Mechanical Zero ⁽¹⁾
19	N.C.	N.C.	Encoder Phase A	Encoder Phase A	Encoder Phase A	Encoder Phase A
23	N.C.	N.C.	Encoder Phase /A	Encoder Phase /A	Encoder Phase /A	Encoder Phase /A
20	N.C.	N.C.	Encoder Phase B	Encoder Phase B	Encoder Phase B	Encoder Phase B
24	N.C.	N.C.	Encoder Phase /B	Encoder Phase /B	Encoder Phase /B	Encoder Phase /B
15	N.C.	N.C.	Index Pulse /I	N.C.	Index Pulse /I	Index Pulse /I
25	N.C.	N.C.	Index Pulse /I	N.C.	Index Pulse /I	Index Pulse /I
17	+ End-of-Run ⁽²⁾	+ End-of-Run ⁽²⁾	+ End-of-Run ⁽²⁾	+ End-of-Run ⁽²⁾	+ End-of-Run ⁽²⁾	+ End-of-Run ⁽²⁾
18	- End-of-Run ⁽²⁾	- End-of-Run ⁽²⁾	- End-of-Run ⁽²⁾	- End-of-Run ⁽²⁾	- End-of-Run ⁽²⁾	- End-of-Run ⁽²⁾
21	+5 V	+5 V	+5 V Encoder	+5 V Encoder	+5 V Encoder	+5 V Encoder
22	0 V	0 V	0 V Encoder	0 V Encoder	0 V Encoder	0 V Encoder
Connector Cap	Connector Cap	Connector Cap	Connector Cap	Connector Cap	Connector Cap	Connector Cap

⁽¹⁾ The Mechanical Zero logic signal is open collector type. It supports until 30 V and 10 mA.

⁽²⁾ Open collector type with a 5.6 V protective Zener diode.



“Encoder” and “Index Pulse” are “differential pair” (type RS-422) type output signals. Using these signals permits a high immunity to noise. Emission circuits generally used by Newport are 26LS31 or MC3487. Reception circuits to use are 26LS32 or MC3486.

8.0 BGM Goniometric Cradles Assembly Pattern

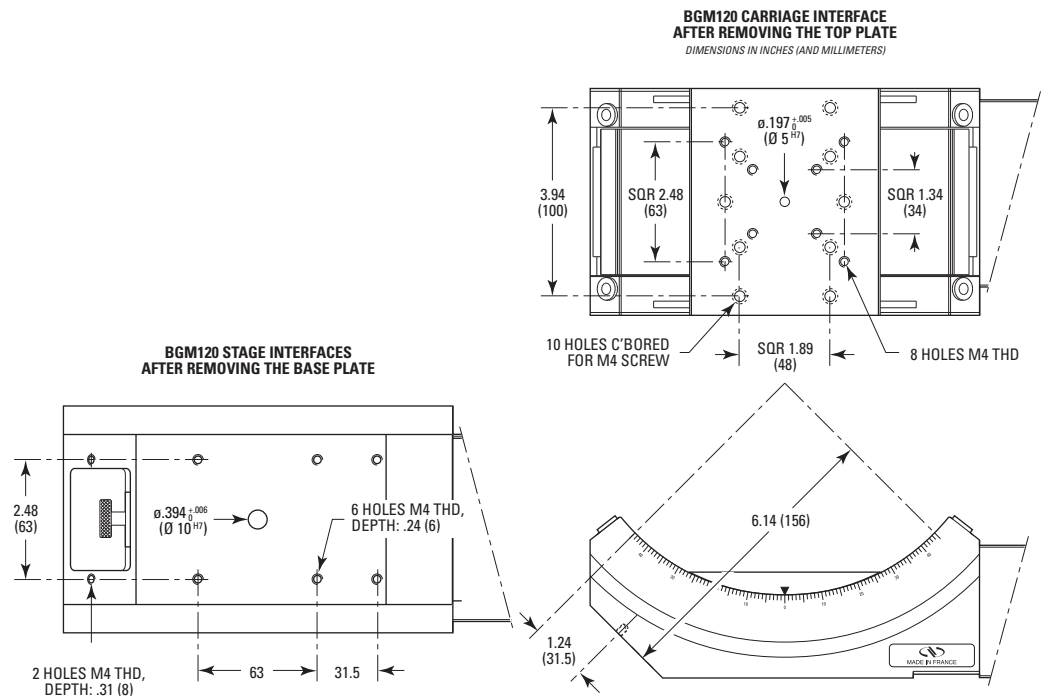
Stacking BG goniometric cradles either together or with other Newport stage is easily accomplished. Below are example schematics of the assembly patterns used. For BGM stages, these interfaces are accessed by unscrewing and removing the upper and/or lower plates of the stages (see dimension drawings).

NOTE

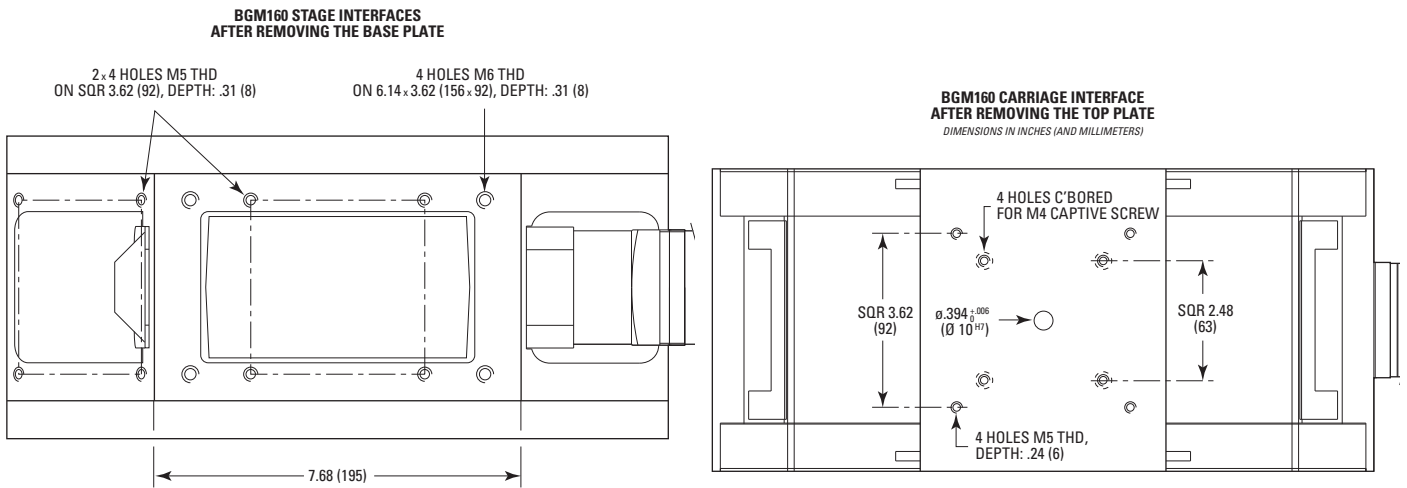
To access the interface holes of the carriage, simply move the bottom stage to its extreme position. Two c'bored holes will be accessible from one end of travel and the other two holes will be accessible from the other end of travel. For example, between the BGM160 and BGM200, use the M6 holes in a 6.14 x 3.62 (156 x 92 mm) pattern. BGS80 on BGM120, use M4 holes in a SQR 1.89 (48 mm) pattern.

To access the mounting holes, move the bottom stage carriage to one end of travel. The 2 x M4 c'bores on the BGM120 carriage will now be accessible. Install the M4 SHCS, and tighten - finger-tight only. Move the carriage to the other end of travel and access the other 2 x M4 holes (SQR 1.89 (48 mm) pattern). Install the other 2 M4 SHCS. Visually inspect the orthogonality and tighten using an Allen wrench. Move to the previous end of travel and tighten the two screws with an Allen wrench.

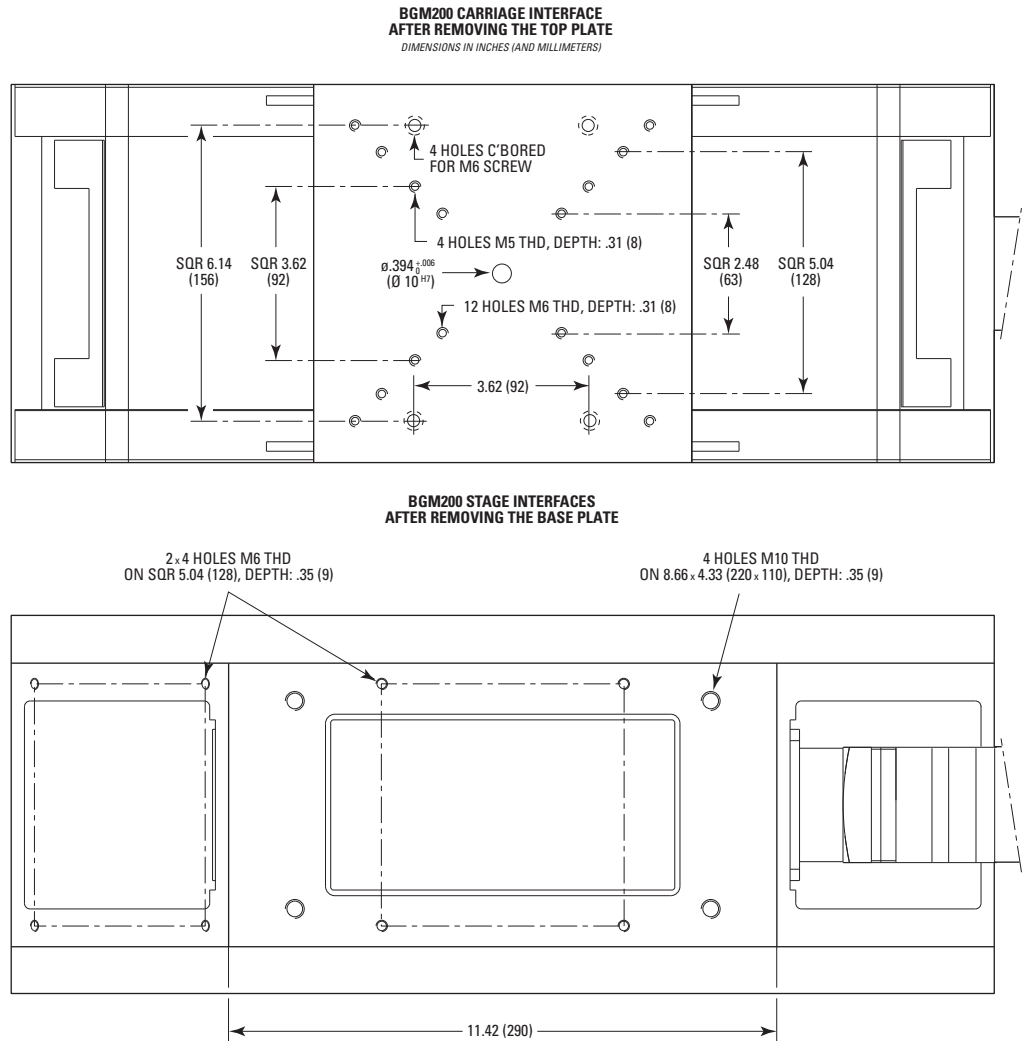
8.1 BGM120 Interfaces



8.2 BGM160 Interfaces

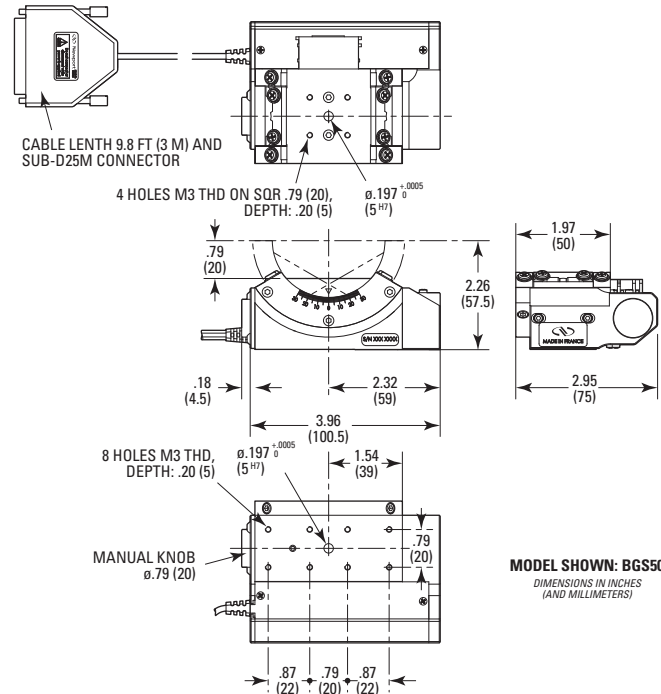


8.3 BGM200 Interfaces



9.0 Dimensions

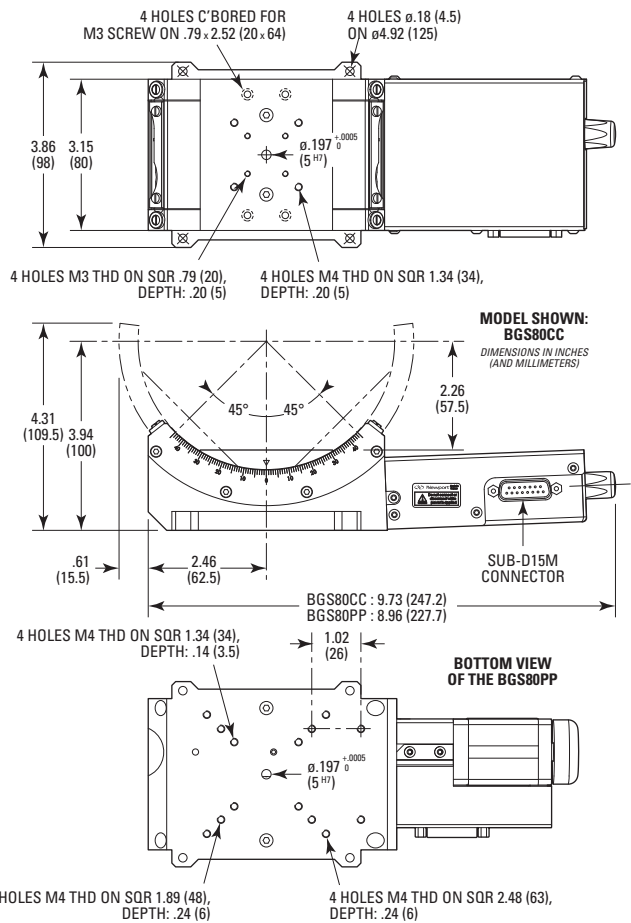
9.1 BGS50 Models



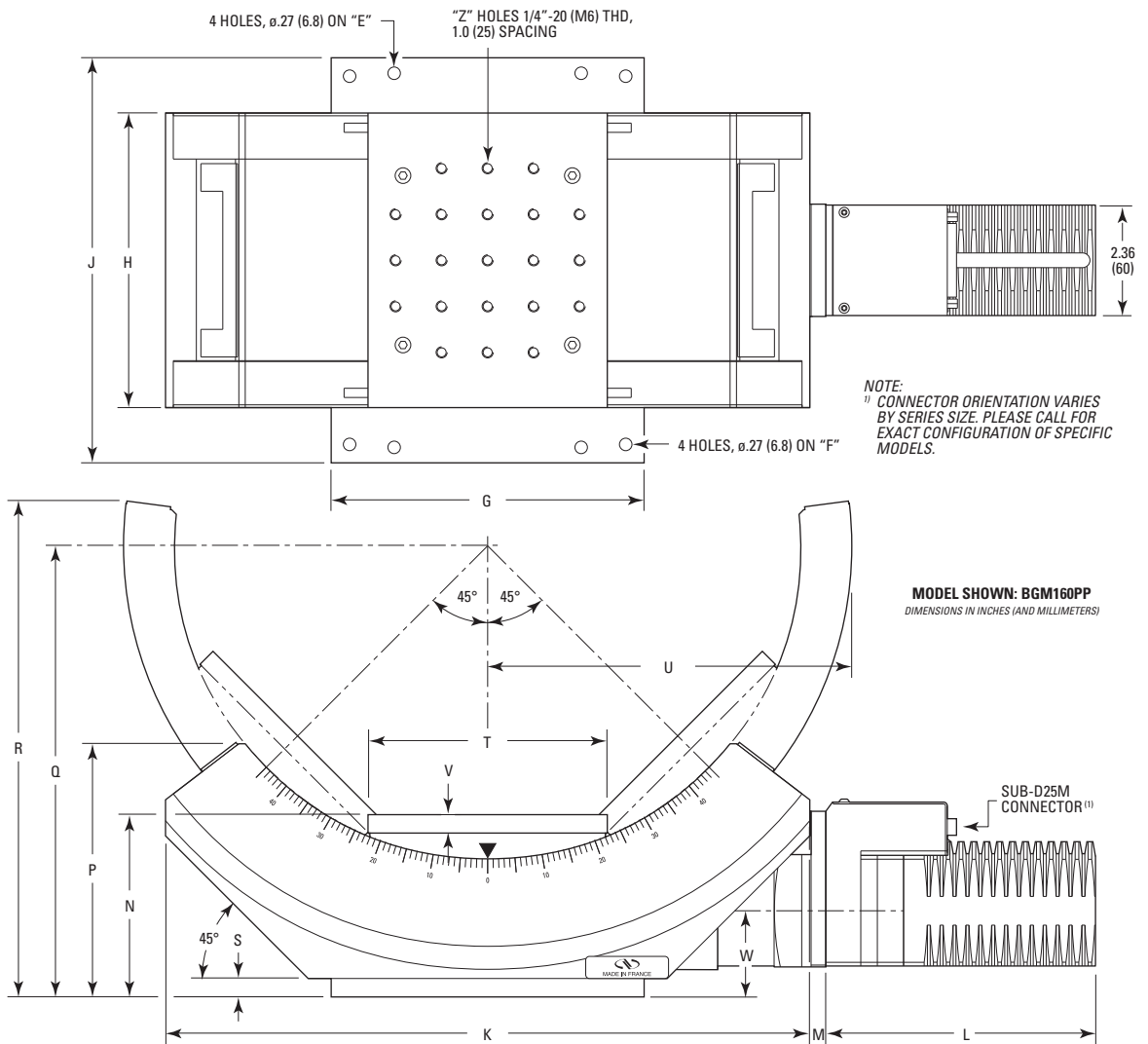
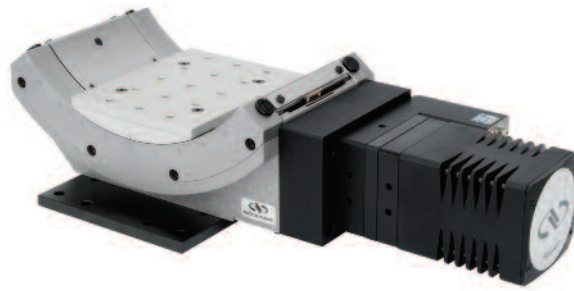
9.2 BGS80 Models



Note: BGS80 goniometric cradles are supplied with a 3-m cable equipped with Sub-D15 female/Sub-D25 male connectors.



9.3 BGM Models



MODEL (METRIC)	L		
	PP	PE	CC
(M-)BGM120	4.76 (121)	5.10 (129.5)	7.56 (192)
(M-)BGM160	5.77 (146.5)	5.10 (129.5)	7.56 (192)
(M-)BGM200			

MODEL (METRIC)	E	F	G	H	J	K	M
(M-)BGM120	6.0 x 2.0 (152.4 x 50.8)	5.91 x 3.94 (150 x 100)	4.72 (120)	4.72 (120)	6.69 (170)	8.11 (206)	1.22 (31)
(M-)BGM160	8.0 x 4.0 (203.2 x 101.6)	7.87 x 5.91 (200 x 150)	6.69 (170)	6.30 (160)	8.66 (220)	13.78 (350)	.34 (8.7)
(M-)BGM200	10.0 x 8.0 (254 x 203.2)	9.84 x 9.84 (250 x 250)	10.63 (270)	7.87 (200)	10.63 (270)	20.47 (520)	-

MODEL (METRIC)	N	P	Q	R	S	T	U	V	W	Z
(M-)BGM120	2.76 (70)	3.70 (94)	6.46 (164)	7.09 (180)	.31 (8)	3.90 (99)	5.04 (128)	.24 (6)	1.70 (43.2)	15
(M-)BGM160	3.90 (99)	5.44 (138.2)	9.65 (245)	10.63 (270)	.39 (10)	5.12 (130)	7.78 (197.5)	.39 (10)	1.84 (46.8)	21
(M-)BGM200	5.31 (135)	7.72 (196)	15.67 (360)	15.67 (398)	.39 (10)	7.87 (200)	11.81 (300)	.39 (10)	2.46 (62.5)	49

10.0 Maintenance

RECOMMENDATION

It is recommended to contact our After Sales Service which will know to define the appropriate maintenance for your application.

10.1 Maintenance

The BG goniometric cradle requires no particular maintenance. Nevertheless, this is a precision mechanical device that must be kept and operated with caution.

PRECAUTIONS

The BG goniometric cradle must be used or stocked in a clean environment, without dust, humidity, solvents or other substances.

RECOMMENDATION

It is recommended to return your BG goniometric cradle to Newport's After Sales Service after every 2000 hours of use for lubrication.

If your goniometric cradle is mounted on a workstation and cannot be easily removed, please contact Newport's After Sales Service for further instructions.

10.2 Repair

CAUTION



Never attempt to disassemble a component of the goniometric cradle that has not been covered in this manual.

To disassemble a non specified component can cause a malfunction of the stage.

If you observe a malfunction in your goniometric cradle, please contact us immediately to arrange for a repair.

CAUTION



Any attempt to disassemble or repair a BG goniometric cradle without prior authorization will void your warranty.

10.3 Calibration

CAUTION



It is recommended to return your BG goniometric cradle to Newport once a year for recalibration to its original specifications.



Visit Newport Online at:
www.newport.com

North America & Asia

Newport Corporation
1791 Deere Ave.
Irvine, CA 92606, USA

Sales

Tel.: (800) 222-6440
e-mail: sales@newport.com

Technical Support

Tel.: (800) 222-6440
e-mail: tech@newport.com

Service, RMAs & Returns

Tel.: (800) 222-6440
e-mail: service@newport.com

Europe

MICRO-CONTROLE Spectra-Physics S.A.S
9, rue du Bois Sauvage
91055 Évry CEDEX
France

Sales & Technical Support

Tel.: +33 (0)1.60.91.68.68
e-mail: france@newport.com

Service & Returns

Tel.: +33 (0)2.38.40.51.55

