

XPS Series

Cable Kits for Direct Drive Motor Stages



Warranty

Newport Corporation warrants this product to be free from defects in material and workmanship for a period of 1 year from the date of shipment. If found to be defective during the warranty period, the product will either be repaired or replaced at Newport's discretion.

To exercise this warranty, write or call your local Newport representative, or contact Newport headquarters in Irvine, California. You will be given prompt assistance and return instructions. Send the instrument, transportation prepaid, to the indicated service facility. Repairs will be made and the instrument returned, transportation prepaid. Repaired products are warranted for the balance of the original warranty period, or at least 90 days.

Limitation of Warranty

This warranty does not apply to defects resulting from modification or misuse of any product or part.



CAUTION

Please return equipment in the original (or equivalent) packing.

You will be responsible for damage incurred from inadequate packaging if the original packaging is not used.

CAUTION

Warranty does not apply to damages resulting from an incorrect usage, an improper grounding or the modification of the motorized drive or any part thereof.

This warranty is in lieu of all other warranties, expressed or implied, including any implied warranty of merchantability or fitness for a particular use. Newport Corporation shall not be liable for any indirect, special, or consequential damages.

© 2019 by Newport Corporation, Irvine, CA. All rights reserved.

Original instructions.

No part of this document may be reproduced or copied without the prior written approval of Newport Corporation. This document is provided for information only, and product specifications are subject to change without notice. Any change will be reflected in future publishings.

Table of Contents

Warranty	ii
<hr/>	
1.0 — Introduction	1
<hr/>	
2.0 — Cable Kits	2
2.1 Selection Table	2
2.2 Kit Descriptions	2
<hr/>	
3.0 — Cables	3
3.1 E3763x: Encoder Cable	3
3.2 E3839x: Motor Cable	3
3.3 E3840x: End-of-Run & Thermistor Cable	4
3.4 E4025x: Motor, End-of-Run & Thermistor Cable	4
3.5 E4949x: Motor Cable	5
3.6 E5775x: Encoder Cable	5
3.7 E5776x: Motor, End-of-Run & Thermistor Cable	6
3.8 E5777x: Motor, End-of-Run & Thermistor Cable	6
3.9 EDBCABLE-E1: End-of-Run Cable	7
3.10 EDBCABLE-M1: Motor Cable	7
3.11 EDBCABLE-M2: Motor, End-of-Run & Thermistor Cable	8
<hr/>	
Service Form	9



Cable Kits for Direct Drive Motor Stages XPS Series

1.0 Introduction

This document describes the cable kits necessary to connect your Newport stage to your XPS-Q, XPS-RL, XPS-D or XPS-RLD controller.

RECOMMENDATION

We recommend you call your Motion Control Newport representative if you are unsure of your choice.



WARNING

The cables included in these kits are shielded correctly. For a correct operation, make sure to lock connectors (ground continuity provided by the cable).



WARNING

Keep the motor cable at a safe distance from other electrical cables in your environment to avoid potential cross talk.

2.0 Cable Kits

2.1 Selection Table

Below is the table that allows you to find the cable kit for connecting your Newport stage to the XPS controllers, following the motor driver.



Stage	XPS-Q or XPS-RL &		XPS-D or XPS-RLD &		
	XPS-DRV02	XPS-EDBL	XPS-DRV02	XPS-DRV11	XPS-EDBL
ILS-LM-S	XPS-RK11	XPS-RK13	XPS-DK26	XPS-DK21	–
IMS-LM-S	XPS-RK12	XPS-RK14	XPS-DK27	XPS-DK22	XPS-DK24
RGV100BL-S	XPS-RK11	–	XPS-DK26	XPS-DK21	–
RGV100HL-S	XPS-RK11	XPS-RK13	XPS-DK26	XPS-DK21	XPS-DK23
RGV160BL-S	–	XPS-RK15	–	–	XPS-DK25
XML-S	XPS-RK12	XPS-RK14	XPS-DK27	XPS-DK22	XPS-DK24
XMS-S	XPS-RK12	–	XPS-DK27	XPS-DK22	–

2.2 Kit Descriptions

Each kit includes several cables that allow to connect the motor, encoder, end-of-runs,... to the controller. The table below indicates the reference of these cables.



Cable Kit	Cable References		
	Encoder + End-of-Runs	Motor (+ Thermistor)	End-of-Runs (+ Thermistor)
XPS-RK11	E3763x ⁽¹⁾	E4025x ⁽¹⁾	–
XPS-RK12	E3763x ⁽¹⁾	E3839x ⁽¹⁾	E3840x ⁽¹⁾
XPS-RK13	E3763x ⁽¹⁾	EDBCABLE-M2	–
XPS-RK14	E3763x ⁽¹⁾	EDBCABLE-M1	EDBCABLE-E1
XPS-RK15	E3763x ⁽¹⁾	E4949x ⁽¹⁾	–
XPS-DK21	E5775x ⁽¹⁾	E5777x ⁽¹⁾	–
XPS-DK22	E5775x ⁽¹⁾	E5776x ⁽¹⁾	–
XPS-DK23	E5775x ⁽¹⁾	EDBCABLE-M2	–
XPS-DK24	E5775x ⁽¹⁾	EDBCABLE-M1	EDBCABLE-E1
XPS-DK25	E5775x ⁽¹⁾	E4949x ⁽¹⁾	–
XPS-DK26	E5775x ⁽¹⁾	E4025x ⁽¹⁾	–
XPS-DK27	E5775x ⁽¹⁾	E3839x ⁽¹⁾	E3840x ⁽¹⁾

¹⁾ The low case letter "x" at the end of the reference represents the revision index of the cable and can therefore be modified at any time without notice.

WARNING



A label stuck on the connectors of most cables indicates its function. Be careful to properly connect each cable in the appropriate stage and controller connectors.

The cable diagrams in the following chapter indicate the stage and controller sides of the cable connectors.

3.0 Cables



WARNING

Always turn the controller's power OFF before connecting to a stage.

3.1 E3763x: Encoder Cable



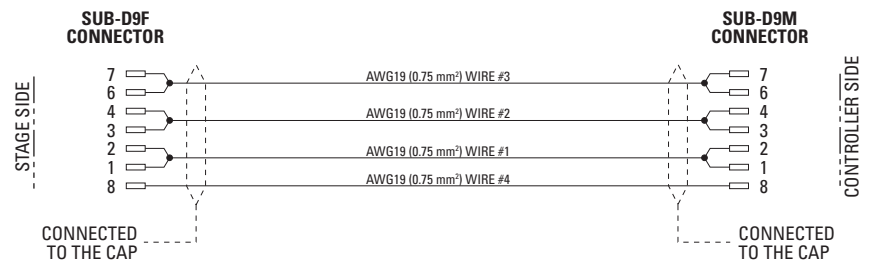
- Length: 16.4 ft (5 m)
- Connectors:
 - Stage side: SUB-D15F
 - Controller side: SUB-D15M
- Outer diameter: .24 in (6 mm)
- Min. static bending radius: .79 in (20 mm)
- Min. dynamic bending radius: 2.95 in (75 mm)



3.2 E3839x: Motor Cable



- Length: 16.4 ft (5 m)
- Connectors:
 - Stage side: SUB-D9F
 - Controller side: SUB-D9M
- Outer diameter: .28 in (7 mm)
- Min. dynamic bending radius: 2.76 in (70 mm)



3.3 E3840x: End-of-Run & Thermistor Cable



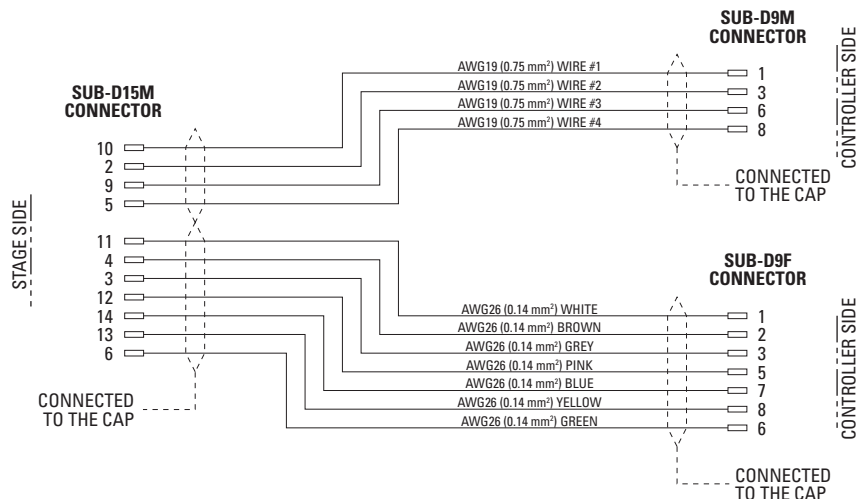
- Length: 16.4 ft (5 m)
- Connectors:
 - Stage side: SUB-D9M
 - Controller side: SUB-D9F
- Outer diameter: .28 in (7 mm)
- Min. dynamic bending radius: 1.77 in (45 mm)



3.4 E4025x: Motor, End-of-Run & Thermistor Cable



- Length: 16.4 ft (5 m)
- Connectors:
 - Stage side: SUB-D15M
 - Controller side: SUB-D9M
 - Outer diameter: .28 in (7 mm)
 - Min. dynamic bending radius: 2.76 in (70 mm)
 - Controller side: SUB-D9F
 - Outer diameter: .28 in (7 mm)
 - Min. dynamic bending radius: 1.77 in (45 mm)



3.5 E4949x: Motor Cable



- Length: 16.4 ft (5 m)
- Connectors:
 - Stage side: DB9W4F
 - Controller side: DB9W4M
- Outer diameter: .45 in (11.5 mm)
- Min. static bending radius: 3.39 in (86 mm)
- Min. dynamic bending radius: 4.53 in (115 mm)



3.6 E5775x: Encoder Cable



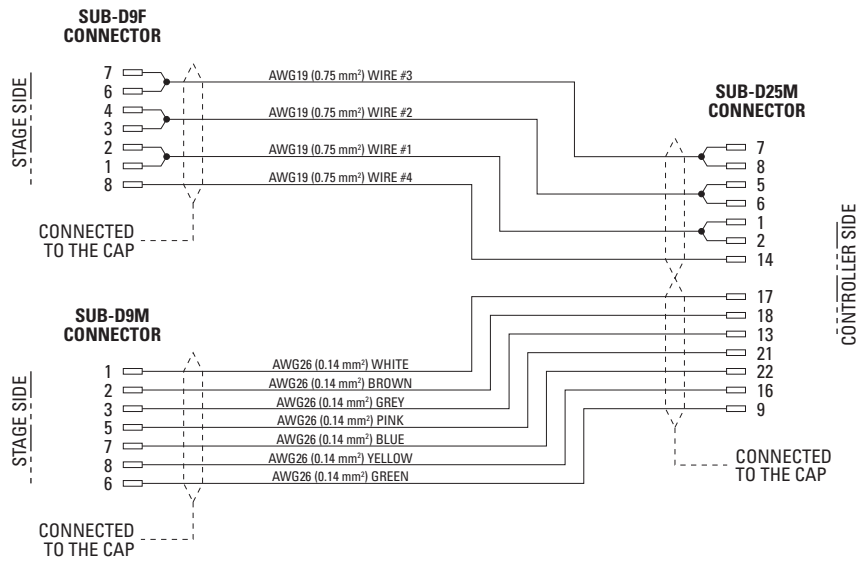
- Length: 16.4 ft (5 m)
- Connectors:
 - Stage side: SUB-D15F
 - Controller side: SUB-D26HDM
- Outer diameter: .24 in (6 mm)
- Min. static bending radius: .79 in (20 mm)
- Min. dynamic bending radius: 2.95 in (75 mm)



3.7 E5776x: Motor, End-of-Run & Thermistor Cable



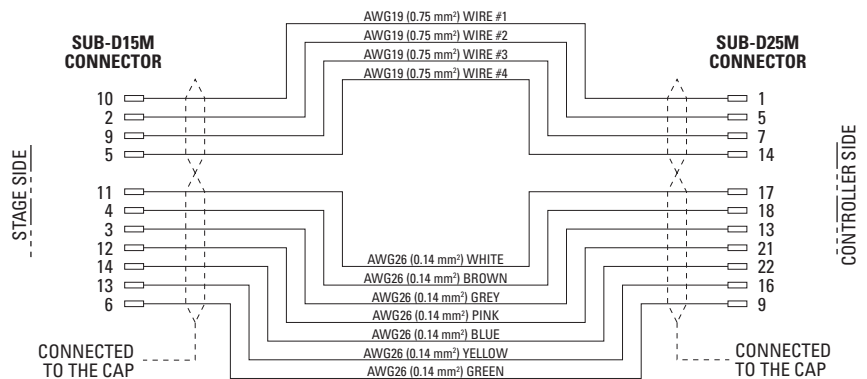
- Length: 16.4 ft (5 m)
- Connectors:
 - Stage side: SUB-D9F
 - Outer diameter: .28 in (7 mm)
 - Min. dynamic bending radius: 2.76 in (70 mm)
 - Stage side: SUB-D9M
 - Outer diameter: .28 in (7 mm)
 - Min. dynamic bending radius: 1.77 in (45 mm)
 - Controller side: SUB-D25M



3.8 E5777x: Motor, End-of-Run & Thermistor Cable



- Length: 16.4 ft (5 m)
- Connectors:
 - Stage side: SUB-D15M
 - Controller side: SUB-D25M
- Outer diameter: 2 cables .28 in (7 mm)
- Min. dynamic bending radius: 2.76 in (70 mm)



3.9 EDBCABLE-E1: End-of-Run Cable



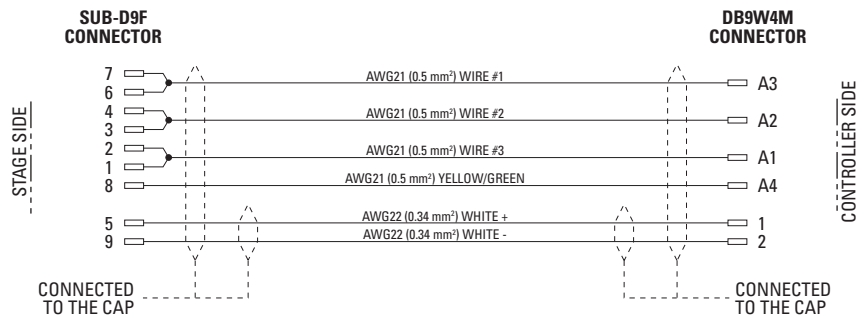
- Length: 16.4 ft (5 m)
- Connectors:
 - Stage side: SUB-D9M
 - Controller side: SUB-D9M
- Outer diameter: .24 in (6 mm)
- Min. dynamic bending radius: 1.77 in (45 mm)



3.10 EDBCABLE-M1: Motor Cable



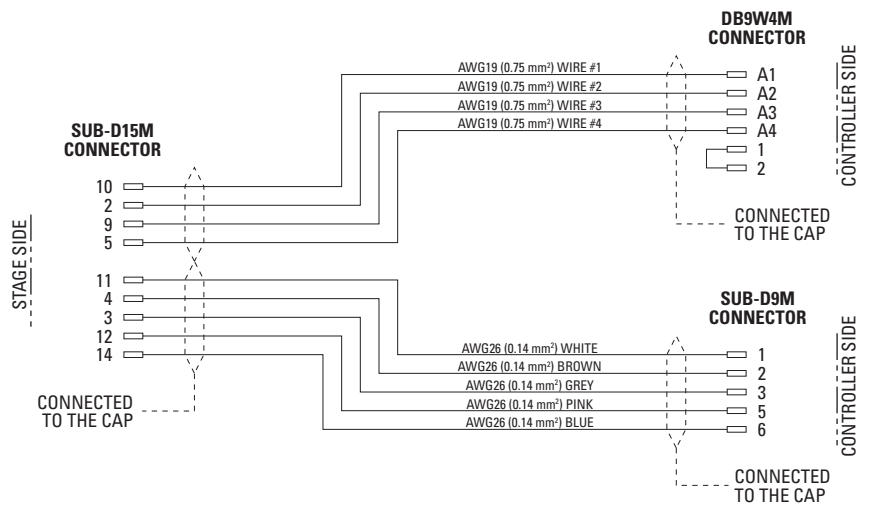
- Length: 16.4 ft (5 m)
- Connectors:
 - Stage side: SUB-D9F
 - Controller side: DB9W4M
- Outer diameter: .32 in (8.2 mm)
- Min. dynamic bending radius: 3.15 in (80 mm)



3.11 EDBCABLE-M2: Motor, End-of-Run & Thermistor Cable



- Length: 16.4 ft (5 m)
- Connectors:
 - Stage side: SUB-D15M
 - Controller side: DB9W4M
 - Outer diameter: .28 in (7 mm)
 - Min. dynamic bending radius: 2.76 in (70 mm)
 - Controller side: SUB-D9M
 - Outer diameter: .28 in (7 mm)
 - Min. dynamic bending radius: 1.77 in (45 mm)





Visit Newport Online at:
www.newport.com

North America & Asia

Newport Corporation
1791 Deere Ave.
Irvine, CA 92606, USA

Sales

Tel.: (800) 222-6440
e-mail: sales@newport.com

Technical Support

Tel.: (800) 222-6440
e-mail: tech@newport.com

Service, RMAs & Returns

Tel.: (800) 222-6440
e-mail: service@newport.com

Europe

MICRO-CONTROLE Spectra-Physics S.A.S
9, rue du Bois Sauvage
91055 Évry CEDEX
France

Sales & Technical Support

Tel.: +33 (0)1.60.91.68.68
e-mail: france@newport.com

Service & Returns

Tel.: +33 (0)2.38.40.51.55

