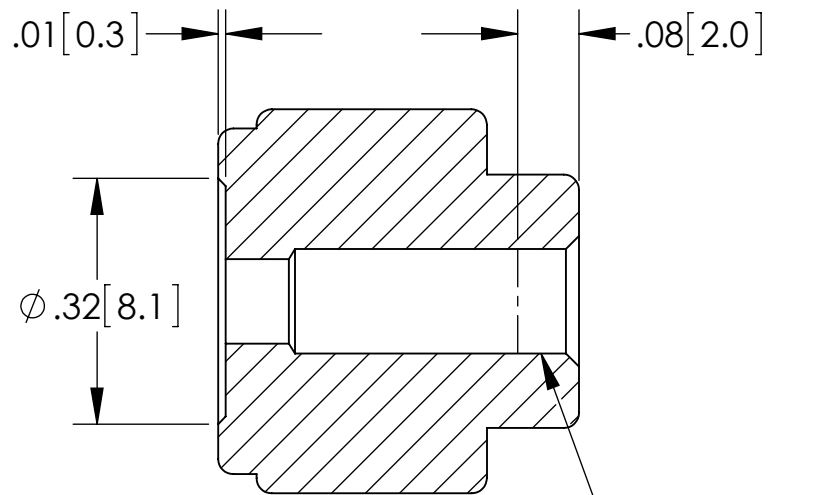


THRU HOLE $\phi .110$
FOR 5/64 [2] ALLEN WRENCH



SECTION A-A

THREAD A

SERIES	THREAD A
KN-10Q	0.250-100
KN-10E	0.164-100